



## Piezo/Pirani Gauge RPT 200 ( $1 \cdot 10^{-4}$ – 1200 hPa)

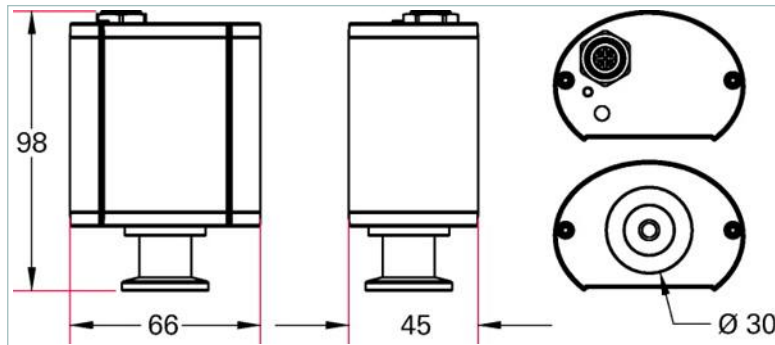
The RPT 200 gauge affords accurate measurements from high vacuum to atmospheric pressure and above. With its rugged metallic case and numerous interface options it is particularly suited for industrial applications.



### RPT 200, DN 16 ISO-KF, RS-485

- $1 \cdot 10^{-4}$  to 1200 hPa
- Combination of two sensors
- High accuracy up to atmospheric pressure
- Profibus DP Interface (optional)
- DeviceNet Interface (optional)
- Analog output and set points (optional)

#### Dimensions



DN 1 DN 16 ISO-KF

Technical Data	RPT 200, DN 16 ISO-KF, RS-485
Accuracy	$< 2 \cdot 10^{-3}$ factor 2; $2 \cdot 10^{-3}$ - 10 hPa: $\pm 10\%$ ; 10-1200 hPa: $\pm 0.3\%$ F.S.
Bakeout temperature max. at the flange	125 °C   257 °F   398 K
Flange (in)	DN 16 ISO-KF
Full scale	1200
Interface: Connection	Digital RS-485; M12 f, 5-pole
Materials in contact with media	Stainless steel, Tungsten, gold, silicon oxide, glass
Measurement range max.	1,200 hPa   900 Torr   1,200 mbar
Measurement range min.	$1 \cdot 10^{-4}$ hPa   $7.5 \cdot 10^{-5}$ Torr   $1 \cdot 10^{-4}$ mbar
Measuring cycle	10 ms
Method of measurement	Piezo/Pirani
Pressure max.	4,000 hPa   3,000 Torr   4,000 mbar
Protection category	IP 54
Repeatability: % of measurement	10-1200 hPa: $\pm 0.1\%$ F.S.; $1 \cdot 10^{-3}$ - 1 hPa: $\pm 1\%$
Seal	Metal
Sensor cable length max.	100 m
Supply: Voltage	24 V DC
Temperature: Operating	5-60 °C   41-140 °F   278-333 K
Temperature: Storage	-40-65 °C   -40-149 °F   233-338 K
Weight	195 g

#### Order number

Piezo/Pirani Gauge RPT 200 ( $1 \cdot 10^{-4}$  – 1200 hPa)

**PTR37130**

<b>Accessories</b>	
<b>Adapter and power switching components</b>	
Adapter RS-485, M12, 4-pole - D-sub socket, 9-pole, 0.2 m	<b>PT348133-T</b>
Bus termination for RS-485, M12	<b>PT348105-T</b>
Connection cable, RS-485, M12/D-sub 9-pole, 3 m	<b>PT348223-T</b>
Connector M12 to RS-485	<b>PM061270-X</b>
M12 m plug 4-pole with screw terminals RS-485	<b>PT348106-T</b>
Power separator RS-485, M12	<b>PT348132-T</b>
<b>General accessories</b>	
Interface cable, M12 m straight / M12 m straight, 3 m	<b>PM061283-T</b>
USB converter to RS-485 interface	<b>PM061207-T</b>
Y-Connector M12 to RS-485	<b>P4723010</b>
<b>Mains- and supply cables</b>	
Supply cable DigiLine, M12, 4-pole to TPS, 3 m	<b>PT348163-T</b>
<b>Power supplies, control displays and drive units</b>	
TPS 110, mains pack for wall/standard rail fitting	<b>PM061340-T</b>
TPS 111, mains pack 19" rack module 3HU	<b>PM061344-T</b>
<b>Soft- and Firmware</b>	
DokuStar Plus software, 16 channels	<b>PT882501</b>
<b>Vacuum accessories</b>	
Centering ring with poral filter, Pore size: 20 m, FPM/stainless steel, DN 16 ISO-KF	<b>PF117216-T</b>
Fine filter, pore size 4 m, DN 16 ISO-KF	<b>PT120132-T</b>

**Vacuum solutions  
from a single source**

Pfeiffer Vacuum stands for innovative and custom vacuum solutions worldwide, technological perfection, competent advice and reliable service.

**Complete range  
of products**

From a single component to complex systems: We are the only supplier of vacuum technology that provides a complete product portfolio.

**Competence in  
theory and practice**

Benefit from our know-how and our portfolio of training opportunities! We support you with your plant layout and provide first-class on-site service worldwide.

**Are you looking for a  
perfect vacuum solution?  
Please contact us:**

**Pfeiffer Vacuum GmbH**  
Headquarters · Germany  
T +49 6441 802-0  
info@pfeiffer-vacuum.de  
[www.pfeiffer-vacuum.com](http://www.pfeiffer-vacuum.com)

**BLM Synergie**  
Russia, Kolodeznyi per.3 str.26 office 212  
T +7 495 781-39-39  
vacuum@blms.ru  
[www.blms.ru](http://www.blms.ru)