



## Piezo-resistive Gauge CPT 200 (1 – 2000 hPa)

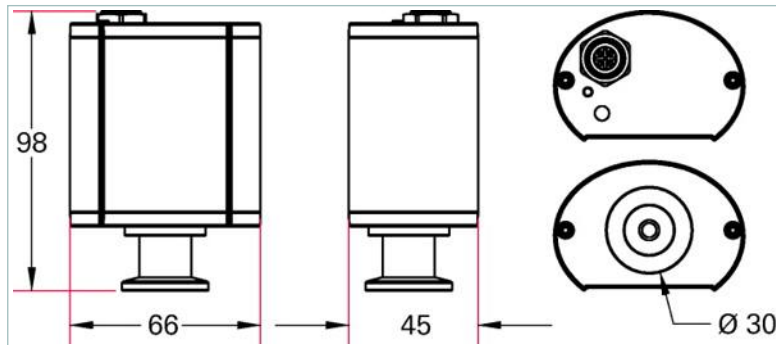
The CPT 200 gauge affords accurate measurements from vacuum to positive pressure, independently of the type of gas. With its rugged metallic case and numerous interface options it is particularly suited for industrial applications.



### CPT 200, DN 16 ISO-KF, RS-485

- 1 to 2000 hPa
- Robust sensor
- Gas type independent measurement
- Profibus DP Interface (optional)
- DeviceNet Interface (optional)
- Analog output and set points (optional)

#### Dimensions



DN 1 DN 16 ISO-KF

Technical Data	CPT 200, DN 16 ISO-KF, RS-485
Accuracy	1–1200 hPa: ± 0.1 % F.S.; >1200 hPa: ± 1 % F.S.
Bakeout temperature max. at the flange	70 °C   158 °F   343 K
Flange (in)	DN 16 ISO-KF
Full scale	2000
Interface: Connection	Digital RS-485; M12 f, 5-pole
Materials in contact with media	Ceramic, stainless steel, FPM
Measurement range max.	2,000 hPa   1,500 Torr   2,000 mbar
Measurement range min.	1 hPa   0.75 Torr   1 mbar
Measuring cycle	10 ms
Method of measurement	Diaphragm, piezoresistive (gas type independent)
Pressure max.	4,000 hPa   3,000 Torr   4,000 mbar
Protection category	IP 54
Seal	FPM
Sensor cable length max.	100 m
Supply: Voltage	24 V DC
Temperature: Operating	5-60 °C   41-140 °F   278-333 K
Temperature: Storage	-40-65 °C   -40-149 °F   233-338 K
Weight	190 g

#### Order number

Piezo-resistive Gauge CPT 200 (1 – 2000 hPa) **PTR36130**

<b>Accessories</b>	
<b>Adapter and power switching components</b>	
Adapter RS-485, M12, 4-pole - D-sub socket, 9-pole, 0.2 m	<b>PT348133-T</b>
Bus termination for RS-485, M12	<b>PT348105-T</b>
Connection cable, RS-485, M12/D-sub 9-pole, 3 m	<b>PT348223-T</b>
Connector M12 to RS-485	<b>PM061270-X</b>
M12 m plug 4-pole with screw terminals RS-485	<b>PT348106-T</b>
Power separator RS-485, M12	<b>PT348132-T</b>
<b>General accessories</b>	
Interface cable, M12 m straight / M12 m straight, 3 m	<b>PM061283-T</b>
USB converter to RS-485 interface	<b>PM061207-T</b>
Y-Connector M12 to RS-485	<b>P4723010</b>
<b>Mains- and supply cables</b>	
Supply cable DigiLine, M12, 4-pole to TPS, 3 m	<b>PT348163-T</b>
<b>Power supplies, control displays and drive units</b>	
TPS 110, mains pack for wall/standard rail fitting	<b>PM061340-T</b>
TPS 111, mains pack 19" rack module 3HU	<b>PM061344-T</b>
<b>Soft- and Firmware</b>	
DokuStar Plus software, 16 channels	<b>PT882501</b>
<b>Vacuum accessories</b>	
Centering ring with poral filter, Pore size: 20 m, FPM/stainless steel, DN 16 ISO-KF	<b>PF117216-T</b>
Fine filter, pore size 4 m, DN 16 ISO-KF	<b>PT120132-T</b>

**Vacuum solutions  
from a single source**

Pfeiffer Vacuum stands for innovative and custom vacuum solutions worldwide, technological perfection, competent advice and reliable service.

**Complete range  
of products**

From a single component to complex systems: We are the only supplier of vacuum technology that provides a complete product portfolio.

**Competence in  
theory and practice**

Benefit from our know-how and our portfolio of training opportunities! We support you with your plant layout and provide first-class on-site service worldwide.

**Are you looking for a  
perfect vacuum solution?  
Please contact us:**

**Pfeiffer Vacuum GmbH**  
Headquarters · Germany  
T +49 6441 802-0  
info@pfeiffer-vacuum.de  
[www.pfeiffer-vacuum.com](http://www.pfeiffer-vacuum.com)

**BLM Synergie**  
Russia, Kolodeznyi per.3 str.26 office 212  
T +7 495 781-39-39  
vacuum@blms.ru  
[www.blms.ru](http://www.blms.ru)