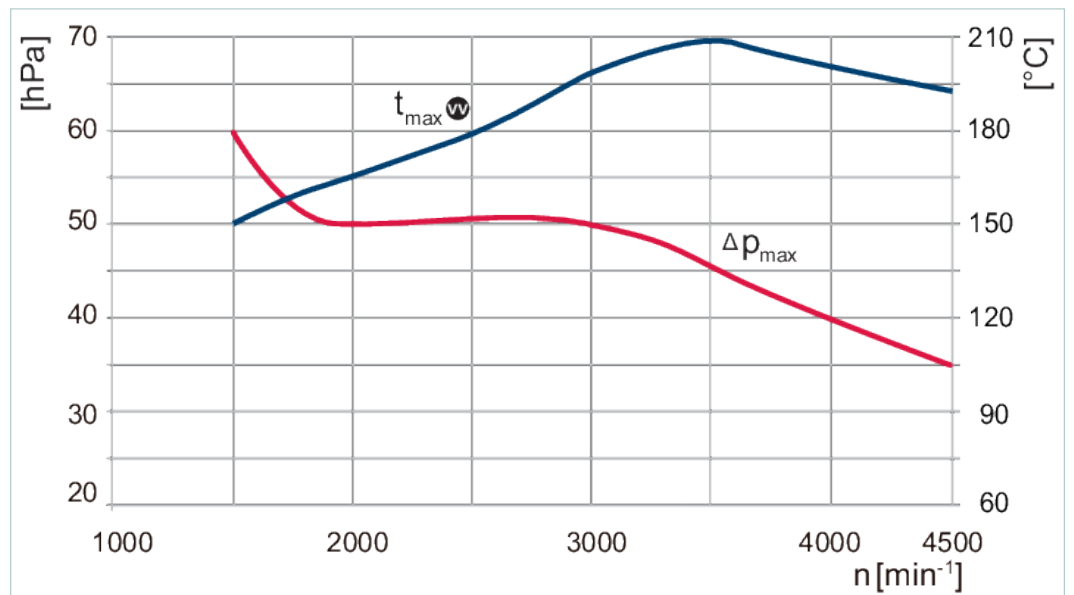
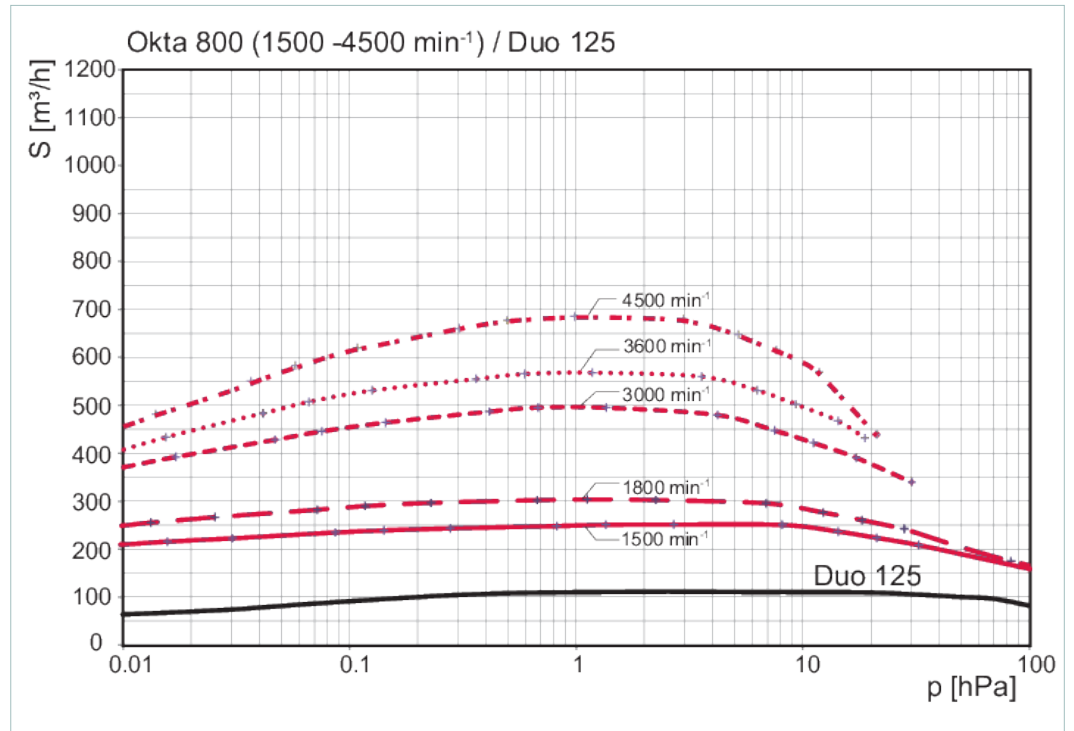




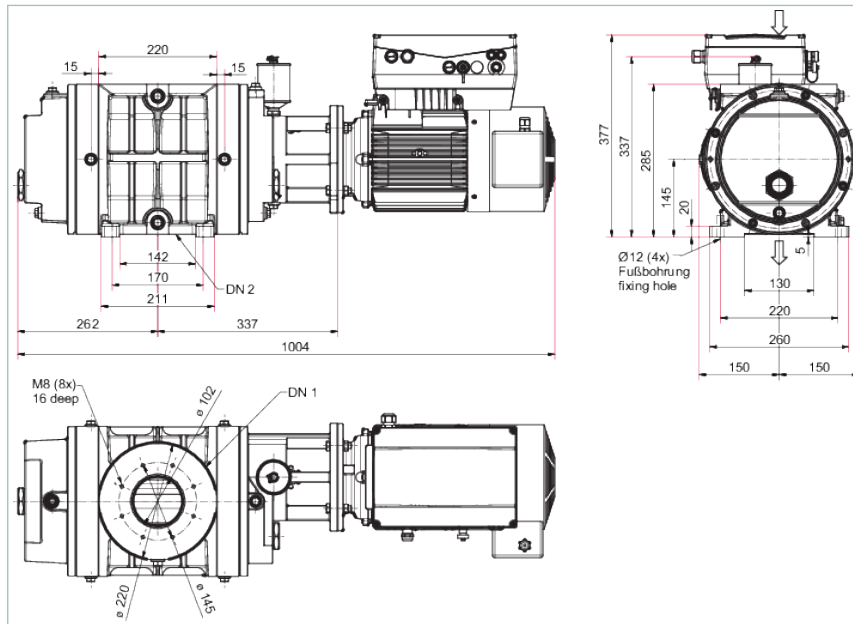
Okta 800, Roots pump, 400–480 V

Okta 800, Roots pump, 400–480 V

- High-performance roots vacuum pump with a pumping speed of 290 to 870 m³/h and magnetic coupling
- With 3-phase motor, IE3, and flanged-on frequency inverter



Dimensions



A	1004 mm
B	337 mm
C	377 mm
D	150 mm

Technical Data	Okta 800, Roots pump, 400–480 V
Ambient temperature	5-40 °C 41-104 °F 278-313 K
Cooling method, standard	Air
Differential pressure max.	60 – 35 hPa
Dimensions (L x W x H)	1,004 x 300 x 377 mm 39.53 x 11.81 x 14.84 inch
Emission sound pressure level (EN ISO 2151) at intake pressure 10 hPa	75 dB(A)
Emission sound pressure level (EN ISO 2151) at intake pressure 1 hPa	74 dB(A)
Flange (in)	DN 100 ISO-F
Flange (out)	DN 100 ISO-F
I/O interfaces	RS232/RS485
Leak rate	1 · 10 ⁻³ Pa m ³ /s 7.5 · 10 ⁻³ Torr l/s 1 · 10 ⁻² mbar l/s
Mains requirement: voltage 50 Hz	400 – 480 V
Mains requirement: voltage 60 Hz	400 – 480 V
Motor protection	3TF
Nominal pumping speed	290-870 m ³ /h 170.69-512.08 cfm 4,833.33-14,500 l/min
Nominal pumping speed at 50 Hz	580 m ³ /h 341.39 cfm 9,666.67 l/min
Nominal pumping speed at 60 Hz	700 m ³ /h 412.02 cfm 11,666.67 l/min
Nominal pumping speed max.	870 m ³ /h 512.08 cfm 14,500 l/min
Nominal pumping speed min.	290 m ³ /h 170.69 cfm 4,833.33 l/min
Nominal rotation speed at 50 Hz	3,000 rpm 3,000 min ⁻¹
Nominal rotation speed at 60 Hz	3,600 rpm 3,600 min ⁻¹
Operating fluid	P3
Operating fluid filling	1.5 l
Protection category	IP55
Rated power 50 Hz	3 kW
Rated power 60 Hz	3 kW
Rotation speed	1,500-4,500 rpm 1,500-4,500 min ⁻¹
Version	Standard with compact drive
Voltage: Range	±10 %
Weight: with motor	138 kg 304.23 lb

Order number

Okta 800

PP W34 400

Accessories	
Flanges/Ports Blank flanges	
Blank flange set for Okta 300/M Okta 500/M Okta 600/M Okta 800/M, Stainless steel	PP 042 664 -T
Blank flange set for Okta 300/M Okta 500/M Okta 600/M Okta 800/M, DN ISO-K (stainless steel)	PP 042 665 -T
Blank flange set for Okta 300/M Okta 500/M/ATEX Okta 600/M Okta 800/M, DN PN16, (stainless steel)	PP 042 666 -T
Monitoring Oil/Operating fluid level monitoring	
Oil level monitoring 20–250 V AC for Okta 250/M Okta 300/M Okta 500/M Okta 600/M Okta 800/M Okta 1000/M Okta 2000/M Okta 4000/M Okta 6000/M, G 1 ¼	PK 004 930 -U
Oil level monitoring 24 V DC for Okta 250/M Okta 300/M Okta 500/M Okta 600/M Okta 800/M Okta 1000/M Okta 2000/M Okta 4000/M Okta 6000/M, G 1 ¼	PK 005 639 -U
Monitoring Oil compensating lines with oil level monitoring	
Oil compensating line with oil level monitoring for Okta 500/M, G 3/8 (4x), G 1 ¼ (1x)	PP 031 446 -T
Mounting Adjusting elements for fastening the feet	
Setting elements for foot mounting for Okta 250/M Okta 300/M Okta 500/M Okta 600/M Okta 800/M Okta 1000/M, 35 mm	PP 041 454 -T
Mounting Claw sets DN ISO-K	
Claw set for Okta 300/M Okta 500/M Okta 600/M Okta 800/M, DN ISO-K, Stainless steel	PP 042 660 -T
Claw set for Okta 300/M Okta 500/M Okta 600/M Okta 800/M, DN ISO-K, zinc-plated steel	PP 042 662 -T
Mounting Screw sets	
Screw set for Okta 300/M Okta 500/M Okta 600/M Okta 800/M, DN ISO-F, zinc-plated steel	PP 042 645 -T
Screw set for Okta 300/M Okta 500/M Okta 600/M Okta 800/M, DN ISO-F, stainless steel	PP 042 655 -T
Screw set for Okta 300/M Okta 500/M/ATEX Okta 600/M Okta 800/M, DN PN16, Zinc-plated Steel	PP 042 663 -T
Mounting Sealing kits	
Centering ring with outer ring for vacuum flange for Okta 300/M Okta 500/M Okta 500 G Okta 600/M Okta 800/M Okta 1000/M Okta 2000/M, DN ISO-F	PF 303 110 -T
Seal Kit (FKM) for Okta 300/M Okta 500/M/ATEX Okta 600/M Okta 800/M, DN PN16	PP 042 667 -T
Protection Flushing devices	
Sprayer DN ISO-F for Okta 300/M Okta 500/M Okta 600/M Okta 800/M Okta 500 G	PP 042 649 -T
Sprayer DN PN16/PN10 for Okta 300/M Okta 500/M Okta 600/M Okta 800/M	PP 042 650 -T
Protection Sealing gas kits	
Sealing gas kit (plastic tube) for Okta 250/M Okta 300/M Okta 500/M Okta 600/M Okta 800/M Okta 1000/M Okta 2000/M Okta 4000/M Okta 6000/M Okta 8000 Okta 1500 G Okta 4000 G Okta 8000 G, G 3/8 (4x)	PP 027 401 -T

Accessories	
Protection Splinter shields	
Splinter shield for Okta 300/M Okta 500/M Okta 600/M Okta 800/M Okta 500 G	PP 030 149 AX
Splinter shield for Okta 300/M / Okta 500/M Okta 600/M Okta 800/M	PP 042 350 -X
Consumables	
P3, mineral oil, 5 l	PK 001 107 -T
P3, mineral oil, 20 l	PK 001 108 -T
P3, mineral oil, 0.5 l	PK 001 136 -T

VACUUM SOLUTIONS FROM A SINGLE SOURCE

Pfeiffer Vacuum stands for innovative and custom vacuum solutions worldwide, technological perfection, competent advice and reliable service.

COMPLETE RANGE OF PRODUCTS

From a single component to complex systems:

We are the only supplier of vacuum technology that provides a complete product portfolio.

COMPETENCE IN THEORY AND PRACTICE

Benefit from our know-how and our portfolio of training opportunities!

We support you with your plant layout and provide first-class on-site service worldwide.

Are you looking for a
perfect vacuum solution?
Please contact us:

Pfeiffer Vacuum GmbH
Headquarters · Germany
T +49 6441 802-0
info@pfeiffer-vacuum.de

www.pfeiffer-vacuum.com

All data subject to change without prior notice.

PFEIFFER  **VACUUM**