



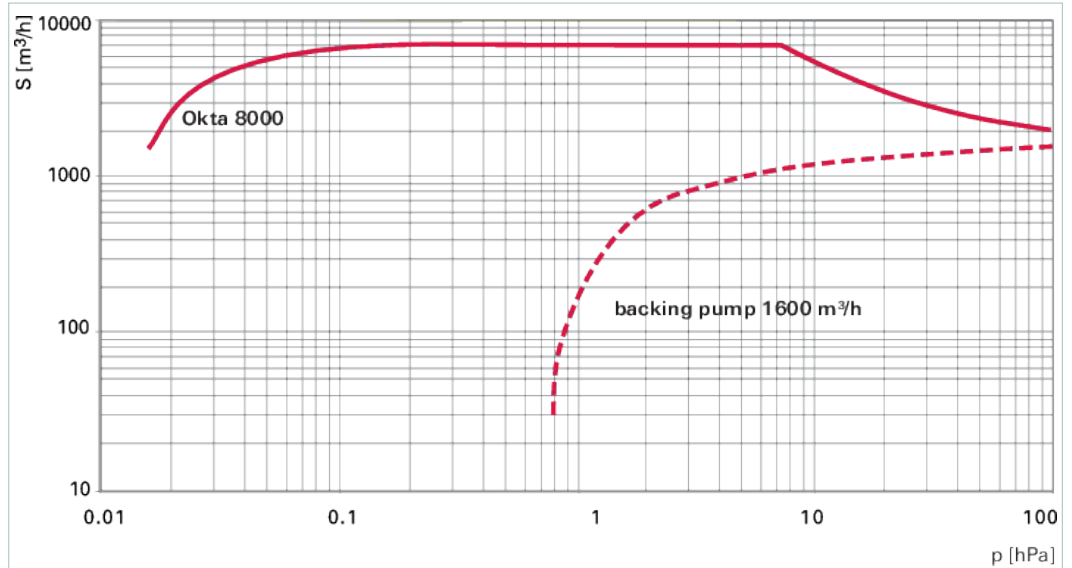
# Okta 8000, Roots pump without motor



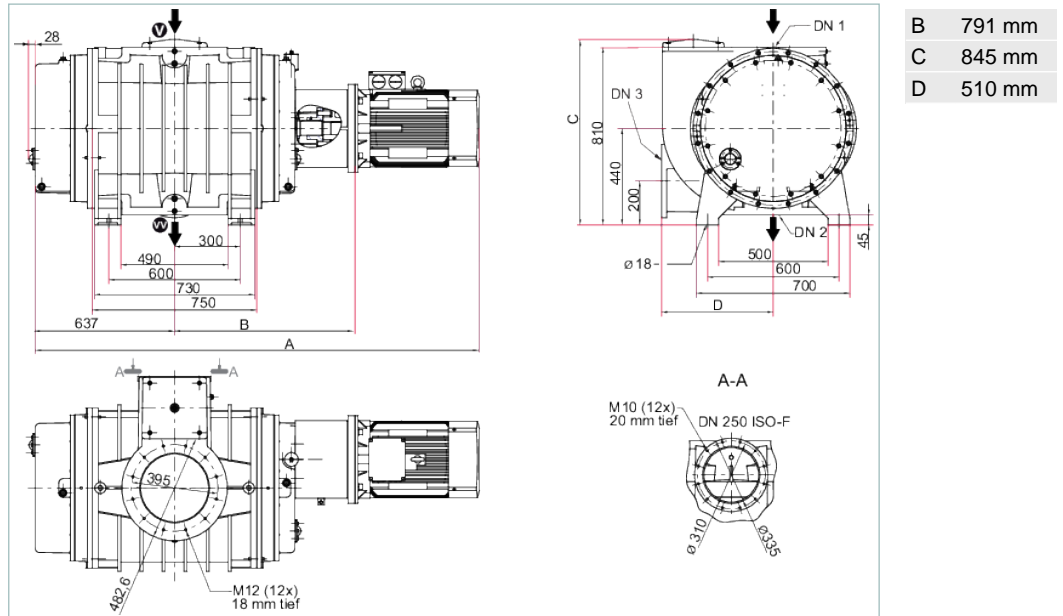
Similar Image

## Okta 8000, Roots pump without motor

- High-performance Roots pump with a pumping speed of 3350 to 12550 m<sup>3</sup>/h
- Without motor (coupling and motor lantern are included in delivery)
- No thermal overload thanks to integral overflow valve
- For applications in the low and medium vacuum



### Dimensions



### Technical Data

### Okta 8000, Roots pump without motor

Ambient temperature	5-40 °C   41-104 °F   278-313 K
Cooling method, standard	Air
Differential pressure at the overflow valve	23 hPa   17.25 Torr   23 mbar
Differential pressure max.	23 hPa
Dimensions (L x W x H)	1,458 x 860 x 845 mm   57.4 x 33.86 x 33.27 inch

Technical Data	Okta 8000, Roots pump without motor
Emission sound pressure level (EN ISO 2151) at intake pressure 10 hPa	78 dB(A)
Emission sound pressure level (EN ISO 2151) at intake pressure 1 hPa	74 dB(A)
Flange (in)	DN 320 ISO-F
Flange (out)	DN 320 ISO-F
Leak rate	$1 \cdot 10^{-3}$ Pa m <sup>3</sup> /s   $7.5 \cdot 10^{-3}$ Torr l/s   $1 \cdot 10^{-2}$ mbar l/s
Nominal pumping speed	3,350-12,550 m <sup>3</sup> /h   1,971.81-7,386.93 cfm   55,833.33-209,166.67 l/min
Nominal pumping speed at 50 Hz	8,370 m <sup>3</sup> /h   4,926.58 cfm   139,500 l/min
Nominal pumping speed at 60 Hz	10,040 m <sup>3</sup> /h   5,909.54 cfm   167,333.33 l/min
Nominal pumping speed max.	12,550 m <sup>3</sup> /h   7,386.93 cfm   209,166.67 l/min
Nominal pumping speed min.	3,350 m <sup>3</sup> /h   1,971.81 cfm   55,833.33 l/min
Nominal rotation speed at 50 Hz	1,500 rpm   1,500 min <sup>-1</sup>
Nominal rotation speed at 60 Hz	1,800 rpm   1,800 min <sup>-1</sup>
Operating fluid	P3
Operating fluid filling	21 l
Protection category	IP55
Rotation speed	1,200-2,250 rpm   1,200-2,250 min <sup>-1</sup>
Version	Standard without motor
Weight: without motor	1,430 kg   3,152.58 lb

Order number	
Okta 8000	PP W80 001

<b>Accessories</b>	
<b>Control Devices Frequency converters</b>	
Frequency converter Okta 8000 installed in the control cabinet	<b>PP 078 312 -T</b>
<b>Cooling Finned tube coolers</b>	
Finned tube cooler for Okta 8000   Okta 4000 G   Okta 8000 G, G 3/8 (2x)	<b>PP 047 289 -T</b>
<b>Flanges/Ports Blank flanges</b>	
Blank flange set for Okta 8000, Cast iron	<b>PP 047 449 -T</b>
Blank flange set for Okta 8000, DN ISO-K (stainless steel)	<b>PP 047 450 -T</b>
<b>Monitoring Temperature sensors</b>	
Temperature Sensor for Okta 8000  18000   Okta 8000 G, G 3/8	<b>PP 048 156 -T</b>
<b>Mounting Adjusting elements for fastening the feet</b>	
Setting elements for foot mounting for Okta 8000   Okta 8000 G, 35 mm + 10 mm ***	<b>PP 047 451 -T</b>
<b>Mounting Claw sets DN ISO-K</b>	
Claw set for Okta 8000, DN ISO-K, Stainless steel	<b>PP 047 446 -T</b>
Claw Set for Okta 8000 , DN ISO-K, Zinc-Plated Steel	<b>PP 047 447 -T</b>
Claw Set for Okta 8000, DN ISO-K, Zinc-Plated Steel	<b>PP 047 448 -T</b>
<b>Mounting Screw sets</b>	
Screw Set for Okta 8000, DN ISO-F, Zinc-Plated Steel	<b>PP 047 438 -T</b>
Screw Set for Okta 8000, DN ISO-F, Stainless steel	<b>PP 047 439 -T</b>
<b>Mounting Sealing kits</b>	
Centering Ring with Outer Ring for Vacuum Flange and Fore-Vacuum Flange for Okta 8000, DN ISO-F	<b>PF 303 132 -T</b>
<b>Protection Flushing devices</b>	
Sprayer DN ISO-F for Okta 8000	<b>PP 047 435 -T</b>
<b>Protection Sealing gas kits</b>	
Sealing gas kit (plastic tube) for Okta 250/M   Okta 300/M   Okta 500/M   Okta 600/M   Okta 800/M   Okta 1000/M   Okta 2000/M   Okta 4000/M   Okta 6000/M   Okta 8000   Okta 1500 G   Okta 4000 G   Okta 8000 G, G 3/8 (4x)	<b>PP 027 401 -T</b>
<b>Protection Splinter shields</b>	
Splinter shield for Okta 8000	<b>PP 030 152 -X</b>
Splinter shield for Okta 8000 G	<b>PP 070 315 -U</b>
<b>Consumables</b>	
P3, mineral oil, 1 l	<b>PK 001 106 -T</b>
P3, mineral oil, 20 l	<b>PK 001 108 -T</b>

## **VACUUM SOLUTIONS FROM A SINGLE SOURCE**

Pfeiffer Vacuum stands for innovative and custom vacuum solutions worldwide, technological perfection, competent advice and reliable service.

## **COMPLETE RANGE OF PRODUCTS**

From a single component to complex systems:

We are the only supplier of vacuum technology that provides a complete product portfolio.

## **COMPETENCE IN THEORY AND PRACTICE**

Benefit from our know-how and our portfolio of training opportunities!

We support you with your plant layout and provide first-class on-site service worldwide.

Are you looking for a  
perfect vacuum solution?  
Please contact us:

**Pfeiffer Vacuum GmbH**  
Headquarters · Germany  
T +49 6441 802-0  
info@pfeiffer-vacuum.de

[www.pfeiffer-vacuum.com](http://www.pfeiffer-vacuum.com)

All data subject to change without prior notice.

**PFEIFFER**  **VACUUM**