



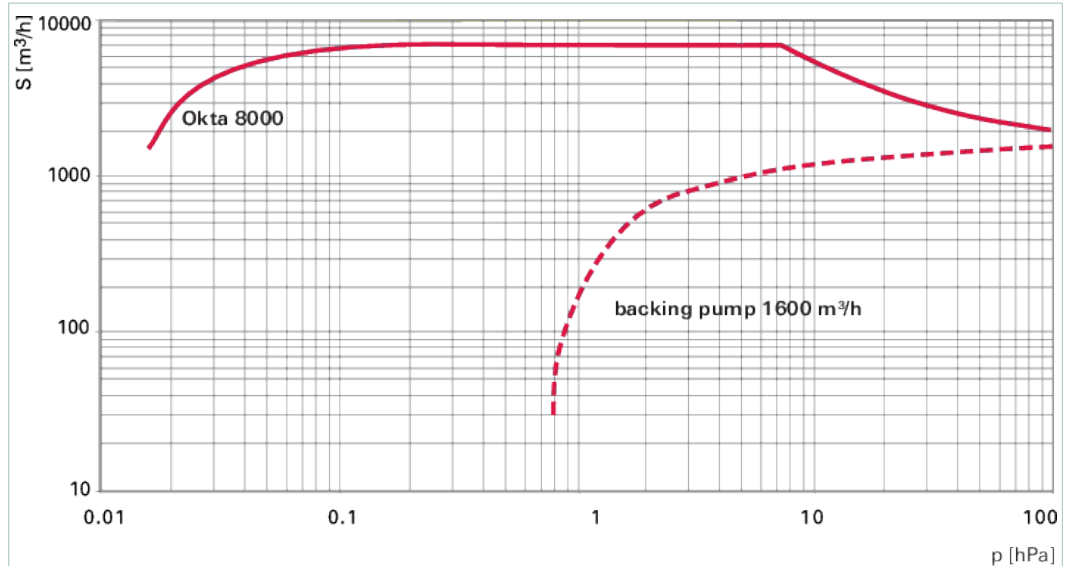
Okta 8000, Roots pump without motor



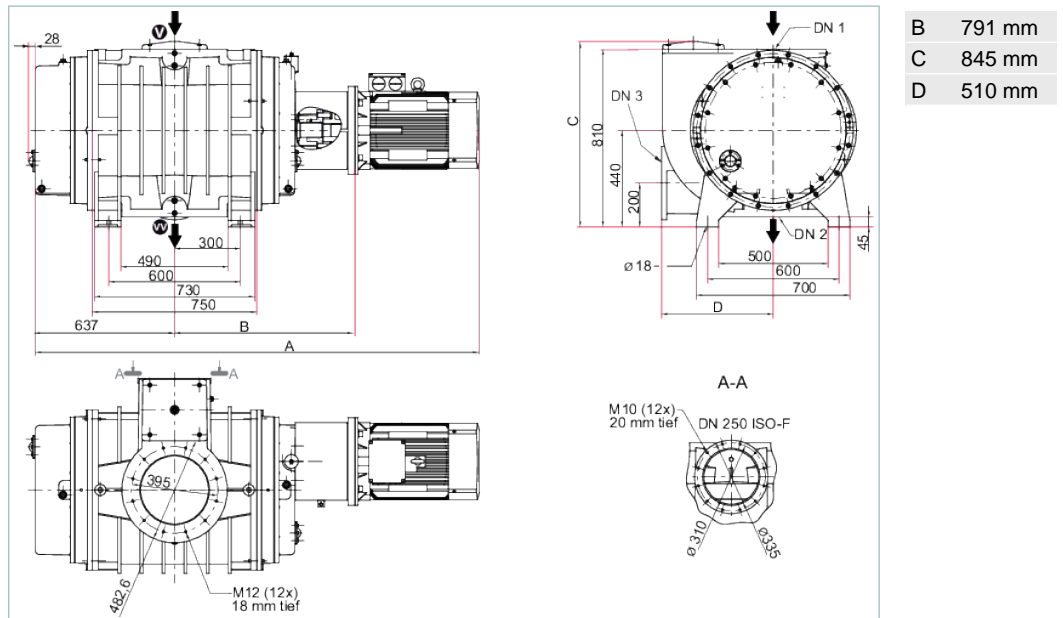
Similar Image

Okta 8000, Roots pump without motor

- High-performance Roots pump with a pumping speed of 3350 to 12550 m³/h
- Without motor (coupling and motor lantern are included in delivery)
- No thermal overload thanks to integral overflow valve
- For applications in the low and medium vacuum



Dimensions



Technical Data	Okta 8000, Roots pump without motor
Ambient temperature	5-40 °C 41-104 °F 278-313 K
Cooling method, standard	Air
Differential pressure at the overflow valve	23 hPa 17.25 Torr 23 mbar
Differential pressure max.	23 hPa
Dimensions (L x W x H)	1,458 x 860 x 845 mm 57.4 x 33.86 x 33.27 inch

Technical Data	Okta 8000, Roots pump without motor
Emission sound pressure level (EN ISO 2151) at intake pressure 10 hPa	78 dB(A)
Emission sound pressure level (EN ISO 2151) at intake pressure 1 hPa	74 dB(A)
Flange (in)	DN 320 ISO-F
Flange (out)	DN 320 ISO-F
Leak rate	$1 \cdot 10^{-3}$ Pa m ³ /s $7.5 \cdot 10^{-3}$ Torr l/s $1 \cdot 10^{-2}$ mbar l/s
Nominal pumping speed	3,350-12,550 m ³ /h 1,971.81-7,386.93 cfm 55,833.33-209,166.67 l/min
Nominal pumping speed at 50 Hz	8,370 m ³ /h 4,926.58 cfm 139,500 l/min
Nominal pumping speed at 60 Hz	10,040 m ³ /h 5,909.54 cfm 167,333.33 l/min
Nominal pumping speed max.	12,550 m ³ /h 7,386.93 cfm 209,166.67 l/min
Nominal pumping speed min.	3,350 m ³ /h 1,971.81 cfm 55,833.33 l/min
Nominal rotation speed at 50 Hz	1,500 rpm 1,500 min ⁻¹
Nominal rotation speed at 60 Hz	1,800 rpm 1,800 min ⁻¹
Operating fluid	P3
Operating fluid filling	21 l
Protection category	IP55
Rotation speed	1,200-2,250 rpm 1,200-2,250 min ⁻¹
Version	Standard without motor
Weight: without motor	1,430 kg 3,152.58 lb

Order number	
Okta 8000	PP W80 001

Accessories	
Control Devices Frequency converters	
Frequency converter Okta 8000 installed in the control cabinet	PP 078 312 -T
Cooling Finned tube coolers	
Finned tube cooler for Okta 8000 Okta 4000 G Okta 8000 G, G 3/8 (2x)	PP 047 289 -T
Flanges/Ports Blank flanges	
Blank flange set for Okta 8000, Cast iron	PP 047 449 -T
Blank flange set for Okta 8000, DN ISO-K (stainless steel)	PP 047 450 -T
Monitoring Temperature sensors	
Temperature Sensor for Okta 8000 18000 Okta 8000 G, G 3/8	PP 048 156 -T
Mounting Adjusting elements for fastening the feet	
Setting elements for foot mounting for Okta 8000 Okta 8000 G, 35 mm + 10 mm ***	PP 047 451 -T
Mounting Claw sets DN ISO-K	
Claw set for Okta 8000, DN ISO-K, Stainless steel	PP 047 446 -T
Claw Set for Okta 8000 , DN ISO-K, Zinc-Plated Steel	PP 047 447 -T
Claw Set for Okta 8000, DN ISO-K, Zinc-Plated Steel	PP 047 448 -T
Mounting Screw sets	
Screw Set for Okta 8000, DN ISO-F, Zinc-Plated Steel	PP 047 438 -T
Screw Set for Okta 8000, DN ISO-F, Stainless steel	PP 047 439 -T
Mounting Sealing kits	
Centering Ring with Outer Ring for Vacuum Flange and Fore-Vacuum Flange for Okta 8000, DN ISO-F	PF 303 132 -T
Protection Flushing devices	
Sprayer DN ISO-F for Okta 8000	PP 047 435 -T
Protection Sealing gas kits	
Sealing gas kit (plastic tube) for Okta 250/M Okta 300/M Okta 500/M Okta 600/M Okta 800/M Okta 1000/M Okta 2000/M Okta 4000/M Okta 6000/M Okta 8000 Okta 1500 G Okta 4000 G Okta 8000 G, G 3/8 (4x)	PP 027 401 -T
Protection Splinter shields	
Splinter shield for Okta 8000	PP 030 152 -X
Splinter shield for Okta 8000 G	PP 070 315 -U
Consumables	
P3, mineral oil, 1 l	PK 001 106 -T
P3, mineral oil, 20 l	PK 001 108 -T

VACUUM SOLUTIONS FROM A SINGLE SOURCE

Pfeiffer Vacuum stands for innovative and custom vacuum solutions worldwide, technological perfection, competent advice and reliable service.

COMPLETE RANGE OF PRODUCTS

From a single component to complex systems:

We are the only supplier of vacuum technology that provides a complete product portfolio.

COMPETENCE IN THEORY AND PRACTICE

Benefit from our know-how and our portfolio of training opportunities!

We support you with your plant layout and provide first-class on-site service worldwide.

Are you looking for a
perfect vacuum solution?
Please contact us:

Pfeiffer Vacuum GmbH
Headquarters · Germany
T +49 6441 802-0
info@pfeiffer-vacuum.de

www.pfeiffer-vacuum.com

All data subject to change without prior notice.

PFEIFFER  **VACUUM**