



# Okta 600, Roots pump, without motor

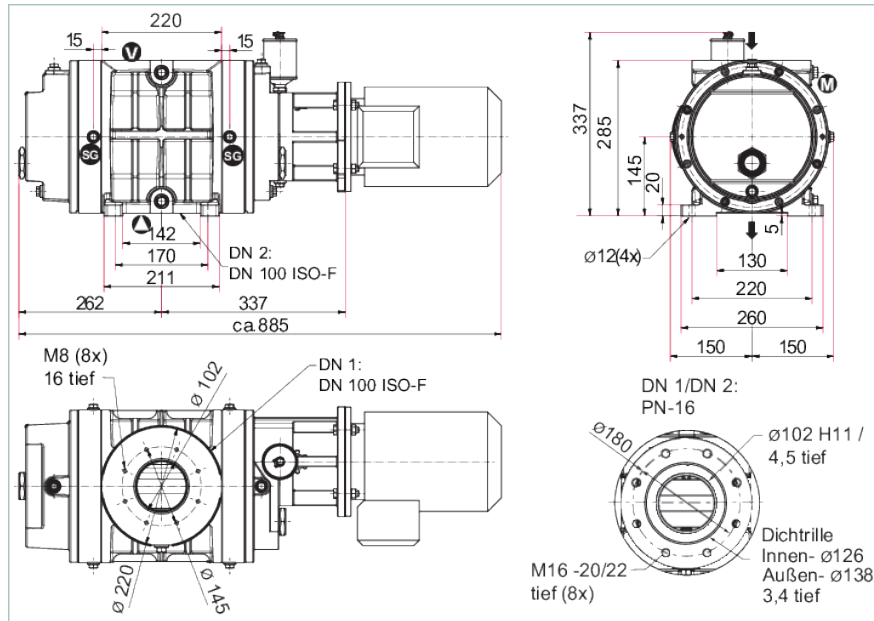


Similar Image

## Okta 600, Roots pump, without motor

- High-performance roots vacuum pump with a pumping speed of 290 to 870 m<sup>3</sup>/h and magnetic coupling
- Without motor (coupling and motor lantern are included in delivery)

### Dimensions



|   |        |
|---|--------|
| B | 337 mm |
| C | 337 mm |
| D | 150 mm |

### Technical Data

| Technical Data   | Okta 600, Roots pump, without motor  |
|--|--|
| Ambient temperature  | 5-40 °C   41-104 °F   278-313 K  |
| Cooling method, standard   | Air  |
| Dimensions (L x W x H)   | 599 x 300 x 337 mm  <br>23.58 x 11.81 x 13.27 inch   |
| Emission sound pressure level (EN ISO 2151)<br>at intake pressure 10 hPa | 75 dB(A)   |
| Emission sound pressure level (EN ISO 2151)<br>at intake pressure 1 hPa  | 70 dB(A)   |
| Flange (in)  | DN 100 ISO-F   |
| Flange (out)   | DN 100 ISO-F   |
| Leak rate  | 1 · 10 <sup>-3</sup> Pa m <sup>3</sup> /s   7.5 · 10 <sup>-3</sup> Torr l/s  <br>1 · 10 <sup>-2</sup> mbar l/s |
| Nominal pumping speed  | 290-870 m <sup>3</sup> /h   170.69-512.08 cfm  <br>4,833.33-14,500 l/min                                       |
| Nominal pumping speed at 50 Hz   | 580 m <sup>3</sup> /h   341.39 cfm   9,666.67 l/min  |
| Nominal pumping speed at 60 Hz   | 700 m <sup>3</sup> /h   412.02 cfm   11,666.67 l/min   |
| Nominal pumping speed max.   | 870 m <sup>3</sup> /h   512.08 cfm   14,500 l/min  |
| Nominal pumping speed min.   | 290 m <sup>3</sup> /h   170.69 cfm   4,833.33 l/min  |
| Nominal rotation speed at 50 Hz  | 3,000 rpm   3,000 min <sup>-1</sup>  |
| Nominal rotation speed at 60 Hz  | 3,600 rpm   3,600 min <sup>-1</sup>  |
| Operating fluid  | P3   |
| Operating fluid filling  | 1.5 l  |
| Protection category  | IP55   |
| Rotation speed   | 1,500-4,500 rpm   1,500-4,500 min <sup>-1</sup>  |
| Version  | Standard without motor   |
| Weight: without motor  | 120 kg   264.55 lb   |

|                     |                   |
|---------------------|-------------------|
| <b>Order number</b> |                   |
| Okta 600            | <b>PP W34 001</b> |

| Accessories   |               |
|---|---------------|
| <b>Control Devices Frequency converters</b>   |               |
| Frequency converter Okta 500/M   Okta 600/M installed in the control cabinet  | PP 078 296 -T |
| <b>Flanges/Ports Blank flanges</b>  |               |
| Blank flange set for Okta 300/M   Okta 500/M   Okta 600/M   Okta 800/M, Stainless steel   | PP 042 664 -T |
| Blank flange set for Okta 300/M   Okta 500/M   Okta 600/M   Okta 800/M, DN ISO-K (stainless steel)  | PP 042 665 -T |
| Blank flange set for Okta 300/M   Okta 500/M/ATEX   Okta 600/M   Okta 800/M, DN PN16, (stainless steel)   | PP 042 666 -T |
| <b>Monitoring Oil/Operating fluid level monitoring</b>  |               |
| Oil level monitoring 20–250 V AC for Okta 250/M   Okta 300/M   Okta 500/M   Okta 600/M   Okta 800/M   Okta 1000/M   Okta 2000/M   Okta 4000/M   Okta 6000/M, G 1 ¼  | PK 004 930 -U |
| Oil level monitoring 24 V DC for Okta 250/M   Okta 300/M   Okta 500/M   Okta 600/M   Okta 800/M   Okta 1000/M   Okta 2000/M   Okta 4000/M   Okta 6000/M, G 1 ¼  | PK 005 639 -U |
| <b>Mounting Adjusting elements for fastening the feet</b>   |               |
| Setting elements for foot mounting for Okta 250/M   Okta 300/M   Okta 500/M   Okta 600/M   Okta 800/M   Okta 1000/M, 35 mm  | PP 041 454 -T |
| <b>Mounting Claw sets DN ISO-K</b>  |               |
| Claw set for Okta 300/M   Okta 500/M   Okta 600/M   Okta 800/M, DN ISO-K, Stainless steel   | PP 042 660 -T |
| Claw set for Okta 300/M   Okta 500/M   Okta 600/M   Okta 800/M, DN ISO-K, zinc-plated steel   | PP 042 662 -T |
| <b>Mounting Screw sets</b>  |               |
| Screw set for Okta 300/M   Okta 500/M   Okta 600/M   Okta 800/M, DN ISO-F, zinc-plated steel  | PP 042 645 -T |
| Screw set for Okta 300/M   Okta 500/M   Okta 600/M   Okta 800/M, DN ISO-F, stainless steel  | PP 042 655 -T |
| Screw set for Okta 300/M   Okta 500/M/ATEX   Okta 600/M   Okta 800/M, DN PN16, Zinc-plated Steel  | PP 042 663 -T |
| <b>Mounting Sealing kits</b>  |               |
| Centering ring with outer ring for vacuum flange for Okta 300/M   Okta 500/M   Okta 500 G   Okta 600/M   Okta 800/M   Okta 1000/M   Okta 2000/M, DN ISO-F   | PF 303 110 -T |
| Seal Kit (FKM) for Okta 300/M   Okta 500/M/ATEX   Okta 600/M   Okta 800/M, DN PN16  | PP 042 667 -T |
| <b>Protection Flushing devices</b>  |               |
| Sprayer DN ISO-F for Okta 300/M   Okta 500/M   Okta 600/M   Okta 800/M   Okta 500 G   | PP 042 649 -T |
| Sprayer DN PN16/PN10 for Okta 300/M   Okta 500/M   Okta 600/M   Okta 800/M  | PP 042 650 -T |
| <b>Protection Sealing gas kits</b>  |               |
| Sealing gas kit (plastic tube) for Okta 250/M   Okta 300/M   Okta 500/M   Okta 600/M   Okta 800/M   Okta 1000/M   Okta 2000/M   Okta 4000/M   Okta 6000/M   Okta 8000   Okta 1500 G   Okta 4000 G   Okta 8000 G, G 3/8 (4x) | PP 027 401 -T |

| Accessories  |                      |
|--|----------------------|
| <b>Protection Splinter shields</b>   |                      |
| Splinter shield for Okta 300/M   Okta 500/M   Okta 600/M   Okta 800/M   Okta 500 G | <b>PP 030 149 AX</b> |
| Splinter shield for Okta 300/M / Okta 500/M   Okta 600/M   Okta 800/M              | <b>PP 042 350 -X</b> |

## **VACUUM SOLUTIONS FROM A SINGLE SOURCE**

Pfeiffer Vacuum stands for innovative and custom vacuum solutions worldwide, technological perfection, competent advice and reliable service.

## **COMPLETE RANGE OF PRODUCTS**

From a single component to complex systems:

We are the only supplier of vacuum technology that provides a complete product portfolio.

## **COMPETENCE IN THEORY AND PRACTICE**

Benefit from our know-how and our portfolio of training opportunities!

We support you with your plant layout and provide first-class on-site service worldwide.

Are you looking for a  
perfect vacuum solution?  
Please contact us:

**Pfeiffer Vacuum GmbH**  
Headquarters · Germany  
T +49 6441 802-0  
info@pfeiffer-vacuum.de

[www.pfeiffer-vacuum.com](http://www.pfeiffer-vacuum.com)

All data subject to change without prior notice.

**PFEIFFER**  **VACUUM**