



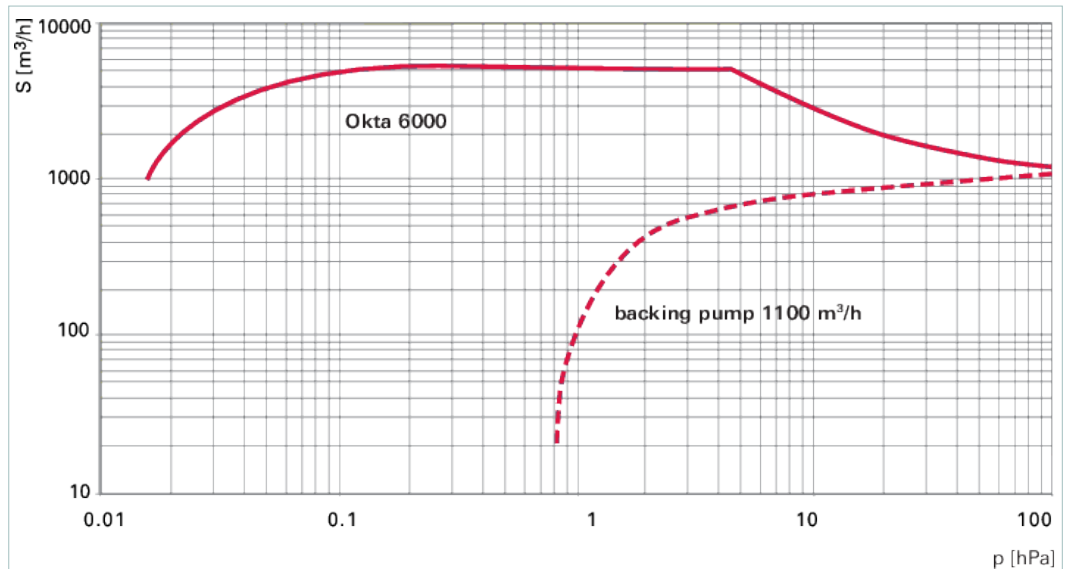
Okta 6000, Roots pump without motor



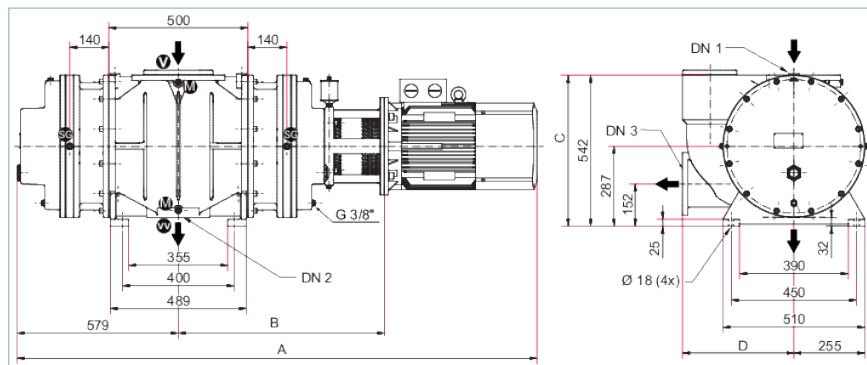
Similar Image

Okta 6000, Roots pump without motor

- High-performance Roots pump with a pumping speed of 3240 to 9730 m³/h
- Without motor (coupling and motor lantern are included in delivery)
- No thermal overload thanks to integral overflow valve
- For applications in the low and medium vacuum



Dimensions



B	741 mm
C	560 mm
D	400 mm

Technical Data	Okta 6000, Roots pump without motor
Ambient temperature	5-40 °C 41-104 °F 278-313 K
Cooling method, standard	Air
Differential pressure at the overflow valve	20 hPa 15 Torr 20 mbar
Differential pressure max.	20 hPa
Dimensions (L x W x H)	1,320 x 655 x 560 mm 51.97 x 25.79 x 22.05 inch
Emission sound pressure level (EN ISO 2151) at intake pressure 10 hPa	79 dB(A)
Emission sound pressure level (EN ISO 2151) at intake pressure 1 hPa	74 dB(A)
Flange (in)	DN 250 ISO-F/DN 250 PN 16
Flange (out)	DN 160 ISO-F/DN 150 PN 16
Leak rate	1 · 10 ⁻³ Pa m ³ /s 7.5 · 10 ⁻³ Torr l/s 1 · 10 ⁻² mbar l/s

Technical Data	Okta 6000, Roots pump without motor
Nominal pumping speed	3,240-9,730 m ³ /h 1,907.06-5,727.08 cfm 54,000-162,166.67 l/min
Nominal pumping speed at 50 Hz	6,485 m ³ /h 3,817.07 cfm 108,083.33 l/min
Nominal pumping speed at 60 Hz	7,785 m ³ /h 4,582.25 cfm 129,750 l/min
Nominal pumping speed max.	9,730 m ³ /h 5,727.08 cfm 162,166.67 l/min
Nominal pumping speed min.	3,240 m ³ /h 1,907.06 cfm 54,000 l/min
Nominal rotation speed at 50 Hz	3,000 rpm 3,000 min ⁻¹
Nominal rotation speed at 60 Hz	3,600 rpm 3,600 min ⁻¹
Operating fluid	P3
Operating fluid filling	6.8 l
Protection category	IP55
Rotation speed	1,500-4,500 rpm 1,500-4,500 min ⁻¹
Version	Standard without motor
Weight: without motor	715 kg 1,576.29 lb

Order number	
Okta 6000	PP W76 001

Accessories	
Connections Gear chamber evacuation	
Gear Box Evacuation (Plastic Tube) for Okta 4000 /M Okta 6000/M, G 3/8 (3x)	PP 045 891 -T
Control Devices Frequency converters	
Frequency converter Okta 6000/M installed in the control cabinet	PP 078 308 -T
Flanges/Ports Blank flanges	
Blank flange set for Okta 4000/M Okta 6000/M, Stainless steel	PP 045 887 -T
Blank Flange Set for Okta 4000/M Okta 6000/M, DN ISO-K (stainless steel)	PP 045 888 -T
Blank Flange Set for Okta 4000/M/ATEX Okta 6000/M, DN PN16 (stainless steel)	PP 045 889 -T
Monitoring Oil/Operating fluid level monitoring	
Oil level monitoring 20–250 V AC for Okta 250/M Okta 300/M Okta 500/M Okta 600/M Okta 800/M Okta 1000/M Okta 2000/M Okta 4000/M Okta 6000/M, G 1 ¼	PK 004 930 -U
Oil level monitoring 24 V DC for Okta 250/M Okta 300/M Okta 500/M Okta 600/M Okta 800/M Okta 1000/M Okta 2000/M Okta 4000/M Okta 6000/M, G 1 ¼	PK 005 639 -U
Monitoring Oil compensating lines with oil level monitoring	
Oil compensating line with oil level monitoring for Okta 6000/M, G 3/8 (4x), G 1 ¼ (1x)	PP 031 453 -T
Monitoring Temperature sensors	
Temperature Sensor for Okta 250/M Okta 500/M Okta 1000/M Okta 2000/M Okta 4000/M Okta 6000/M Okta 500 G Okta 1500 G Okta 4000 G, G 3/8	PP 041 457 -T
Mounting Adjusting elements for fastening the feet	
Setting elements for foot mounting for Okta 2000/M/ATEX Okta 4000/M/ATEX Okta 6000/M Okta 1500 G, 29 mm	PP 144 118 -T
Mounting Claw sets DN ISO-K	
Claw set for Okta 4000/M Okta 6000/M, DN ISO-K, Stainless steel	PP 045 881 -T
Claw Set for Okta 4000/M Okta 6000/M, DN ISO-K, Zinc-Plated Steel	PP 045 882 -T
Claw set for Okta 4000/M Okta 6000/M, DN ISO-K, Zinc-plated Steel	PP 045 883 -T
Mounting Screw sets	
Screw Set for Okta 4000/M Okta 6000/M, DN ISO-F, Zinc-Plated Steel	PP 045 875 -T
Screw Set for Okta 4000/M Okta 6000/M, DN ISO-F, Stainless Steel	PP 045 876 -T
Screw Set for Okta 4000/M/ATEX Okta 6000/M, DN PN16, Zinc-Plated Steel	PP 045 884 -T
Mounting Sealing kits	
Centering ring with outer ring for vacuum flange and fore-vacuum flange for Okta 1000/M Okta 1500 G Okta 2000/M Okta 4000/M Okta 6000/M, DN ISO-F	PF 303 116 -T
Centering ring with outer ring for vacuum flange for Okta 4000/M Okta 6000/M Okta 4000 G, DN ISO-F	PF 303 125 -T
Seal Kit (FKM) for Okta 4000/M/ATEX Okta 6000/M, DN PN16	PP 045 890 -T

Accessories	
Protection Flushing devices	
Sprayer DN PN16/PN10 for Okta 4000/M Okta 6000/M	PP 031 245 -T
Sprayer DN ISO-F for Okta 4000/M Okta 6000/M Okta 4000 G	PP 045 872 -T
Protection Sealing gas kits	
Sealing gas kit (plastic tube) for Okta 250/M Okta 300/M Okta 500/M Okta 600/M Okta 800/M Okta 1000/M Okta 2000/M Okta 4000/M Okta 6000/M Okta 8000 Okta 1500 G Okta 4000 G Okta 8000 G, G 3/8 (4x)	PP 027 401 -T
Protection Splinter shields	
Splinter shield for Okta 4000/M Okta 4000 G Okta 6000/M	PP 031 136 -X
Splinter shield for Okta 4000/M Okta 6000/M Okta 4000 G	PP 031 137 -X
Consumables	
P3, mineral oil, 1 l	PK 001 106 -T
P3, mineral oil, 5 l	PK 001 107 -T

VACUUM SOLUTIONS FROM A SINGLE SOURCE

Pfeiffer Vacuum stands for innovative and custom vacuum solutions worldwide, technological perfection, competent advice and reliable service.

COMPLETE RANGE OF PRODUCTS

From a single component to complex systems:

We are the only supplier of vacuum technology that provides a complete product portfolio.

COMPETENCE IN THEORY AND PRACTICE

Benefit from our know-how and our portfolio of training opportunities!

We support you with your plant layout and provide first-class on-site service worldwide.

Are you looking for a
perfect vacuum solution?
Please contact us:

Pfeiffer Vacuum GmbH
Headquarters · Germany
T +49 6441 802-0
info@pfeiffer-vacuum.de

www.pfeiffer-vacuum.com

All data subject to change without prior notice.

PFEIFFER  **VACUUM**