



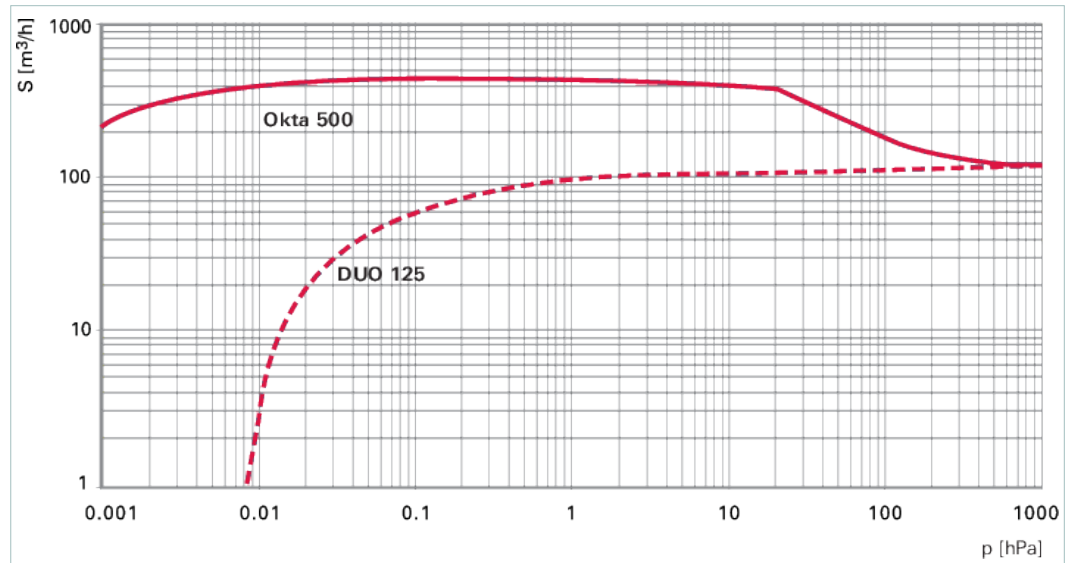
**Okta 500 M, roots vacuum pump,  
230/400 V, 50 Hz | 265/460 V, 60 Hz**



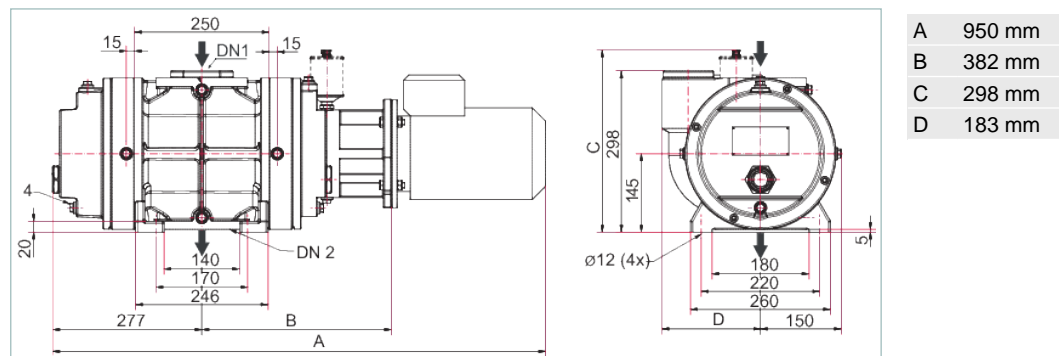
Similar Image

## Okta 500 M, roots vacuum pump, 230/400 V, 50 Hz | 265/460 V, 60 Hz

- High-performance roots vacuum pump with a pumping speed of 280 to 840 m<sup>3</sup>/h and magnetic coupling
- With 3-phase motor, IE3
- No thermal overload thanks to integral overflow valve
- For applications in the low and medium vacuum range



### Dimensions



### Technical Data

#### Okta 500 M, roots vacuum pump, 230/400 V, 50 Hz | 265/460 V, 60 Hz

Ambient temperature	5-40 °C   41-104 °F   278-313 K
Cooling method, standard	Air
Differential pressure at the overflow valve	75 hPa   56.25 Torr   75 mbar
Differential pressure max.	75 hPa
Dimensions (L x W x H)	950 x 333 x 298 mm   37.4 x 13.11 x 11.73 inch
Emission sound pressure level (EN ISO 2151) at intake pressure 10 hPa	75 dB(A)
Emission sound pressure level (EN ISO 2151) at intake pressure 1 hPa	70 dB(A)
Flange (in)	DN 100 ISO-F
Flange (out)	DN 100 ISO-F
Leak rate	1 · 10 <sup>-6</sup> Pa m <sup>3</sup> /s   7.5 · 10 <sup>-6</sup> Torr l/s   1 · 10 <sup>-5</sup> mbar l/s

Technical Data		Okta 500 M, roots vacuum pump, 230/400 V, 50 Hz   265/460 V, 60 Hz
Mains requirement: voltage 50 Hz		230/400 V
Mains requirement: voltage 60 Hz		265/460 V
Motor protection		3TF
Nominal pumping speed		280-840 m <sup>3</sup> /h   164.81-494.42 cfm   4,666.67-14,000 l/min
Nominal pumping speed at 50 Hz		560 m <sup>3</sup> /h   329.62 cfm   9,333.33 l/min
Nominal pumping speed at 60 Hz		670 m <sup>3</sup> /h   394.36 cfm   11,166.67 l/min
Nominal pumping speed max.		840 m <sup>3</sup> /h   494.42 cfm   14,000 l/min
Nominal pumping speed min.		280 m <sup>3</sup> /h   164.81 cfm   4,666.67 l/min
Nominal rotation speed at 50 Hz		3,000 rpm   3,000 min <sup>-1</sup>
Nominal rotation speed at 60 Hz		3,600 rpm   3,600 min <sup>-1</sup>
Operating fluid		P3
Operating fluid filling		1.5 l
Protection category		IP55
Rated power 50 Hz		1.5 kW
Rated power 60 Hz		1.8 kW
Rotation speed		1,500-4,500 rpm   1,500-4,500 min <sup>-1</sup>
Version		Standard with motor and magnetic coupling
Voltage: Range		± 5 %
Weight: with motor		155 kg   341.71 lb

Order number	
Okta 500 M	PP W32 000

<b>Accessories</b>	
<b>Connections Gear chamber evacuation</b>	
Gear box evacuation (plastic tube) for Okta 250/M   Okta 500/M (DN ISO-F), G 3/8 (3x)	<b>PP 041 455 -T</b>
Gear Box Evacuation (Stainless Steel - Corrugated hose) for Okta 250/M   Okta 500/M (DN ISO-F), G 3/8 (3x)	<b>PP 041 456 -T</b>
<b>Control Devices Frequency converters</b>	
Frequency converter Okta 500/M   Okta 600/M installed in the control cabinet	<b>PP 078 296 -T</b>
<b>Flanges/Ports Blank flanges</b>	
Blank flange set for Okta 300/M   Okta 500/M   Okta 600/M   Okta 800/M, Stainless steel	<b>PP 042 664 -T</b>
Blank flange set for Okta 300/M   Okta 500/M   Okta 600/M   Okta 800/M, DN ISO-K (stainless steel)	<b>PP 042 665 -T</b>
Blank flange set for Okta 300/M   Okta 500/M/ATEX   Okta 600/M   Okta 800/M, DN PN16, (stainless steel)	<b>PP 042 666 -T</b>
<b>Monitoring Oil/Operating fluid level monitoring</b>	
Oil level monitoring 20–250 V AC for Okta 250/M   Okta 300/M   Okta 500/M   Okta 600/M   Okta 800/M   Okta 1000/M   Okta 2000/M   Okta 4000/M   Okta 6000/M, G 1 ¼	<b>PK 004 930 -U</b>
Oil level monitoring 24 V DC for Okta 250/M   Okta 300/M   Okta 500/M   Okta 600/M   Okta 800/M   Okta 1000/M   Okta 2000/M   Okta 4000/M   Okta 6000/M, G 1 ¼	<b>PK 005 639 -U</b>
<b>Monitoring Oil compensating lines with oil level monitoring</b>	
Oil compensating line with oil level monitoring for Okta 500/M, G 3/8 (4x), G 1 ¼ (1x)	<b>PP 031 446 -T</b>
<b>Monitoring Temperature sensors</b>	
Temperature Sensor for Okta 250/M   Okta 500/M   Okta 1000/M   Okta 2000/M   Okta 4000/M   Okta 6000/M   Okta 500 G   Okta 1500 G   Okta 4000 G, G 3/8	<b>PP 041 457 -T</b>
<b>Mounting Adjusting elements for fastening the feet</b>	
Setting elements for foot mounting for Okta 250/M   Okta 300/M   Okta 500/M   Okta 600/M   Okta 800/M   Okta 1000/M, 35 mm	<b>PP 041 454 -T</b>
<b>Mounting Claw sets DN ISO-K</b>	
Claw set for Okta 300/M   Okta 500/M   Okta 600/M   Okta 800/M, DN ISO-K, Stainless steel	<b>PP 042 660 -T</b>
Claw set for Okta 300/M   Okta 500/M   Okta 600/M   Okta 800/M, DN ISO-K, zinc-plated steel	<b>PP 042 662 -T</b>
<b>Mounting Screw sets</b>	
Screw set for Okta 300/M   Okta 500/M   Okta 600/M   Okta 800/M, DN ISO-F, zinc-plated steel	<b>PP 042 645 -T</b>
Screw set for Okta 300/M   Okta 500/M   Okta 600/M   Okta 800/M, DN ISO-F, stainless steel	<b>PP 042 655 -T</b>
Screw set for Okta 300/M   Okta 500/M/ATEX   Okta 600/M   Okta 800/M, DN PN16, Zinc-plated Steel	<b>PP 042 663 -T</b>

<b>Accessories</b>	
<b>Mounting Sealing kits</b>	
Centering ring with outer ring for vacuum flange for Okta 300/M   Okta 500/M   Okta 500 G   Okta 600/M   Okta 800/M   Okta 1000/M   Okta 2000/M, DN ISO-F	<b>PF 303 110 -T</b>
Seal Kit (FKM) for Okta 300/M   Okta 500/M/ATEX   Okta 600/M   Okta 800/M, DN PN16	<b>PP 042 667 -T</b>
<b>Protection Flushing devices</b>	
Sprayer DN ISO-F for Okta 300/M   Okta 500/M   Okta 600/M   Okta 800/M   Okta 500 G	<b>PP 042 649 -T</b>
Sprayer DN PN16/PN10 for Okta 300/M   Okta 500/M   Okta 600/M   Okta 800/M	<b>PP 042 650 -T</b>
<b>Protection Sealing gas kits</b>	
Sealing gas kit (plastic tube) for Okta 250/M   Okta 300/M   Okta 500/M   Okta 600/M   Okta 800/M   Okta 1000/M   Okta 2000/M   Okta 4000/M   Okta 6000/M   Okta 8000   Okta 1500 G   Okta 4000 G   Okta 8000 G, G 3/8 (4x)	<b>PP 027 401 -T</b>
<b>Protection Splinter shields</b>	
Splinter shield for Okta 300/M   Okta 500/M   Okta 600/M   Okta 800/M   Okta 500 G	<b>PP 030 149 AX</b>
Splinter shield for Okta 300/M / Okta 500/M   Okta 600/M   Okta 800/M	<b>PP 042 350 -X</b>
<b>Consumables</b>	
P3, mineral oil, 1 l	<b>PK 001 106 -T</b>

## **VACUUM SOLUTIONS FROM A SINGLE SOURCE**

Pfeiffer Vacuum stands for innovative and custom vacuum solutions worldwide, technological perfection, competent advice and reliable service.

## **COMPLETE RANGE OF PRODUCTS**

From a single component to complex systems:

We are the only supplier of vacuum technology that provides a complete product portfolio.

## **COMPETENCE IN THEORY AND PRACTICE**

Benefit from our know-how and our portfolio of training opportunities!

We support you with your plant layout and provide first-class on-site service worldwide.

Are you looking for a  
perfect vacuum solution?  
Please contact us:

**Pfeiffer Vacuum GmbH**  
Headquarters · Germany  
T +49 6441 802-0  
info@pfeiffer-vacuum.de

[www.pfeiffer-vacuum.com](http://www.pfeiffer-vacuum.com)

All data subject to change without prior notice.

**PFEIFFER**  **VACUUM**