



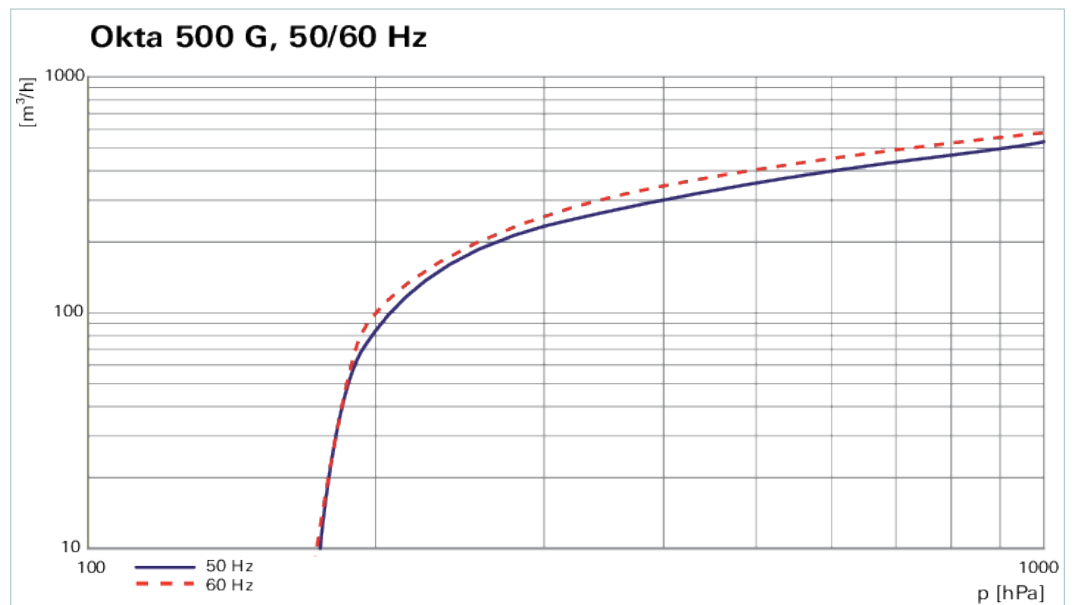
Okta 500 G, gas-cooled Roots pump without motor, DN 100 ISO-F



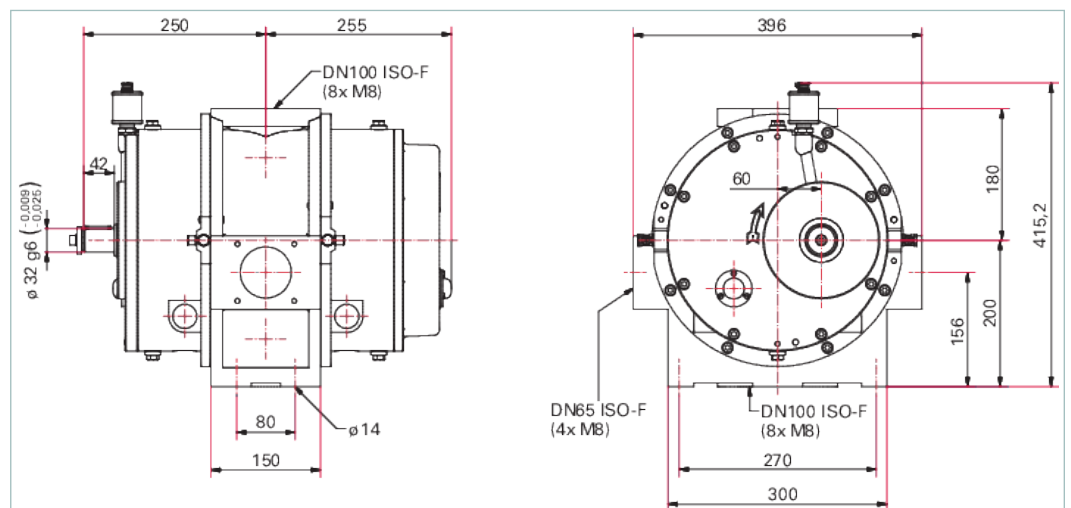
Similar Image

Okta 500 G, gas-cooled Roots pump without motor, DN 100 ISO-F

- High-performance gas cooled roots pump with a pumping speed from 210 to 630 m³/h
- For applications in the low and medium vacuum
- Single stage pressure range from 130 to 1013 hPa, in series with smaller final pressure
- Connection flange DN 100 ISO-F
- No thermal overload thanks to gas cooling
- With sealing gas connection
- Customized design and offer of a complete unit for motor, gas cooler and coupling on request



Dimensions



Technical Data

Ambient temperature
Cooling gas connection

Okta 500 G, gas-cooled Roots pump without motor, DN 100 ISO-F

5-40 °C | 41-104 °F | 278-313 K
DN 63 ISO-F

Technical Data	Okta 500 G, gas-cooled Roots pump without motor, DN 100 ISO-F
Cooling method, standard	Gas-cooled
Flange (in)	DN 100 ISO-F
Flange (out)	DN 100 ISO-F
Leak rate	$1 \cdot 10^{-3}$ Pa m ³ /s $7.5 \cdot 10^{-3}$ Torr l/s $1 \cdot 10^{-2}$ mbar l/s
Motor rating	max. 18.5 kW
Noise level with connected exhaust line	75 – 105 dB (A)
Nominal pumping speed	210-630 m ³ /h 123.61-370.82 cfm 3,500-10,500 l/min
Nominal pumping speed at 50 Hz	520 m ³ /h 306.07 cfm 8,666.67 l/min
Nominal pumping speed at 60 Hz	630 m ³ /h 370.82 cfm 10,500 l/min
Nominal pumping speed max.	630 m ³ /h 370.82 cfm 10,500 l/min
Nominal pumping speed min.	210 m ³ /h 123.61 cfm 3,500 l/min
Nominal rotation speed at 50 Hz	3,000 rpm 3,000 min ⁻¹
Nominal rotation speed at 60 Hz	3,600 rpm 3,600 min ⁻¹
Operating fluid	P3
Operating fluid filling	3 l
Protection category	IP55
Rotation speed	1,200-3,600 rpm 1,200-3,600 min ⁻¹
Sealing gas	true
Ultimate pressure without gas ballast	$1.3 \cdot 10^2$ hPa $9.75 \cdot 10^1$ Torr $1.3 \cdot 10^2$ mbar
Weight: without motor	125 kg 275.57 lb

Order number	
Okta 500 G	PP G30 001

Accessories	
Flanges/Ports Blank flanges	
Blank flange set for Okta 500 G, Stainless steel	PP 013 150 -T
Blank Flange Set for Okta 500 G, DN ISO-K (stainless steel)	PP 013 151 -T
Monitoring Temperature sensors	
Temperature Sensor for Okta 250/M Okta 500/M Okta 1000/M Okta 2000/M Okta 4000/M Okta 6000/M Okta 500 G Okta 1500 G Okta 4000 G, G 3/8	PP 041 457 -T
Mounting Adjusting elements for fastening the feet	
Setting elements for foot mounting for Okta 500 G, 35 mm	PP 013 153 -T
Mounting Claw sets DN ISO-K	
Claw set for Okta 500 G, DN ISO-K, Stainless steel	PP 013 147 -T
Claw Set for Okta 500 G, DN ISO-K, Zinc-Plated Steel	PP 013 149 -T
Mounting Screw sets	
Screw Set for Okta 500 G, DN ISO-F, Zinc-Plated Steel	PP 013 145 -T
Screw Set for Okta 500 G, DN ISO-F, Stainless Steel	PP 013 146 -T
Mounting Sealing kits	
Centering ring with outer ring for vacuum flange for Okta 300/M Okta 500/M Okta 500 G Okta 600/M Okta 800/M Okta 1000/M Okta 2000/M, DN ISO-F	PF 303 110 -T
Centering ring with outer ring for cooling gas flange for Okta 500 G, DN ISO-F	PP 013 152 -T
Protection Flushing devices	
Sprayer DN ISO-F for Okta 300/M Okta 500/M Okta 600/M Okta 800/M Okta 500 G	PP 042 649 -T
Protection Sealing gas kits	
Sealing gas kit (steel tubing) for Okta 500 G, G 1/8 (4x)	PP 013 050 -T
Protection Splinter shields	
Splinter shield for Okta 300/M Okta 500/M Okta 600/M Okta 800/M Okta 500 G	PP 030 149 AX
Consumables	
P3, mineral oil, 5 l	PK 001 107 -T

VACUUM SOLUTIONS FROM A SINGLE SOURCE

Pfeiffer Vacuum stands for innovative and custom vacuum solutions worldwide, technological perfection, competent advice and reliable service.

COMPLETE RANGE OF PRODUCTS

From a single component to complex systems:

We are the only supplier of vacuum technology that provides a complete product portfolio.

COMPETENCE IN THEORY AND PRACTICE

Benefit from our know-how and our portfolio of training opportunities!

We support you with your plant layout and provide first-class on-site service worldwide.

Are you looking for a
perfect vacuum solution?
Please contact us:

Pfeiffer Vacuum GmbH
Headquarters · Germany
T +49 6441 802-0
info@pfeiffer-vacuum.de

www.pfeiffer-vacuum.com

All data subject to change without prior notice.

PFEIFFER  **VACUUM**