



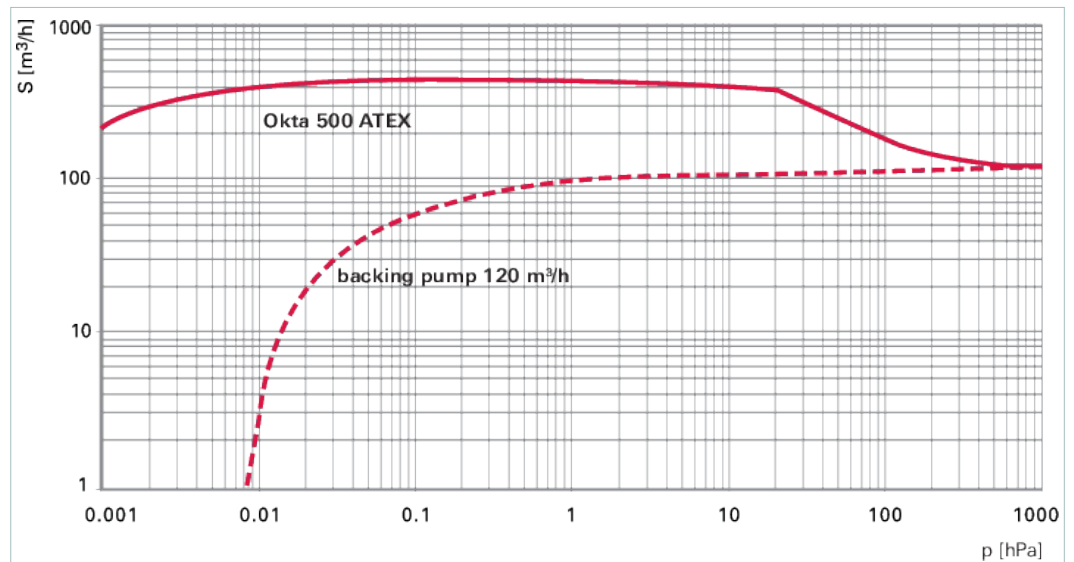
**Okta 500 ATEX, Roots pump,
230/400 V, 50 Hz | 265/460 V, 60
Hz | Ex II 2/2G Ex h IIB T3 Gb X +5
°C ≤ Ta ≤ +40 °C**



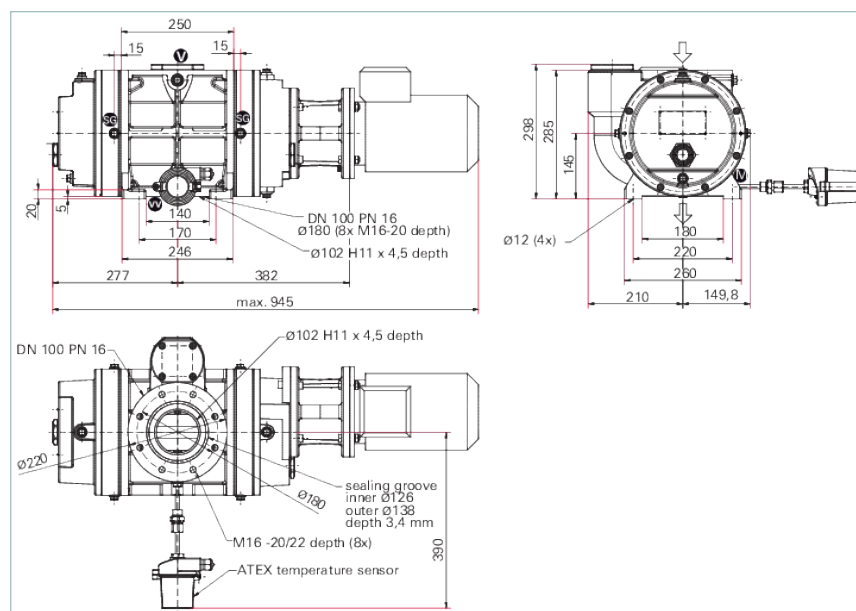
Similar Image

Okta 500 ATEX, Roots pump, 230/400 V, 50 Hz | 265/460 V, 60 Hz | Ex II 2/2G Ex h IIB T3 Gb X +5 °C T_a +40 °C

- High-performance Roots pump with a pumping speed of 280 to 670 m³/h
- PTFE overflow-valve (p = 53 hPa)
- For operation with frequency converter or switch-on at a defined backing pressure, i. e. for continuous processes
- With 3-phase motor II 2G Ex de IIC T4
- Pumps are hermetically sealed (leak rate $\leq 1 \cdot 10^{-6}$ Pa m³/s) – risk of zone entrainment is minimized
- Pressure surge resistance according to EN 1333, PN level 16
- Explosion safety due to reliable construction and temperature monitoring – installation without additional flame arrester possible
- Note: For the operation of the pumps, the terms of the operating instructions apply. We are pleased to provide you with the right solution for your application!
- Working conditions: Pump is inside and outside suitable for operation in equipment class II, equipment category 2 (G) for gases and vapors of explosion class IIA and IIB, temperature class T3 according directive 2014/34/EU



Dimensions



A	1000 mm
B	382 mm
C	330 mm
D	210 mm

Technical Data	Okta 500 ATEX, Roots pump, 230/400 V, 50 Hz 265/460 V, 60 Hz Ex II 2/2G Ex h IIB T3 Gb X +5 °C T _a +40 °C
Ambient temperature	5-40 °C 41-104 °F 278-313 K
Cooling method, standard	Air
Differential pressure max.	53 hPa
Dimensions (L x W x H)	1,000 x 360 x 330 mm 39.37 x 14.17 x 12.99 inch
Emission sound pressure level (EN ISO 2151) at intake pressure 10 hPa	75 dB(A)
Emission sound pressure level (EN ISO 2151) at intake pressure 1 hPa	70 dB(A)
Flange (in)	DN 100 PN 16
Flange (out)	DN 100 PN 16
Leak rate	< 1 · 10 ⁻⁶ Pa m ³ /s < 7.5 · 10 ⁻⁶ Torr l/s < 1 · 10 ⁻⁵ mbar l/s
Mains requirement: voltage 50 Hz	230/400 V
Mains requirement: voltage 60 Hz	265/460 V
Motor protection	3TF
Nominal pumping speed	280-670 m ³ /h 164.81-394.36 cfm 4,666.67-11,166.67 l/min
Nominal pumping speed at 50 Hz	560 m ³ /h 329.62 cfm 9,333.33 l/min
Nominal pumping speed at 60 Hz	670 m ³ /h 394.36 cfm 11,166.67 l/min
Nominal pumping speed max.	670 m ³ /h 394.36 cfm 11,166.67 l/min
Nominal pumping speed min.	280 m ³ /h 164.81 cfm 4,666.67 l/min
Nominal rotation speed at 50 Hz	3,000 rpm 3,000 min ⁻¹
Nominal rotation speed at 60 Hz	3,600 rpm 3,600 min ⁻¹
Operating fluid	P3
Operating fluid filling	1.5 l
Protection category	IP55
Rated power 50 Hz	1.5 kW
Rated power 60 Hz	1.8 kW
Rotation speed	1,500-3,600 rpm 1,500-3,600 min ⁻¹
Version	Ex II 2/2G Ex h IIB T3 Gb X +5 °C ≤ T _a +40 °C with motor, magnetic coupling and overflow-valve
Voltage: Range	±5 %
Weight: with motor	170 kg 374.78 lb

Order number	
Okta 500 ATEX	PP W33 450

Accessories	
Flanges/Ports Blank flanges	
Blank flange set for Okta 300/M Okta 500/M/ATEX Okta 600/M Okta 800/M, DN PN16, (stainless steel)	PP 042 666 -T
Mounting Screw sets	
Screw set for Okta 300/M Okta 500/M/ATEX Okta 600/M Okta 800/M, DN PN16, Zinc-plated Steel	PP 042 663 -T
Mounting Sealing kits	
Seal Kit (FKM) for Okta 300/M Okta 500/M/ATEX Okta 600/M Okta 800/M, DN PN16	PP 042 667 -T
Consumables	
P3, mineral oil, 0.5 l	PK 001 136 -T
P3, mineral oil, 1 l	PK 001 106 -T
P3, mineral oil, 20 l	PK 001 108 -T
P3, mineral oil, 5 l	PK 001 107 -T

VACUUM SOLUTIONS FROM A SINGLE SOURCE

Pfeiffer Vacuum stands for innovative and custom vacuum solutions worldwide, technological perfection, competent advice and reliable service.

COMPLETE RANGE OF PRODUCTS

From a single component to complex systems:

We are the only supplier of vacuum technology that provides a complete product portfolio.

COMPETENCE IN THEORY AND PRACTICE

Benefit from our know-how and our portfolio of training opportunities!

We support you with your plant layout and provide first-class on-site service worldwide.

Are you looking for a
perfect vacuum solution?
Please contact us:

Pfeiffer Vacuum GmbH
Headquarters · Germany
T +49 6441 802-0
info@pfeiffer-vacuum.de

www.pfeiffer-vacuum.com

All data subject to change without prior notice.

PFEIFFER  **VACUUM**