



**Okta 500 ATEX, Roots pump,  
230/400 V, 50 Hz | 265/460 V, 60  
Hz | Ex II 3/3G Exh IIB T3 Gc X +5  
°C ≤ Ta ≤ +40 °C**



Similar Image

## Okta 500 ATEX, Roots pump, 230/400 V, 50 Hz | 265/460 V, 60 Hz | Ex II 3/3G Exh IIB T3 Gc X +5 °C T<sub>a</sub> +40 °C

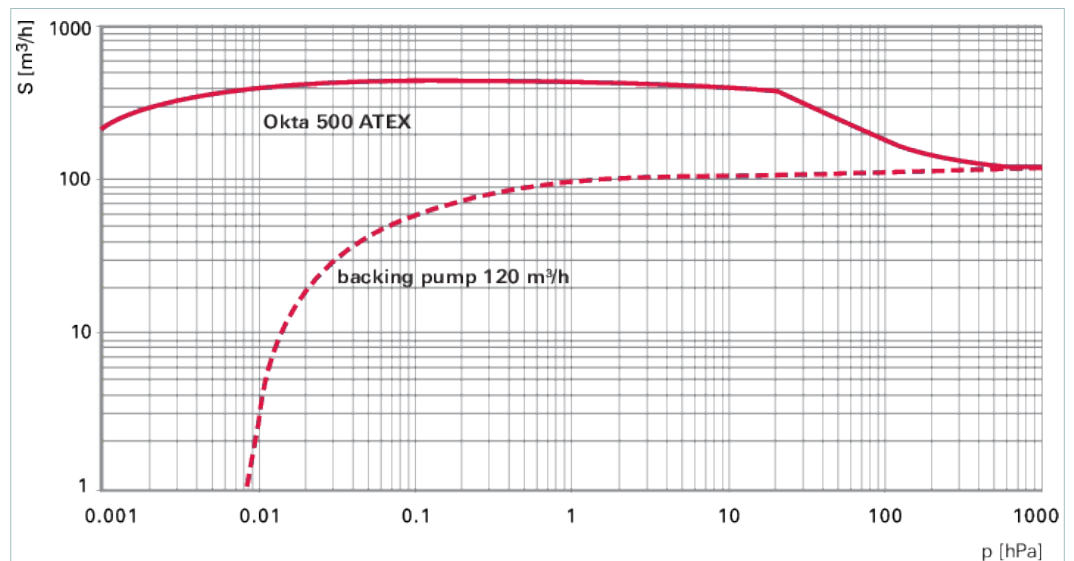
- High-performance Roots pump with a pumping speed of 280 to 670 m<sup>3</sup>/h
- Blocked overflow valve
- For operation with frequency converter or switch-on at a defined backing pressure, i.e. for continuous processes
- With 3-phase motor II 2G Ex de IIC T4
- Pumps are hermetically sealed (leak rate  $\leq 1 \cdot 10^{-6}$  Pa m<sup>3</sup>/s) – risk of zone entrainment is minimized
- Pressure surge resistance according to EN 1333, PN level 16
- Explosion safety due to reliable construction and temperature monitoring – installation without additional flame arrester possible
- Note: For the operation of the pumps, the terms of the operating instructions apply. We are pleased to provide you with the right solution for your application!
- Working conditions: Pump is inside and outside suitable for operation in equipment class II, equipment category 3(G) for gases and vapors of explosion class IIA and IIB, temperature class T3 according directive 2014/34/EU

Pumps are suitable for operation with FC.

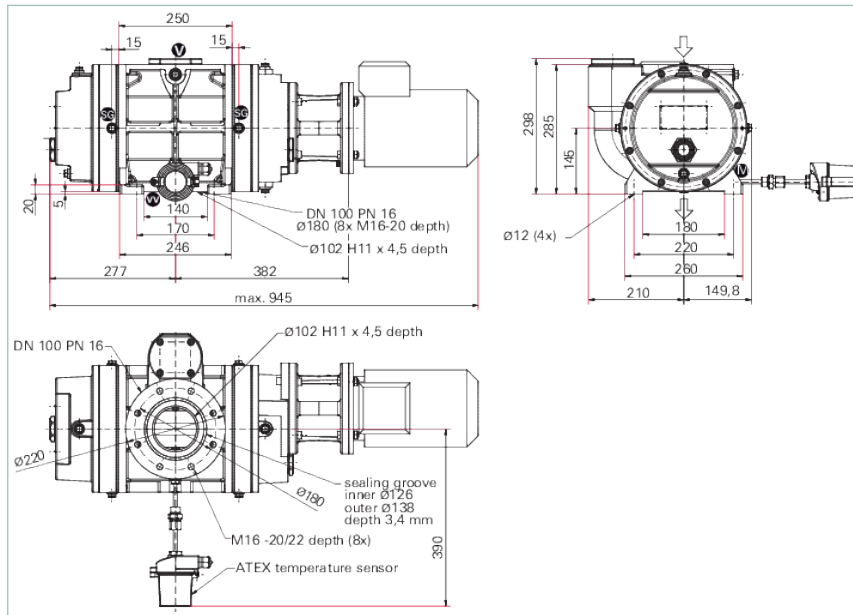
Other voltages 50 Hz: 200 V, 220/380 V, 380/660 V, 415 V and 60 Hz: 200 V, 220/380 V, 230/400 V, 380/ 660 V, 400/690 V, 440/760 V, 480 V are available.

Stainless steel 1.4059 available on request.

Available as category 2 marked equipment according to directive 2014/34/EU on request.



## Dimensions



A	1000 mm
B	382 mm
C	330 mm
D	210 mm

Technical Data	Okta 500 ATEX, Roots pump, 230/400 V, 50 Hz   265/460 V, 60 Hz   Ex II 3/3G Exh IIB T3 Gc X +5 °C T <sub>a</sub> +40 °C
Ambient temperature	5-40 °C   41-104 °F   278-313 K
Cooling method, standard	Air
Dimensions (L x W x H)	1,000 x 360 x 330 mm   39.37 x 14.17 x 12.99 inch
Emission sound pressure level (EN ISO 2151) at intake pressure 10 hPa	75 dB(A)
Emission sound pressure level (EN ISO 2151) at intake pressure 1 hPa	70 dB(A)
Flange (in)	DN 100 PN 16
Flange (out)	DN 100 PN 16
Leak rate	< 1 · 10 <sup>-6</sup> Pa m <sup>3</sup> /s   < 7.5 · 10 <sup>-6</sup> Torr l/s   < 1 · 10 <sup>-5</sup> mbar l/s
Mains requirement: voltage 50 Hz	230/400 V
Mains requirement: voltage 60 Hz	265/460 V
Motor protection	3TF
Nominal pumping speed	280-670 m <sup>3</sup> /h   164.81-394.36 cfm   4,666.67-11,166.67 l/min
Nominal pumping speed at 50 Hz	560 m <sup>3</sup> /h   329.62 cfm   9,333.33 l/min
Nominal pumping speed at 60 Hz	670 m <sup>3</sup> /h   394.36 cfm   11,166.67 l/min
Nominal pumping speed max.	670 m <sup>3</sup> /h   394.36 cfm   11,166.67 l/min
Nominal pumping speed min.	280 m <sup>3</sup> /h   164.81 cfm   4,666.67 l/min
Nominal rotation speed at 50 Hz	3,000 rpm   3,000 min <sup>-1</sup>
Nominal rotation speed at 60 Hz	3,600 rpm   3,600 min <sup>-1</sup>
Operating fluid	P3
Operating fluid filling	1.5 l
Protection category	IP55
Rated power 50 Hz	1.5 kW
Rated power 60 Hz	1.8 kW
Rotation speed	1,500-3,600 rpm   1,500-3,600 min <sup>-1</sup>
Version	Ex II 3/3G Exh IIB T3 Gc X +5 °C ≤ T <sub>a</sub> +40 °C with motor, magnetic coupling and blocked over flow-valve
Voltage: Range	±5 %

<b>Technical Data</b>	Okta 500 ATEX, Roots pump, 230/400 V, 50 Hz   265/460 V, 60 Hz   Ex II 3/3G Exh IIB T3 Gc X +5 °C T <sub>a</sub> +40 °C
Weight: with motor	170 kg   374.78 lb

<b>Order number</b>	
Okta 500 ATEX	<b>PP W33 300</b>

<b>Accessories</b>	
<b>Flanges/Ports Blank flanges</b>	
Blank flange set for Okta 300/M   Okta 500/M/ATEX   Okta 600/M   Okta 800/M, DN PN16, (stainless steel)	<b>PP 042 666 -T</b>
<b>Mounting Screw sets</b>	
Screw set for Okta 300/M   Okta 500/M/ATEX   Okta 600/M   Okta 800/M, DN PN16, Zinc-plated Steel	<b>PP 042 663 -T</b>
<b>Mounting Sealing kits</b>	
Seal Kit (FKM) for Okta 300/M   Okta 500/M/ATEX   Okta 600/M   Okta 800/M, DN PN16	<b>PP 042 667 -T</b>
<b>Consumables</b>	
P3, mineral oil, 0.5 l	<b>PK 001 136 -T</b>
P3, mineral oil, 1 l	<b>PK 001 106 -T</b>
P3, mineral oil, 20 l	<b>PK 001 108 -T</b>
P3, mineral oil, 5 l	<b>PK 001 107 -T</b>

## **VACUUM SOLUTIONS FROM A SINGLE SOURCE**

Pfeiffer Vacuum stands for innovative and custom vacuum solutions worldwide, technological perfection, competent advice and reliable service.

## **COMPLETE RANGE OF PRODUCTS**

From a single component to complex systems:

We are the only supplier of vacuum technology that provides a complete product portfolio.

## **COMPETENCE IN THEORY AND PRACTICE**

Benefit from our know-how and our portfolio of training opportunities!

We support you with your plant layout and provide first-class on-site service worldwide.

Are you looking for a  
perfect vacuum solution?  
Please contact us:

**Pfeiffer Vacuum GmbH**  
Headquarters · Germany  
T +49 6441 802-0  
info@pfeiffer-vacuum.de

[www.pfeiffer-vacuum.com](http://www.pfeiffer-vacuum.com)

All data subject to change without prior notice.

**PFEIFFER**  **VACUUM**