



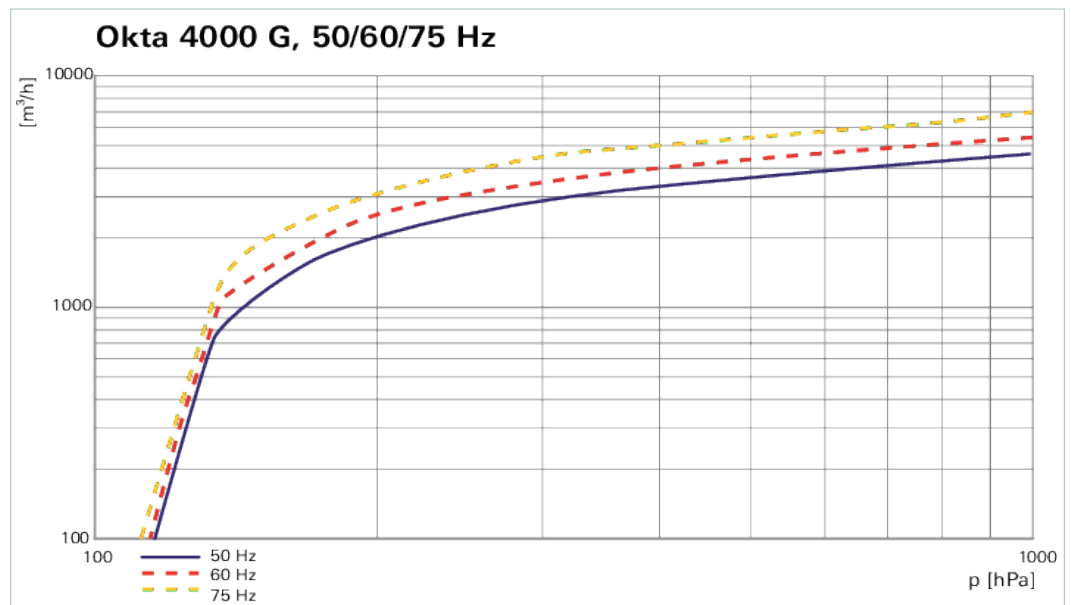
Okta 4000 G, gas-cooled Roots pump without motor, DN 250 ISO-F



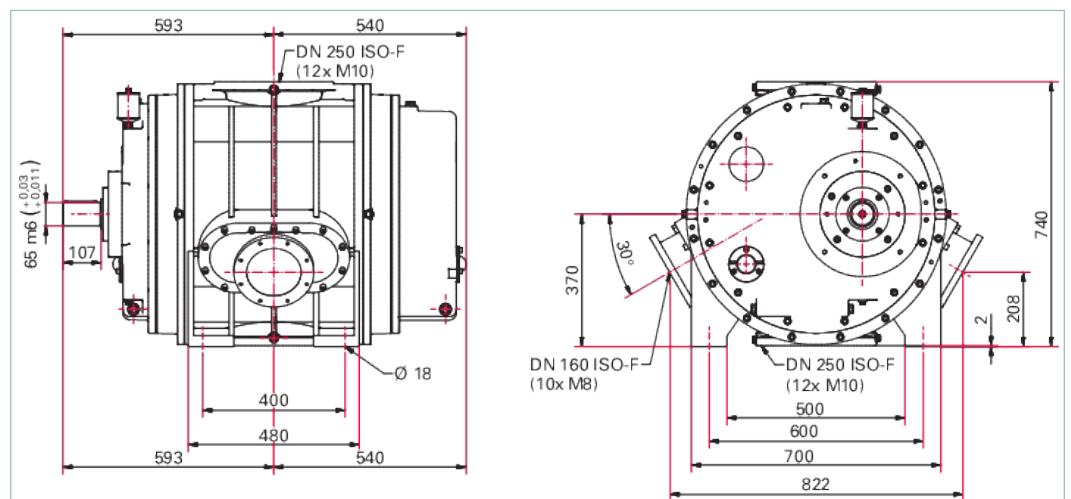
Similar Image

Okta 4000 G, gas-cooled Roots pump without motor, DN 250 ISO-F

- High-performance gas cooled roots pump with a pumping speed from 2300 to 6900 m³/h
- For applications in the low and medium vacuum
- Single stage pressure range from 130 to 1013 hPa, in series with smaller final pressure
- Connection flange DN 250 ISO-F
- No thermal overload thanks to gas cooling
- With sealing gas connection
- Customized design and offer for motor, gas cooler, and coupling on request



Dimensions



Technical Data

Okta 4000 G, gas-cooled Roots pump without motor, DN 250 ISO-F

Ambient temperature	5-40 °C 41-104 °F 278-313 K
Cooling gas connection	DN 160 ISO-F
Cooling method, standard	Gas-cooled

Technical Data	Okta 4000 G, gas-cooled Roots pump without motor, DN 250 ISO-F
Flange (in)	DN 250 ISO-F
Flange (out)	DN 250 ISO-F
Leak rate	1 · 10 ⁻³ Pa m ³ /s 7.5 · 10 ⁻³ Torr l/s 1 · 10 ⁻² mbar l/s
Motor rating	max. 132 kW
Noise level with connected exhaust line	75 – 105 dB (A)
Nominal pumping speed	2,300-6,900 m ³ /h 1,353.78-4,061.34 cfm 38,333.33-115,000 l/min
Nominal pumping speed at 50 Hz	4,600 m ³ /h 2,707.56 cfm 76,666.67 l/min
Nominal pumping speed at 60 Hz	5,500 m ³ /h 3,237.3 cfm 91,666.67 l/min
Nominal pumping speed max.	6,900 m ³ /h 4,061.34 cfm 115,000 l/min
Nominal pumping speed min.	2,300 m ³ /h 1,353.78 cfm 38,333.33 l/min
Nominal rotation speed at 50 Hz	1,500 rpm 1,500 min ⁻¹
Nominal rotation speed at 60 Hz	1,800 rpm 1,800 min ⁻¹
Operating fluid	P3
Operating fluid filling	21 l
Protection category	IP55
Rotation speed	750-2,250 rpm 750-2,250 min ⁻¹
Sealing gas	true
Ultimate pressure without gas ballast	1.3 · 10 ² hPa 9.75 · 10 ¹ Torr 1.3 · 10 ² mbar
Weight: without motor	1,150 kg 2,535.29 lb
Order number	
Okta 4000 G	PP G70 001

Accessories	
Cooling Finned tube coolers	
Finned tube cooler for Okta 8000 Okta 4000 G Okta 8000 G, G 3/8 (2x)	PP 047 289 -T
Flanges/Ports Blank flanges	
Blank flange set for Okta 4000 G, Stainless steel	PP 015 087 -T
Blank Flange Set for Okta 4000 G, DN ISO-K (stainless steel)	PP 015 088 -T
Blank flange set for Okta 4000 G, DN PN10 (stainless steel)	PP 015 089 -T
Monitoring Temperature sensors	
Temperature Sensor for Okta 250/M Okta 500/M Okta 1000/M Okta 2000/M Okta 4000/M Okta 6000/M Okta 500 G Okta 1500 G Okta 4000 G, G 3/8	PP 041 457 -T
Mounting Adjusting elements for fastening the feet	
Setting elements for foot mounting for Okta 4000 G, 35 mm	PP 015 092 -T
Mounting Claw sets DN ISO-K	
Claw set for Okta 4000 G, DN ISO-K, Stainless steel	PP 015 083 -T
Claw Set for Okta 4000 G, DN ISO-K, Zinc-Plated Steel	PP 015 085 -T
Mounting Screw sets	
Screw Set for Okta 4000 G, DN ISO-F, Zinc-Plated Steel	PP 015 081 -T
Screw Set for Okta 4000 G, DN ISO-F, Stainless Steel	PP 015 082 -T
Screw Set for Okta 4000 G Okta 8000 G, DN PN10, Zinc-Plated Steel	PP 015 086 -T
Mounting Sealing kits	
Centering ring with outer ring for vacuum flange for Okta 4000/M Okta 6000/M Okta 4000 G, DN ISO-F	PF 303 125 -T
Seal Kit (FKM) for Okta 4000 G, DN PN10	PP 015 090 -T
Centering ring with outer ring for cooling gas flange for Okta 4000 G, DN ISO-F	PP 015 091 -T
Protection Flushing devices	
Sprayer DN PN16/PN10 for Okta 4000 G	PP 015 078 -T
Sprayer DN ISO-F for Okta 4000/M Okta 6000/M Okta 4000 G	PP 045 872 -T
Protection Sealing gas kits	
Sealing gas kit (plastic tube) for Okta 250/M Okta 300/M Okta 500/M Okta 600/M Okta 800/M Okta 1000/M Okta 2000/M Okta 4000/M Okta 6000/M Okta 8000 Okta 1500 G Okta 4000 G Okta 8000 G, G 3/8 (4x)	PP 027 401 -T
Protection Splinter shields	
Splinter shield for Okta 4000/M Okta 4000 G Okta 6000/M	PP 031 136 -X
Splinter shield for Okta 4000/M Okta 6000/M Okta 4000 G	PP 031 137 -X
Consumables	
P3, mineral oil, 1 l	PK 001 106 -T
P3, mineral oil, 20 l	PK 001 108 -T

VACUUM SOLUTIONS FROM A SINGLE SOURCE

Pfeiffer Vacuum stands for innovative and custom vacuum solutions worldwide, technological perfection, competent advice and reliable service.

COMPLETE RANGE OF PRODUCTS

From a single component to complex systems:

We are the only supplier of vacuum technology that provides a complete product portfolio.

COMPETENCE IN THEORY AND PRACTICE

Benefit from our know-how and our portfolio of training opportunities!

We support you with your plant layout and provide first-class on-site service worldwide.

Are you looking for a
perfect vacuum solution?
Please contact us:

Pfeiffer Vacuum GmbH
Headquarters · Germany
T +49 6441 802-0
info@pfeiffer-vacuum.de

www.pfeiffer-vacuum.com

All data subject to change without prior notice.

PFEIFFER  **VACUUM**