



**Okta 4000 ATEX, Roots pump,
230/400 V, 50 Hz | 265/460 V, 60
Hz | Ex II 2/2G Ex h IIB T3 Gb X +5
°C ≤ Ta ≤ +40 °C**

Okta 4000 ATEX, Roots pump, 230/400 V, 50 Hz | 265/460 V, 60 Hz | Ex II 2/2G Ex h IIB T3 Gb X +5 °C T_a +40 °C

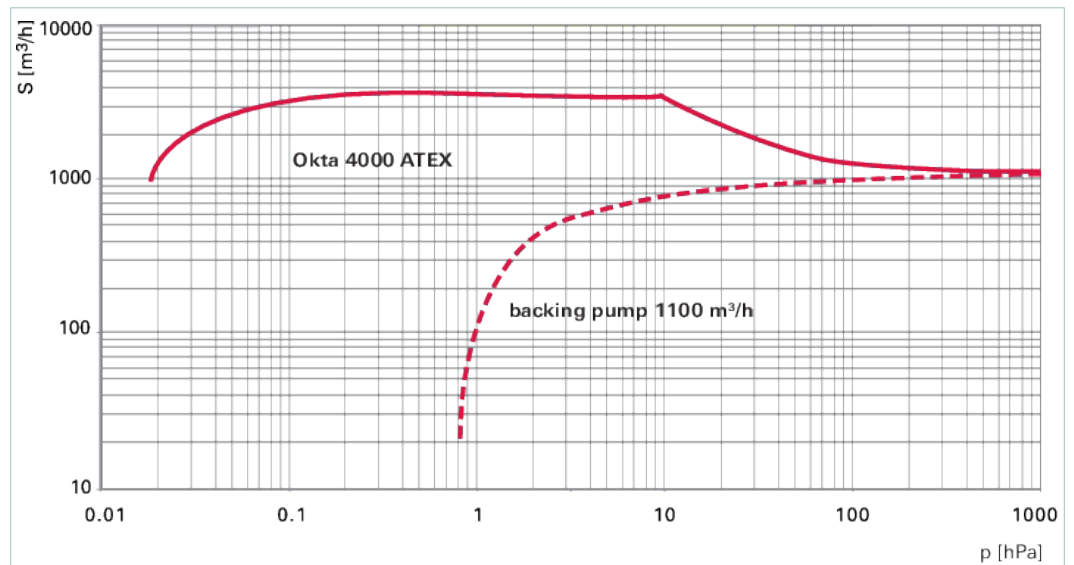
- High-performance Roots pump with a pumping speed of 2160 to 5190 m³/h
- Blocked overflow valve
- For operation with frequency converter or switch-on at a defined backing pressure, i.e. for continuous processes
- With 3-phase motor II 2G Ex de IIC T4
- Pumps are hermetically sealed (leak rate $< 1 \cdot 10^{-6}$ Pa m³/s) - risk of zone entrainment is minimized
- Pressure surge resistance according to EN 1333, PN level 16
- Explosion safety due to reliable construction and temperature monitoring – installation without additional flame arrester possible
- Note: For the operation of the pumps, the terms of the operating instructions apply. We are pleased to provide you with the right solution for your application!
- Working conditions: Pump is inside and outside suitable for operation in equipment class II, equipment category 2(G) for gases and vapors of explosion class IIA and IIB, temperature class T3 according directive 2014/34/EU

Pumps are suitable for operation with FC.

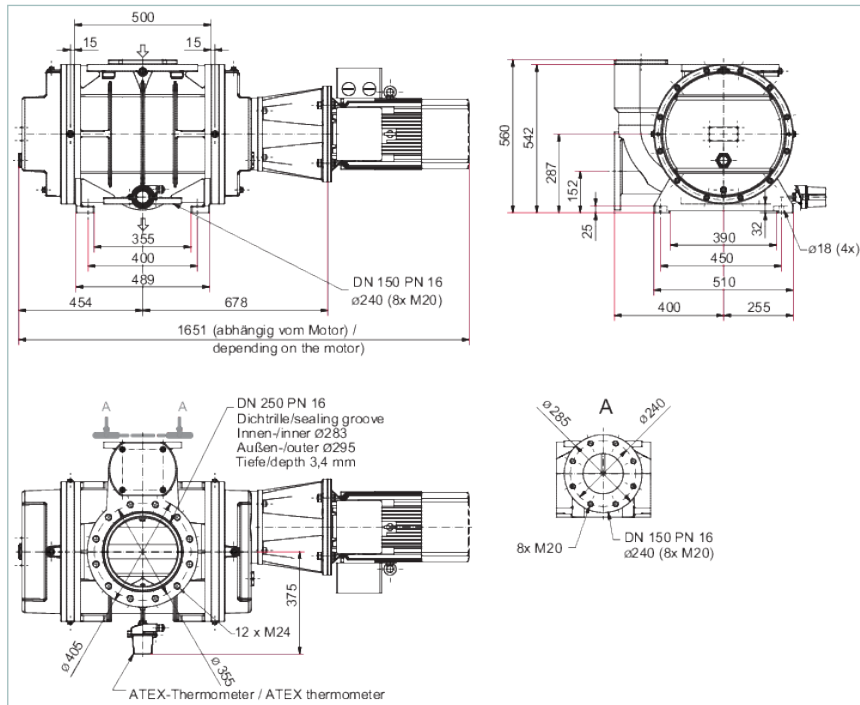
Deviating motor voltages 50 Hz: 200 V, 220/380 V, 380/660 V, 415 V and 60 Hz: 200 V, 220/380 V, 230/400 V, 380/660 V, 400/690 V, 440/760 V, 480 V are available.

Stainless steel 1.4059 available on request.

Available as category 2 marked equipment according to directive 2014/34/EU on request.



Dimensions



A	1651 mm
B	678 mm
C	560 mm
D	400 mm

Technical Data

Okta 4000 ATEX, Roots pump, 230/400 V, 50 Hz | 265/460 V, 60 Hz | Ex II 2/2G Ex h IIB T3 Gb X +5 °C T_a +40 °C

Ambient temperature	5-40 °C 41-104 °F 278-313 K
Cooling method, standard	Air
Dimensions (L x W x H)	1,651 x 655 x 560 mm 65 x 25.79 x 22.05 inch
Emission sound pressure level (EN ISO 2151) at intake pressure 10 hPa	79 dB(A)
Emission sound pressure level (EN ISO 2151) at intake pressure 1 hPa	74 dB(A)
Flange (in)	DN 250 PN 16
Flange (out)	DN 150 PN 16
Leak rate	1 · 10 ⁻⁶ Pa m ³ /s 7.5 · 10 ⁻⁶ Torr l/s 1 · 10 ⁻⁵ mbar l/s
Mains requirement: voltage 50 Hz	230/400 V
Mains requirement: voltage 60 Hz	265/460 V
Motor protection	3TF
Nominal pumping speed	2,160-5,190 m ³ /h 1,271.38-3,054.83 cfm 36,000-86,500 l/min
Nominal pumping speed at 50 Hz	4,325 m ³ /h 2,545.7 cfm 72,083.33 l/min
Nominal pumping speed at 60 Hz	5,190 m ³ /h 3,054.83 cfm 86,500 l/min
Nominal pumping speed max.	5,190 m ³ /h 3,054.83 cfm 86,500 l/min
Nominal pumping speed min.	2,160 m ³ /h 1,271.38 cfm 36,000 l/min
Nominal rotation speed at 50 Hz	3,000 rpm 3,000 min ⁻¹
Nominal rotation speed at 60 Hz	3,600 rpm 3,600 min ⁻¹
Operating fluid	P3
Operating fluid filling	6.8 l
Protection category	IP55
Rated power 50 Hz	11 kW
Rated power 60 Hz	13 kW
Rotation speed	1,500-3,600 rpm 1,500-3,600 min ⁻¹

Technical Data	Okta 4000 ATEX, Roots pump, 230/400 V, 50 Hz 265/460 V, 60 Hz Ex II 2/2G Ex h IIB T3 Gb X +5 °C T _a +40 °C
Version	Ex II 2/2G Ex h IIB T3 Gb X +5 °C ≤ T _a +40 °C with motor, magnetic coupling and blocked over flow-valve
Voltage: Range	± 5 %
Weight: with motor	700 kg 1,543.22 lb

Order number	
Okta 4000 ATEX	PP W73 400

Accessories	
Flanges/Ports Blank flanges	
Blank Flange Set for Okta 4000/M/ATEX Okta 6000/M, DN PN16 (stainless steel)	PP 045 889 -T
Mounting Screw sets	
Screw Set for Okta 4000/M/ATEX Okta 6000/M, DN PN16, Zinc-Plated Steel	PP 045 884 -T
Mounting Sealing kits	
Seal Kit (FKM) for Okta 4000/M/ATEX Okta 6000/M, DN PN16	PP 045 890 -T
Tools Toolkits	
Tool kit for Okta 2000/M Okta 4000/M Okta 6000/M	PP 031 083 AT

VACUUM SOLUTIONS FROM A SINGLE SOURCE

Pfeiffer Vacuum stands for innovative and custom vacuum solutions worldwide, technological perfection, competent advice and reliable service.

COMPLETE RANGE OF PRODUCTS

From a single component to complex systems:

We are the only supplier of vacuum technology that provides a complete product portfolio.

COMPETENCE IN THEORY AND PRACTICE

Benefit from our know-how and our portfolio of training opportunities!

We support you with your plant layout and provide first-class on-site service worldwide.

Are you looking for a
perfect vacuum solution?
Please contact us:

Pfeiffer Vacuum GmbH
Headquarters · Germany
T +49 6441 802-0
info@pfeiffer-vacuum.de

www.pfeiffer-vacuum.com

All data subject to change without prior notice.

PFEIFFER  **VACUUM**