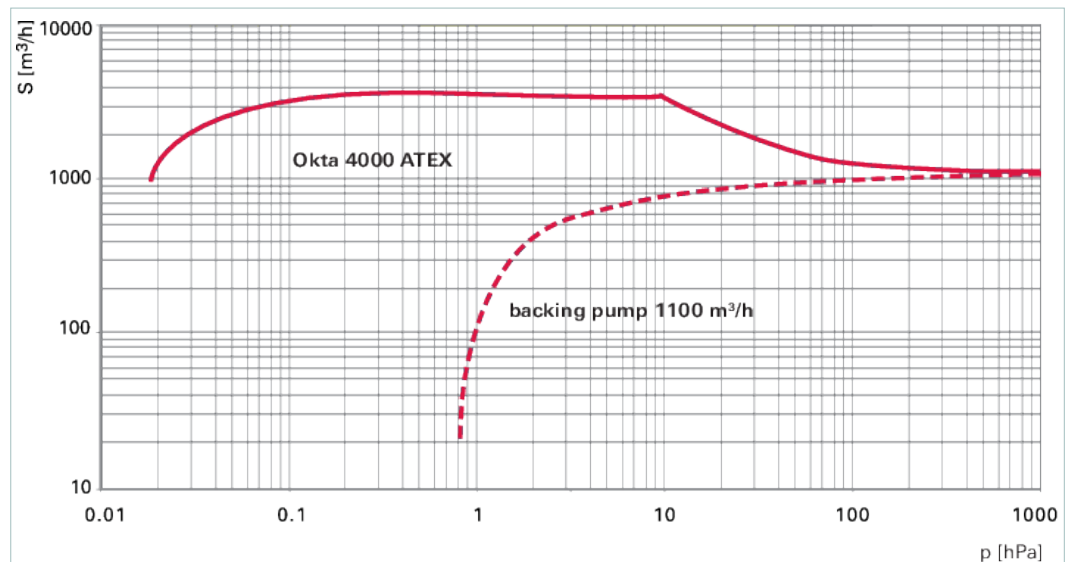




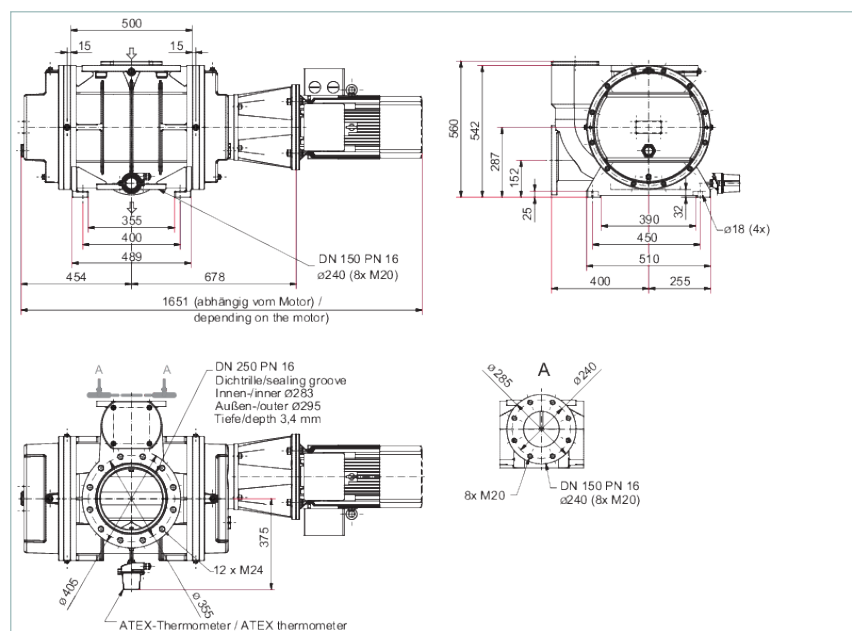
**Okta 4000 ATEX, Roots pump,  
230/400 V, 50 Hz | 265/460 V, 60  
Hz | Ex II 3/3G Ex h IIB T3 Gc X +5  
°C ≤ Ta ≤ +40 °C**

## Okta 4000 ATEX, Roots pump, 230/400 V, 50 Hz | 265/460 V, 60 Hz | Ex II 3/3G Ex h IIB T3 Gc X +5 °C T<sub>a</sub> +40 °C

- High-performance Roots pump with a pumping speed of 2160 to 5190 m<sup>3</sup>/h
  - PTFE overflow-valve (p = 20 hPa)
  - No thermal overload thanks to integrated overflow valve
  - With 3-phase motor II 2G Ex de IIC T4
  - Pumps are hermetically sealed (leak rate <math>\leq 1 \cdot 10^{-6}</math> Pa m<sup>3</sup>/s) - risk of zone entrainment is minimized
  - Pressure surge resistance according to EN 1333, PN level 16
  - Explosion safety due to reliable construction and temperature monitoring – installation without additional flame arrester possible
  - Note: For the operation of the pumps, the terms of the operating instructions apply. We are pleased to provide you with the right solution for your application!
- Working conditions: Pump is inside and outside suitable for operation in equipment class II, equipment category 3 (G) for gases and vapors of explosion class IIA and IIB, temperature class T3 according directive 2014/34/EU



### Dimensions



<b>Technical Data</b>		<b>Okta 4000 ATEX, Roots pump, 230/400 V, 50 Hz   265/460 V, 60 Hz   Ex II 3/3G Ex h IIB T3 Gc X +5 °C T<sub>a</sub> +40 °C</b>
Ambient temperature	5-40 °C   41-104 °F   278-313 K	
Cooling method, standard	Air	
Differential pressure max.	20 hPa	
Dimensions (L x W x H)	1,651 x 655 x 560 mm   65 x 25.79 x 22.05 inch	
Emission sound pressure level (EN ISO 2151) at intake pressure 10 hPa	79 dB(A)	
Emission sound pressure level (EN ISO 2151) at intake pressure 1 hPa	74 dB(A)	
Flange (in)	DN 250 PN 16	
Flange (out)	DN 150 PN 16	
Leak rate	1 · 10 <sup>-6</sup> Pa m <sup>3</sup> /s   7.5 · 10 <sup>-6</sup> Torr l/s   1 · 10 <sup>-5</sup> mbar l/s	
Mains requirement: voltage 50 Hz	230/400 V	
Mains requirement: voltage 60 Hz	265/460 V	
Motor protection	3TF	
Nominal pumping speed	2,160-5,190 m <sup>3</sup> /h   1,271.38-3,054.83 cfm   36,000-86,500 l/min	
Nominal pumping speed at 50 Hz	4,325 m <sup>3</sup> /h   2,545.7 cfm   72,083.33 l/min	
Nominal pumping speed at 60 Hz	5,190 m <sup>3</sup> /h   3,054.83 cfm   86,500 l/min	
Nominal pumping speed max.	5,190 m <sup>3</sup> /h   3,054.83 cfm   86,500 l/min	
Nominal pumping speed min.	2,160 m <sup>3</sup> /h   1,271.38 cfm   36,000 l/min	
Nominal rotation speed at 50 Hz	3,000 rpm   3,000 min <sup>-1</sup>	
Nominal rotation speed at 60 Hz	3,600 rpm   3,600 min <sup>-1</sup>	
Operating fluid	P3	
Operating fluid filling	6.8 l	
Protection category	IP55	
Rated power 50 Hz	11 kW	
Rated power 60 Hz	13 kW	
Rotation speed	1,500-3,600 rpm   1,500-3,600 min <sup>-1</sup>	
Version	Ex II 3/3G Exh IIB T3 Gc X +5 °C ≤ T <sub>a</sub> +40 °C with motor, magnetic coupling and overflow-valve	
Voltage: Range	± 5 %	
Weight: with motor	700 kg   1,543.22 lb	

<b>Order number</b>	
Okta 4000 ATEX	<b>PP W73 350</b>

<b>Accessories</b>	
<b>Flanges/Ports Blank flanges</b>	
Blank Flange Set for Okta 4000/M/ATEX   Okta 6000/M, DN PN16 (stainless steel)	<b>PP 045 889 -T</b>
<b>Mounting Screw sets</b>	
Screw Set for Okta 4000/M/ATEX   Okta 6000/M, DN PN16, Zinc-Plated Steel	<b>PP 045 884 -T</b>
<b>Mounting Sealing kits</b>	
Seal Kit (FKM) for Okta 4000/M/ATEX   Okta 6000/M, DN PN16	<b>PP 045 890 -T</b>
<b>Tools Toolkits</b>	
Tool kit for Okta 2000/M   Okta 4000/M   Okta 6000/M	<b>PP 031 083 AT</b>

## **VACUUM SOLUTIONS FROM A SINGLE SOURCE**

Pfeiffer Vacuum stands for innovative and custom vacuum solutions worldwide, technological perfection, competent advice and reliable service.

## **COMPLETE RANGE OF PRODUCTS**

From a single component to complex systems:

We are the only supplier of vacuum technology that provides a complete product portfolio.

## **COMPETENCE IN THEORY AND PRACTICE**

Benefit from our know-how and our portfolio of training opportunities!

We support you with your plant layout and provide first-class on-site service worldwide.

Are you looking for a  
perfect vacuum solution?  
Please contact us:

**Pfeiffer Vacuum GmbH**  
Headquarters · Germany  
T +49 6441 802-0  
info@pfeiffer-vacuum.de

[www.pfeiffer-vacuum.com](http://www.pfeiffer-vacuum.com)

All data subject to change without prior notice.

**PFEIFFER**  **VACUUM**