



**Okta 4000 ATEX, Roots pump,
230/400 V, 50 Hz | 265/460 V, 60
Hz | Ex II 3/3G Exh IIB T3 Gc X +5
°C ≤ Ta ≤ +40 °C**

Okta 4000 ATEX, Roots pump, 230/400 V, 50 Hz | 265/460 V, 60 Hz | Ex II 3/3G Exh IIB T3 Gc X +5 °C T_a +40 °C

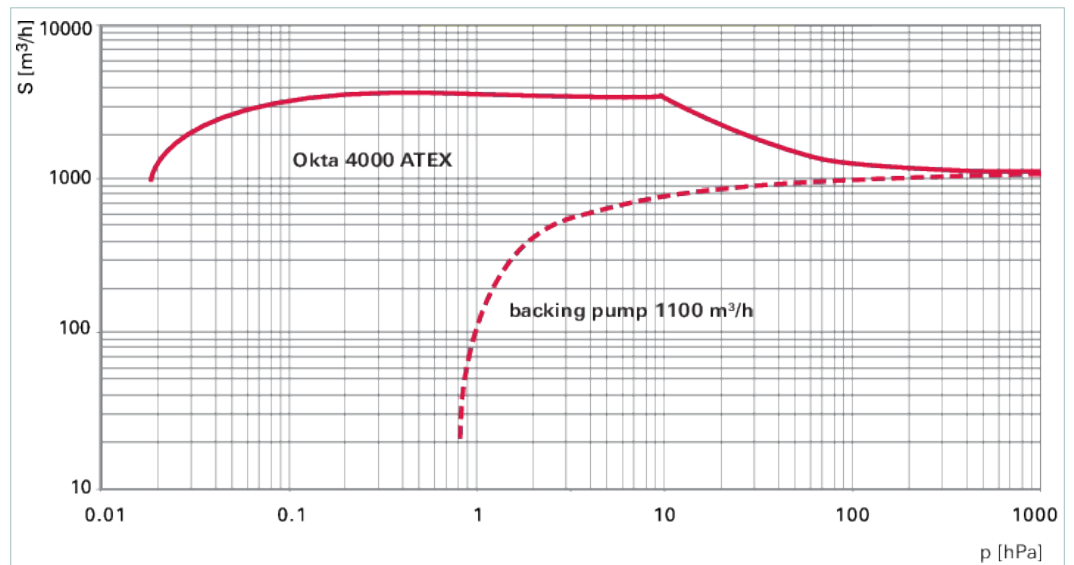
- High-performance Roots pump with a pumping speed of 2160 to 5190 m³/h
 - Blocked overflow valve
 - For operation with frequency converter or switch-on at a defined backing pressure, i.e. for continuous processes
 - With 3-phase motor II 2G Ex de IIC T4
 - Pumps are hermetically sealed (leak rate $< 1 \cdot 10^{-6}$ Pa m³/s) - risk of zone entrainment is minimized
 - Pressure surge resistance according to EN 1333, PN level 16
 - Explosion safety due to reliable construction and temperature monitoring – installation without additional flame arrester possible
 - Note: For the operation of the pumps, the terms of the operating instructions apply. We are pleased to provide you with the right solution for your application!
- Working conditions: Pump is inside and outside suitable for operation in equipment class II, equipment category 3 (G) for gases and vapors of explosion class IIA and IIB, temperature class T3 according directive 2014/34/EU

Pumps are suitable for operation with FC.

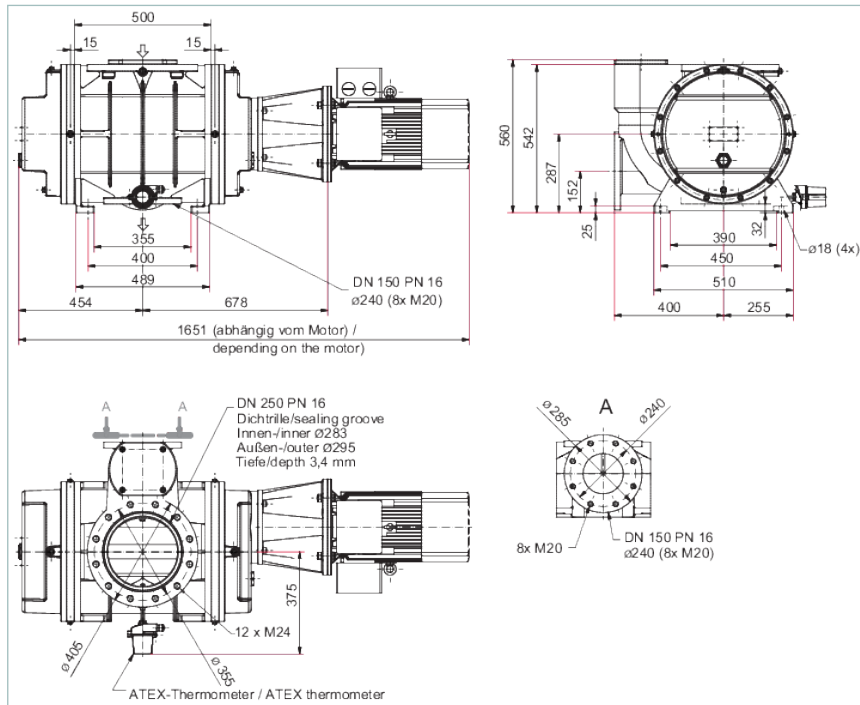
Deviating motor voltages 50 Hz: 200 V, 220/380 V, 380/660 V, 415 V and 60 Hz: 200 V, 220/380 V, 230/400 V, 380/660 V, 400/690 V, 440/760 V, 480 V are available.

Stainless steel 1.4059 available on request.

Available as category 2 marked equipment according to directive 2014/34/EU on request.



Dimensions



A	1651 mm
B	678 mm
C	560 mm
D	400 mm

Technical Data

Okta 4000 ATEX, Roots pump, 230/400 V, 50 Hz | 265/460 V, 60 Hz | Ex II 3/3G Exh IIB T3 Gc X +5 °C T_a +40 °C

Ambient temperature	5-40 °C 41-104 °F 278-313 K
Cooling method, standard	Air
Dimensions (L x W x H)	1,651 x 655 x 560 mm 65 x 25.79 x 22.05 inch
Emission sound pressure level (EN ISO 2151) at intake pressure 10 hPa	79 dB(A)
Emission sound pressure level (EN ISO 2151) at intake pressure 1 hPa	74 dB(A)
Flange (in)	DN 250 PN 16
Flange (out)	DN 150 PN 16
Leak rate	1 · 10 ⁻⁶ Pa m ³ /s 7.5 · 10 ⁻⁶ Torr l/s 1 · 10 ⁻⁵ mbar l/s
Mains requirement: voltage 50 Hz	230/400 V
Mains requirement: voltage 60 Hz	265/460 V
Motor protection	3TF
Nominal pumping speed	2,160-5,190 m ³ /h 1,271.38-3,054.83 cfm 36,000-86,500 l/min
Nominal pumping speed at 50 Hz	4,325 m ³ /h 2,545.7 cfm 72,083.33 l/min
Nominal pumping speed at 60 Hz	5,190 m ³ /h 3,054.83 cfm 86,500 l/min
Nominal pumping speed max.	5,190 m ³ /h 3,054.83 cfm 86,500 l/min
Nominal pumping speed min.	2,160 m ³ /h 1,271.38 cfm 36,000 l/min
Nominal rotation speed at 50 Hz	3,000 rpm 3,000 min ⁻¹
Nominal rotation speed at 60 Hz	3,600 rpm 3,600 min ⁻¹
Operating fluid	P3
Operating fluid filling	6.8 l
Protection category	IP55
Rated power 50 Hz	11 kW
Rated power 60 Hz	13 kW
Rotation speed	1,500-3,600 rpm 1,500-3,600 min ⁻¹

Technical Data	Okta 4000 ATEX, Roots pump, 230/400 V, 50 Hz 265/460 V, 60 Hz Ex II 3/3G Exh IIB T3 Gc X +5 °C T _a +40 °C
Version	Ex II 3/3G Exh IIB T3 Gc X +5 °C ≤ T _a +40 °C with motor, magnetic coupling and blocked over flow-valve
Voltage: Range	± 5 %
Weight: with motor	700 kg 1,543.22 lb

Order number	
Okta 4000 ATEX	PP W73 300

Accessories	
Flanges/Ports Blank flanges	
Blank Flange Set for Okta 4000/M/ATEX Okta 6000/M, DN PN16 (stainless steel)	PP 045 889 -T
Mounting Screw sets	
Screw Set for Okta 4000/M/ATEX Okta 6000/M, DN PN16, Zinc-Plated Steel	PP 045 884 -T
Mounting Sealing kits	
Seal Kit (FKM) for Okta 4000/M/ATEX Okta 6000/M, DN PN16	PP 045 890 -T
Tools Toolkits	
Tool kit for Okta 2000/M Okta 4000/M Okta 6000/M	PP 031 083 AT
Consumables	
P3, mineral oil, 0.5 l	PK 001 136 -T
P3, mineral oil, 1 l	PK 001 106 -T
P3, mineral oil, 20 l	PK 001 108 -T
P3, mineral oil, 5 l	PK 001 107 -T

VACUUM SOLUTIONS FROM A SINGLE SOURCE

Pfeiffer Vacuum stands for innovative and custom vacuum solutions worldwide, technological perfection, competent advice and reliable service.

COMPLETE RANGE OF PRODUCTS

From a single component to complex systems:

We are the only supplier of vacuum technology that provides a complete product portfolio.

COMPETENCE IN THEORY AND PRACTICE

Benefit from our know-how and our portfolio of training opportunities!

We support you with your plant layout and provide first-class on-site service worldwide.

Are you looking for a
perfect vacuum solution?
Please contact us:

Pfeiffer Vacuum GmbH
Headquarters · Germany
T +49 6441 802-0
info@pfeiffer-vacuum.de

www.pfeiffer-vacuum.com

All data subject to change without prior notice.

PFEIFFER  **VACUUM**