



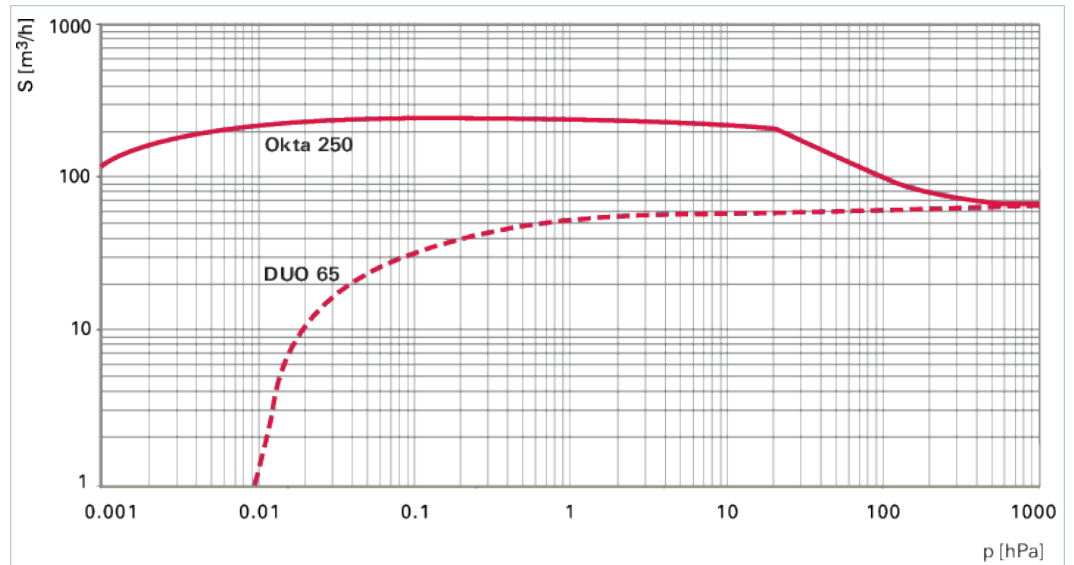
**Okta 250 M, roots vacuum pump,  
230/400 V, 50 Hz | 265/460 V, 60 Hz**



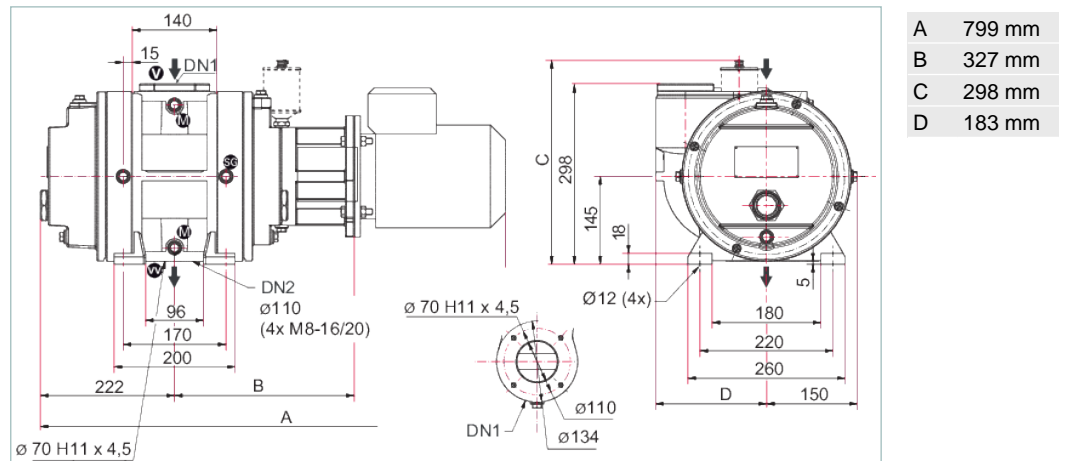
Similar Image

## Okta 250 M, roots vacuum pump, 230/400 V, 50 Hz | 265/460 V, 60 Hz

- High-performance roots vacuum pump with a pumping speed of 145 to 440 m<sup>3</sup>/h and magnetic coupling
- With 3-phase motor, IE3
- No thermal overload thanks to integral overflow valve
- For applications in the low and medium vacuum range



### Dimensions



Technical Data	Okta 250 M, roots vacuum pump, 230/400 V, 50 Hz   265/460 V, 60 Hz
Ambient temperature	5-40 °C   41-104 °F   278-313 K
Cooling method, standard	Air
Differential pressure at the overflow valve	75 hPa   56.25 Torr   75 mbar
Differential pressure max.	75 hPa
Dimensions (L x W x H)	799 x 333 x 298 mm   31.46 x 13.11 x 11.73 inch
Emission sound pressure level (EN ISO 2151) at intake pressure 10 hPa	75 dB(A)

<b>Technical Data</b>		<b>Okta 250 M, roots vacuum pump, 230/400 V, 50 Hz   265/460 V, 60 Hz</b>	
Emission sound pressure level (EN ISO 2151) at intake pressure 1 hPa	70 dB(A)		
Flange (in)	DN 63 ISO-F		
Flange (out)	DN 63 ISO-F		
Leak rate	1 · 10 <sup>-6</sup> Pa m <sup>3</sup> /s   7.5 · 10 <sup>-6</sup> Torr l/s   1 · 10 <sup>-5</sup> mbar l/s		
Mains requirement: voltage 50 Hz	230/400 V		
Mains requirement: voltage 60 Hz	265/460 V		
Motor protection	3TF		
Nominal pumping speed	145-440 m <sup>3</sup> /h   85.35-258.98 cfm   2,416.67-7,333.33 l/min		
Nominal pumping speed at 50 Hz	290 m <sup>3</sup> /h   170.69 cfm   4,833.33 l/min		
Nominal pumping speed at 60 Hz	350 m <sup>3</sup> /h   206.01 cfm   5,833.33 l/min		
Nominal pumping speed max.	440 m <sup>3</sup> /h   258.98 cfm   7,333.33 l/min		
Nominal pumping speed min.	145 m <sup>3</sup> /h   85.35 cfm   2,416.67 l/min		
Nominal rotation speed at 50 Hz	3,000 rpm   3,000 min <sup>-1</sup>		
Nominal rotation speed at 60 Hz	3,600 rpm   3,600 min <sup>-1</sup>		
Operating fluid	P3		
Operating fluid filling	1.5 l		
Protection category	IP55		
Rated power 50 Hz	0.75 kW		
Rated power 60 Hz	0.9 kW		
Rotation speed	1,500-4,500 rpm   1,500-4,500 min <sup>-1</sup>		
Version	Standard with motor and magnetic coupling		
Voltage: Range	± 5 %		
Weight: with motor	122 kg   268.96 lb		
<b>Order number</b>			
Okta 250 M	<b>PP W22 000</b>		

<b>Accessories</b>	
<b>Connections Gear chamber evacuation</b>	
Gear box evacuation (plastic tube) for Okta 250/M   Okta 500/M (DN ISO-F), G 3/8 (3x)	PP 041 455 -T
Gear Box Evacuation (Stainless Steel - Corrugated hose) for Okta 250/M   Okta 500/M (DN ISO-F), G 3/8 (3x)	PP 041 456 -T
<b>Control Devices Frequency converters</b>	
Frequency converter Okta 250/M installed in the control cabinet	PP 078 292 -T
<b>Flanges/Ports Blank flanges</b>	
Blank flange set for Okta 250/M, Stainless steel	PP 041 452 -T
Blank Flange Set for Okta 250/M, DN ISO-K (stainless steel)	PP 041 453 -T
<b>Monitoring Oil/Operating fluid level monitoring</b>	
Oil level monitoring 20–250 V AC for Okta 250/M   Okta 300/M   Okta 500/M   Okta 600/M   Okta 800/M   Okta 1000/M   Okta 2000/M   Okta 4000/M   Okta 6000/M, G 1 ¼	PK 004 930 -U
Oil level monitoring 24 V DC for Okta 250/M   Okta 300/M   Okta 500/M   Okta 600/M   Okta 800/M   Okta 1000/M   Okta 2000/M   Okta 4000/M   Okta 6000/M, G 1 ¼	PK 005 639 -U
<b>Monitoring Oil compensating lines with oil level monitoring</b>	
Oil compensating line with oil level monitoring for Okta 250/M, G 3/8 (4x), G 1 ¼ (1x)	PP 031 452 -T
<b>Monitoring Temperature sensors</b>	
Temperature Sensor for Okta 250/M   Okta 500/M   Okta 1000/M   Okta 2000/M   Okta 4000/M   Okta 6000/M   Okta 500 G   Okta 1500 G   Okta 4000 G, G 3/8	PP 041 457 -T
<b>Mounting Adjusting elements for fastening the feet</b>	
Setting elements for foot mounting for Okta 250/M   Okta 300/M   Okta 500/M   Okta 600/M   Okta 800/M   Okta 1000/M, 35 mm	PP 041 454 -T
<b>Mounting Claw sets DN ISO-K</b>	
Claw set for Okta 250/M, DN ISO-K, Stainless steel	PP 041 449 -T
Claw Set for Okta 250 / M, DN ISO-K, Zinc-Plated Steel	PP 041 451 -T
<b>Mounting Screw sets</b>	
Screw Set for Okta 250/M, DN ISO-F, Zinc-Plated Steel	PP 041 444 -T
Screw Set for Okta 250/M, DN ISO-F, Stainless Steel	PP 041 448 -T
<b>Mounting Sealing kits</b>	
Centering Ring with Outer Ring for Vacuum Flange and Fore-Vacuum Flange for Okta 250/M, DN ISO-F	PF 303 106 -T
<b>Protection Flushing devices</b>	
Sprayer DN ISO-F for Okta 250/M	PP 041 441 -T
<b>Protection Sealing gas kits</b>	
Sealing gas kit (plastic tube) for Okta 250/M   Okta 300/M   Okta 500/M   Okta 600/M   Okta 800/M   Okta 1000/M   Okta 2000/M   Okta 4000/M   Okta 6000/M   Okta 8000   Okta 1500 G   Okta 4000 G   Okta 8000 G, G 3/8 (4x)	PP 027 401 -T
<b>Protection Splinter shields</b>	
Splinter shield for Okta 250/M	PK 300 010 -X

<b>Accessories</b>	
<b>Consumables</b>	
P3, mineral oil, 1 l	PK 001 106 -T

## **VACUUM SOLUTIONS FROM A SINGLE SOURCE**

Pfeiffer Vacuum stands for innovative and custom vacuum solutions worldwide, technological perfection, competent advice and reliable service.

## **COMPLETE RANGE OF PRODUCTS**

From a single component to complex systems:

We are the only supplier of vacuum technology that provides a complete product portfolio.

## **COMPETENCE IN THEORY AND PRACTICE**

Benefit from our know-how and our portfolio of training opportunities!

We support you with your plant layout and provide first-class on-site service worldwide.

Are you looking for a  
perfect vacuum solution?  
Please contact us:

**Pfeiffer Vacuum GmbH**  
Headquarters · Germany  
T +49 6441 802-0  
info@pfeiffer-vacuum.de

[www.pfeiffer-vacuum.com](http://www.pfeiffer-vacuum.com)

All data subject to change without prior notice.

**PFEIFFER**  **VACUUM**