



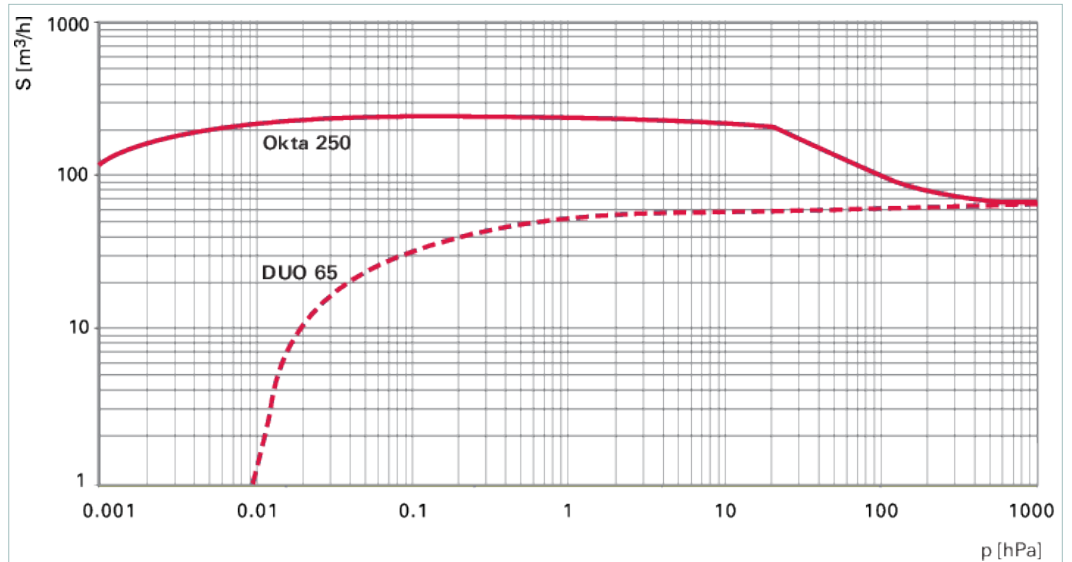
**Okta 250, roots vacuum pump,
230/400 V, 50 Hz | 265/460 V, 60 Hz**



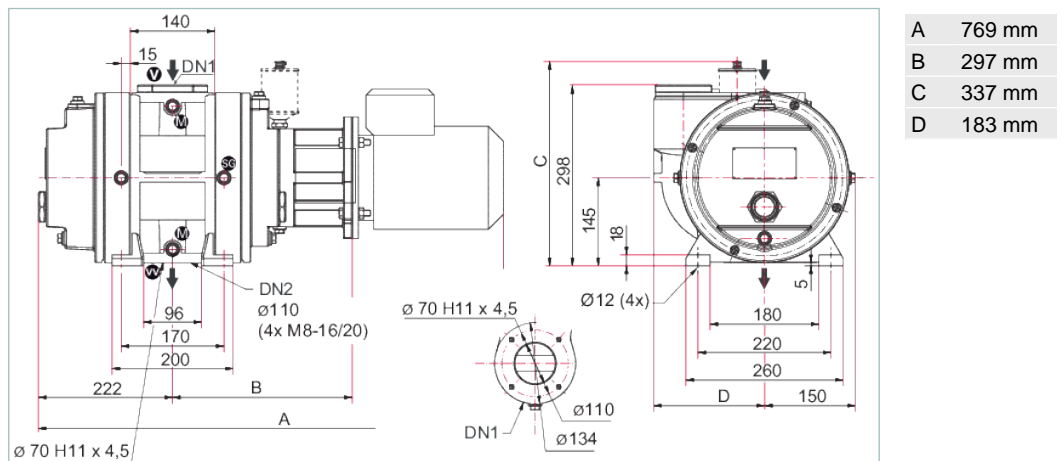
Similar Image

Okta 250, roots vacuum pump, 230/400 V, 50 Hz | 265/460 V, 60 Hz

- High-performance roots vacuum pump with a pumping speed of 145 to 440 m³/h
- With 3-phase motor, IE3
- No thermal overload thanks to integral overflow valve
- For applications in the low and medium vacuum



Dimensions



Technical Data	Okta 250, roots vacuum pump, 230/400 V, 50 Hz 265/460 V, 60 Hz
Ambient temperature	5-40 °C 41-104 °F 278-313 K
Cooling method, standard	Air
Differential pressure at the overflow valve	75 hPa 56.25 Torr 75 mbar
Differential pressure max.	75 hPa
Dimensions (L x W x H)	769 x 333 x 337 mm 30.28 x 13.11 x 13.27 inch
Emission sound pressure level (EN ISO 2151) at intake pressure 10 hPa	75 dB(A)
Emission sound pressure level (EN ISO 2151) at intake pressure 1 hPa	70 dB(A)

Technical Data	Okta 250, roots vacuum pump, 230/400 V, 50 Hz 265/460 V, 60 Hz
Flange (in)	DN 63 ISO-F
Flange (out)	DN 63 ISO-F
Leak rate	1 · 10 ⁻³ Pa m ³ /s 7.5 · 10 ⁻³ Torr l/s 1 · 10 ⁻² mbar l/s
Mains requirement: voltage 50 Hz	230/400 V
Mains requirement: voltage 60 Hz	265/460 V
Motor protection	3TF
Nominal pumping speed	145-440 m ³ /h 85.35-258.98 cfm 2,416.67-7,333.33 l/min
Nominal pumping speed at 50 Hz	290 m ³ /h 170.69 cfm 4,833.33 l/min
Nominal pumping speed at 60 Hz	350 m ³ /h 206.01 cfm 5,833.33 l/min
Nominal pumping speed max.	440 m ³ /h 258.98 cfm 7,333.33 l/min
Nominal pumping speed min.	145 m ³ /h 85.35 cfm 2,416.67 l/min
Nominal rotation speed at 50 Hz	3,000 rpm 3,000 min ⁻¹
Nominal rotation speed at 60 Hz	3,600 rpm 3,600 min ⁻¹
Operating fluid	P3
Operating fluid filling	1.5 l
Protection category	IP55
Rated power 50 Hz	0.75 kW
Rated power 60 Hz	0.9 kW
Rotation speed	1,500-4,500 rpm 1,500-4,500 min ⁻¹
Version	Standard with motor
Voltage: Range	± 5 %
Weight: with motor	95 kg 209.44 lb

Order number	
Okta 250	PP W21 000

Accessories	
Connections Gear chamber evacuation	
Gear box evacuation (plastic tube) for Okta 250/M Okta 500/M (DN ISO-F), G 3/8 (3x)	PP 041 455 -T
Gear Box Evacuation (Stainless Steel - Corrugated hose) for Okta 250/M Okta 500/M (DN ISO-F), G 3/8 (3x)	PP 041 456 -T
Control Devices Frequency converters	
Frequency converter Okta 250/M installed in the control cabinet	PP 078 292 -T
Flanges/Ports Blank flanges	
Blank flange set for Okta 250/M, Stainless steel	PP 041 452 -T
Blank Flange Set for Okta 250/M, DN ISO-K (stainless steel)	PP 041 453 -T
Monitoring Oil/Operating fluid level monitoring	
Oil level monitoring 20–250 V AC for Okta 250/M Okta 300/M Okta 500/M Okta 600/M Okta 800/M Okta 1000/M Okta 2000/M Okta 4000/M Okta 6000/M, G 1 ¼	PK 004 930 -U
Oil level monitoring 24 V DC for Okta 250/M Okta 300/M Okta 500/M Okta 600/M Okta 800/M Okta 1000/M Okta 2000/M Okta 4000/M Okta 6000/M, G 1 ¼	PK 005 639 -U
Monitoring Oil compensating lines with oil level monitoring	
Oil compensating line with oil level monitoring for Okta 250/M, G 3/8 (4x), G 1 ¼ (1x)	PP 031 452 -T
Monitoring Temperature sensors	
Temperature Sensor for Okta 250/M Okta 500/M Okta 1000/M Okta 2000/M Okta 4000/M Okta 6000/M Okta 500 G Okta 1500 G Okta 4000 G, G 3/8	PP 041 457 -T
Mounting Adjusting elements for fastening the feet	
Setting elements for foot mounting for Okta 250/M Okta 300/M Okta 500/M Okta 600/M Okta 800/M Okta 1000/M, 35 mm	PP 041 454 -T
Mounting Claw sets DN ISO-K	
Claw set for Okta 250/M, DN ISO-K, Stainless steel	PP 041 449 -T
Claw Set for Okta 250 / M, DN ISO-K, Zinc-Plated Steel	PP 041 451 -T
Mounting Screw sets	
Screw Set for Okta 250/M, DN ISO-F, Zinc-Plated Steel	PP 041 444 -T
Screw Set for Okta 250/M, DN ISO-F, Stainless Steel	PP 041 448 -T
Mounting Sealing kits	
Centering Ring with Outer Ring for Vacuum Flange and Fore-Vacuum Flange for Okta 250/M, DN ISO-F	PF 303 106 -T
Protection Flushing devices	
Sprayer DN ISO-F for Okta 250/M	PP 041 441 -T
Protection Sealing gas kits	
Sealing gas kit (plastic tube) for Okta 250/M Okta 300/M Okta 500/M Okta 600/M Okta 800/M Okta 1000/M Okta 2000/M Okta 4000/M Okta 6000/M Okta 8000 Okta 1500 G Okta 4000 G Okta 8000 G, G 3/8 (4x)	PP 027 401 -T
Protection Splinter shields	
Splinter shield for Okta 250/M	PK 300 010 -X

Accessories	
Consumables	
P3, mineral oil, 1 l	PK 001 106 -T

VACUUM SOLUTIONS FROM A SINGLE SOURCE

Pfeiffer Vacuum stands for innovative and custom vacuum solutions worldwide, technological perfection, competent advice and reliable service.

COMPLETE RANGE OF PRODUCTS

From a single component to complex systems:

We are the only supplier of vacuum technology that provides a complete product portfolio.

COMPETENCE IN THEORY AND PRACTICE

Benefit from our know-how and our portfolio of training opportunities!

We support you with your plant layout and provide first-class on-site service worldwide.

Are you looking for a
perfect vacuum solution?
Please contact us:

Pfeiffer Vacuum GmbH
Headquarters · Germany
T +49 6441 802-0
info@pfeiffer-vacuum.de

www.pfeiffer-vacuum.com

All data subject to change without prior notice.

PFEIFFER  **VACUUM**