



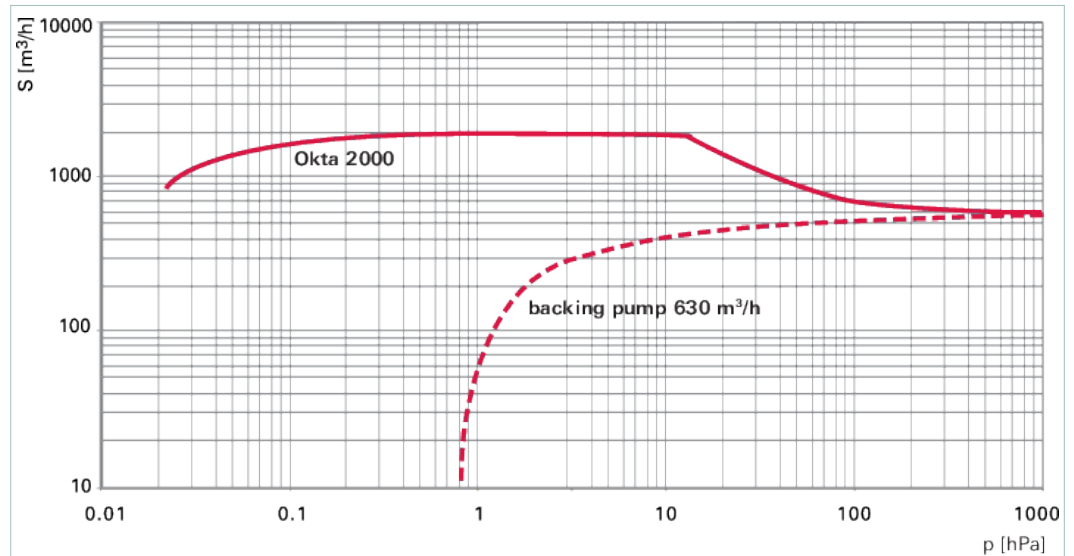
**Okta 2000 ATEX, Roots pump,
230/400 V, 50 Hz | 265/460 V, 60
Hz | Ex II 3/3G Ex h IIB T3 Gc X+5
 $^{\circ}\text{C} \leq T_a \leq +40^{\circ}\text{C}$**



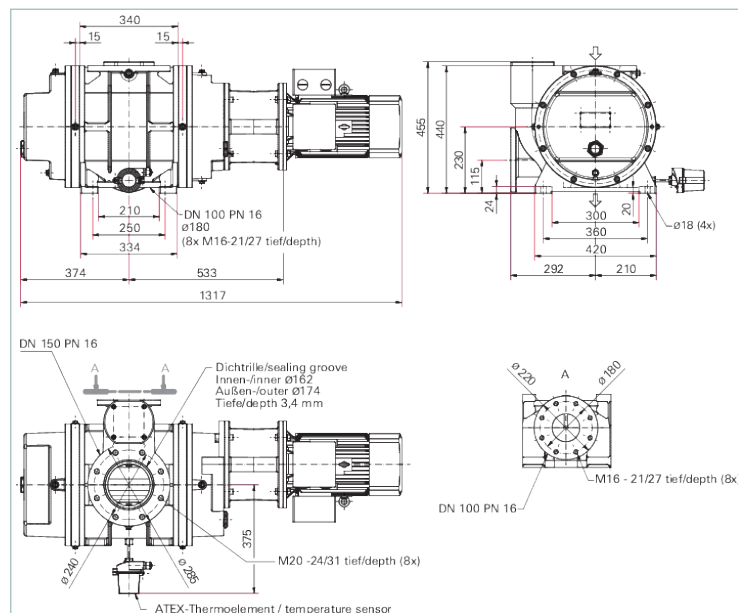
Similar Image

Okta 2000 ATEX, Roots pump, 230/400 V, 50 Hz | 265/460 V, 60 Hz | Ex II 3/3G Ex h IIB T3 Gc X+5 °C T_a +40 °C

- High-performance Roots pump with a pumping speed of 2160 to 5190 m³/h
- PTFE overflow-valve (p = 20 hPa)
- For operation with frequency converter or switch-on at a defined backing pressure, i. e. for continuous processes
- With 3-phase motor II 2G Ex de IIC T4
- Pumps are hermetically sealed (leak rate $\leq 1 \cdot 10^{-6}$ Pa m³/s) – risk of zone entrainment is minimized
- Pressure surge resistance according to EN 1333, PN level 16
- Explosion safety due to reliable construction and temperature monitoring – installation without additional flame arrester possible
- Note: For the operation of the pumps, the terms of the operating instructions apply. We are pleased to provide you with the right solution for your application!
- Working conditions: Pump is inside and outside suitable for operation in equipment class II, equipment category 3 (G) for gases and vapors of explosion class IIA and IIB, temperature class T3 according directive 2014/34/EU



Dimensions



A	1356 mm
B	533 mm
C	455 mm
D	292 mm

Technical Data	Okta 2000 ATEX, Roots pump, 230/400 V, 50 Hz 265/460 V, 60 Hz Ex II 3/3G Ex h IIB T3 Gc X+5 °C T _a +40 °C
Ambient temperature	5-40 °C 41-104 °F 278-313 K
Cooling method, standard	Air
Differential pressure max.	20 hPa
Dimensions (L x W x H)	1,356 x 502 x 458 mm 53.39 x 19.76 x 18.03 inch
Emission sound pressure level (EN ISO 2151) at intake pressure 10 hPa	75 dB(A)
Emission sound pressure level (EN ISO 2151) at intake pressure 1 hPa	72 dB(A)
Flange (in)	DN 150 PN 16
Flange (out)	DN 100 PN 16
Leak rate	1 · 10 ⁻⁶ Pa m ³ /s 7.5 · 10 ⁻⁶ Torr l/s 1 · 10 ⁻⁵ mbar l/s
Mains requirement: voltage 50 Hz	230/400 V
Mains requirement: voltage 60 Hz	265/460 V
Motor protection	3TF
Nominal pumping speed	1,075-2,585 m ³ /h 632.75-1,521.53 cfm 17,916.67-43,083.33 l/min
Nominal pumping speed at 50 Hz	2,155 m ³ /h 1,268.43 cfm 35,916.67 l/min
Nominal pumping speed at 60 Hz	2,585 m ³ /h 1,521.53 cfm 43,083.33 l/min
Nominal pumping speed max.	2,585 m ³ /h 1,521.53 cfm 43,083.33 l/min
Nominal pumping speed min.	1,075 m ³ /h 632.75 cfm 17,916.67 l/min
Nominal rotation speed at 50 Hz	3,000 rpm 3,000 min ⁻¹
Nominal rotation speed at 60 Hz	3,600 rpm 3,600 min ⁻¹
Operating fluid	P3
Operating fluid filling	5 l
Protection category	IP55
Rated power 50 Hz	5.5 kW
Rated power 60 Hz	6.3 kW
Rotation speed	1,500-3,600 rpm 1,500-3,600 min ⁻¹
Version	Ex II 3/3G Exh IIB T3 Gc X +5 °C ≤ T _a +40 °C with motor, magnetic coupling and overflow-valve
Voltage: Range	± 5 %
Weight: with motor	390 kg 859.79 lb

Order number	
Okta 2000 ATEX	PP W63 350

Accessories	
Flanges/Ports Blank flanges	
Blank flange set for Okta 1000/M/ATEX Okta 2000/M/ATEX, DN PN16, (stainless steel)	PP 043 885 -T
Mounting Screw sets	
Screw Set for Okta 2000/M/ATEX, DN PN16, Zinc-Plated Steel	PP 144 117 -T
Mounting Sealing kits	
Seal Kit (FKM) for Okta 1000/M/ATEX Okta 2000/M/ATEX, DN PN16	PP 043 886 -T
Operating Fluids Mineral oil	
P3, mineral oil, 0.5 l	PK 001 136 -T
P3, mineral oil, 1 l	PK 001 106 -T
P3, mineral oil, 20 l	PK 001 108 -T
P3, mineral oil, 5 l	PK 001 107 -T

VACUUM SOLUTIONS FROM A SINGLE SOURCE

Pfeiffer Vacuum stands for innovative and custom vacuum solutions worldwide, technological perfection, competent advice and reliable service.

COMPLETE RANGE OF PRODUCTS

From a single component to complex systems:

We are the only supplier of vacuum technology that provides a complete product portfolio.

COMPETENCE IN THEORY AND PRACTICE

Benefit from our know-how and our portfolio of training opportunities!

We support you with your plant layout and provide first-class on-site service worldwide.

Are you looking for a
perfect vacuum solution?
Please contact us:

Pfeiffer Vacuum GmbH
Headquarters · Germany
T +49 6441 802-0
info@pfeiffer-vacuum.de

www.pfeiffer-vacuum.com

All data subject to change without prior notice.

PFEIFFER  **VACUUM**