

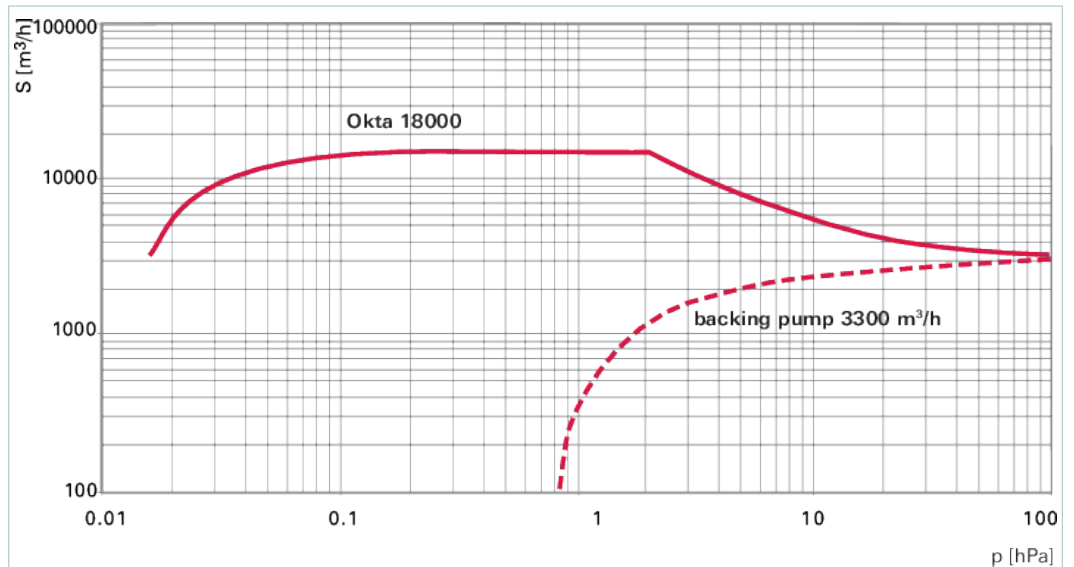
**Okta 18000, Roots pump, 400/690  
V, 50 Hz | 460 V, 60 Hz**



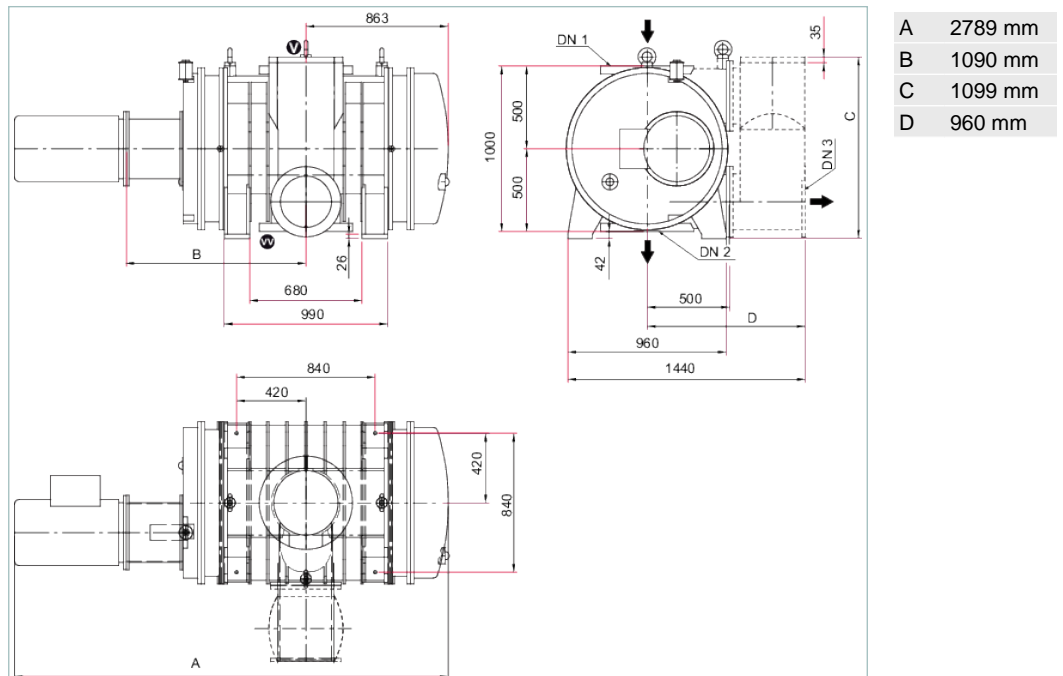
Similar Image

## Okta 18000, Roots pump, 400/690 V, 50 Hz | 460 V, 60 Hz

- High-performance Roots pump with a pumping speed of 7310 to 27400 m<sup>3</sup>/h
- For mains voltage: 400 V, 50 Hz respectively 460 V, 60 Hz
- No thermal overload thanks to integral overflow valve
- For applications in the low and medium vacuum



### Dimensions



### Technical Data

Okta 18000, Roots pump, 400/690 V, 50 Hz | 460 V, 60 Hz

Ambient temperature	5-40 °C   41-104 °F   278-313 K
Cooling method, standard	Air
Differential pressure at the overflow valve	7 hPa   5.25 Torr   7 mbar

Technical Data	Okta 18000, Roots pump, 400/690 V, 50 Hz   460 V, 60 Hz
Differential pressure max.	7 hPa
Dimensions (L x W x H)	2,789 x 1,463 x 1,099 mm   109.8 x 57.6 x 43.27 inch
Emission sound pressure level (EN ISO 2151) at intake pressure 10 hPa	79 dB(A)
Emission sound pressure level (EN ISO 2151) at intake pressure 1 hPa	75 dB(A)
Flange (in)	DN 400 PN 10
Flange (out)	DN 400 PN 10
Leak rate	1 · 10 <sup>-3</sup> Pa m <sup>3</sup> /s   7.5 · 10 <sup>-3</sup> Torr l/s   1 · 10 <sup>-2</sup> mbar l/s
Mains requirement: voltage 50 Hz	400/690 V
Mains requirement: voltage 60 Hz	460 V
Motor protection	3TF
Nominal pumping speed	7,310-27,400 m <sup>3</sup> /h   4,302.67-16,127.64 cfm   121,833.33-456,666.67 l/min
Nominal pumping speed at 50 Hz	18,270 m <sup>3</sup> /h   10,753.72 cfm   304,500 l/min
Nominal pumping speed at 60 Hz	21,925 m <sup>3</sup> /h   12,905.06 cfm   365,416.67 l/min
Nominal pumping speed max.	27,400 m <sup>3</sup> /h   16,127.64 cfm   456,666.67 l/min
Nominal pumping speed min.	7,310 m <sup>3</sup> /h   4,302.67 cfm   121,833.33 l/min
Nominal rotation speed at 50 Hz	1,500 rpm   1,500 min <sup>-1</sup>
Nominal rotation speed at 60 Hz	1,800 rpm   1,800 min <sup>-1</sup>
Operating fluid	P3
Operating fluid filling	68 l
Protection category	IP55
Rated power 50 Hz	45 kW
Rated power 60 Hz	52 kW
Rotation speed	1,200-2,250 rpm   1,200-2,250 min <sup>-1</sup>
Version	Standard with motor
Voltage: Range	±5 %
Weight: with motor	3,225 kg   7,109.84 lb

Order number	
Okta 18000	PP W90 000

<b>Accessories</b>	
<b>Control Devices Frequency converters</b>	
Frequency converter Okta 18000 installed in the control cabinet	PP 078 316 -T
<b>Cooling Finned tube coolers</b>	
Finned tube cooler for Okta 18000, G 1/2 (2x)	PP 048 149 -T
<b>Flanges/Ports Blank flanges</b>	
Blank Flange Set for Okta 18000, DN PN10 (stainless steel)	PP 048 151 -T
<b>Monitoring Temperature sensors</b>	
Temperature Sensor for Okta 8000  18000   Okta 8000 G, G 3/8	PP 048 156 -T
<b>Mounting Adjusting elements for fastening the feet</b>	
Setting elements for foot mounting for Okta 18000, 35 mm	PP 048 155 -T
<b>Mounting Screw sets</b>	
Screw Set for Okta 18000, ISO-K, Zinc-Plated Steel	PP 048 153 -T
<b>Mounting Sealing kits</b>	
Seal kit (FKM) for Okta 18000, DN PN10	PP 048 154 -T
<b>Protection Flushing devices</b>	
Sprayer DN PN16/PN10 for Okta 18000	PP 048 150 -T
<b>Protection Sealing gas kits</b>	
Sealing Gas Kit (Steel Tubing) for Okta 18000, G 1/2 (4x)	PP 048 068 -T
<b>Protection Splinter shields</b>	
Splinter shield for Okta 18000	PP 030 336 -T
<b>Consumables</b>	
P3, mineral oil, 1 l	PK 001 106 -T
P3, mineral oil, 5 l	PK 001 107 -T
P3, mineral oil, 20 l	PK 001 108 -T

## **VACUUM SOLUTIONS FROM A SINGLE SOURCE**

Pfeiffer Vacuum stands for innovative and custom vacuum solutions worldwide, technological perfection, competent advice and reliable service.

## **COMPLETE RANGE OF PRODUCTS**

From a single component to complex systems:

We are the only supplier of vacuum technology that provides a complete product portfolio.

## **COMPETENCE IN THEORY AND PRACTICE**

Benefit from our know-how and our portfolio of training opportunities!

We support you with your plant layout and provide first-class on-site service worldwide.

Are you looking for a  
perfect vacuum solution?  
Please contact us:

**Pfeiffer Vacuum GmbH**  
Headquarters · Germany  
T +49 6441 802-0  
info@pfeiffer-vacuum.de

[www.pfeiffer-vacuum.com](http://www.pfeiffer-vacuum.com)

All data subject to change without prior notice.

**PFEIFFER**  **VACUUM**