



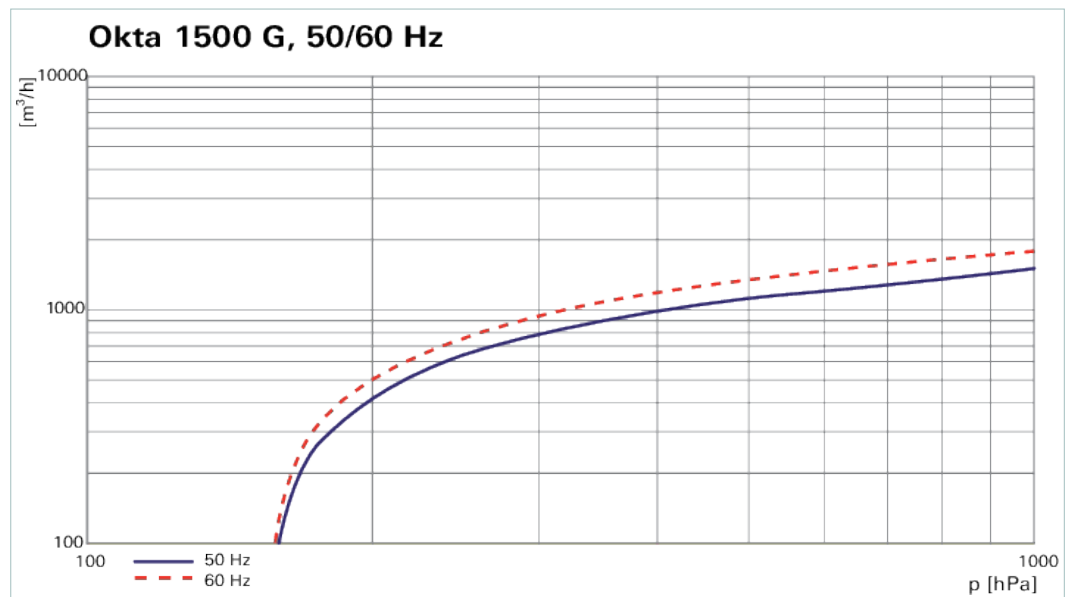
Okta 1500 G, gas-cooled Roots pump without motor, DN 160 ISO-F



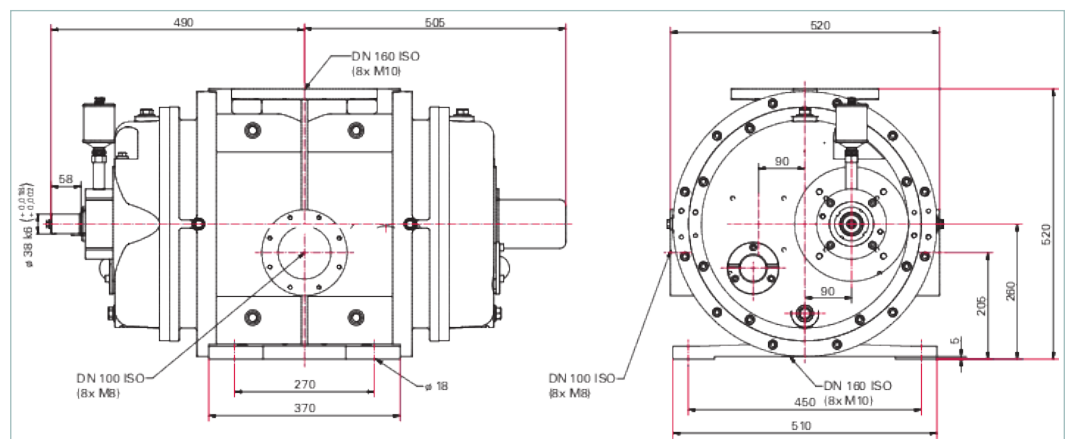
Similar Image

Okta 1500 G, gas-cooled Roots pump without motor, DN 160 ISO-F

- High-performance gas cooled roots pump with a pumping speed from 750 to 3600 m³/h
- For applications in the low and medium vacuum
- Single stage pressure range from 130 to 1013 hPa, in series with smaller final pressure
- Connection flange DN 160 ISO-F
- No thermal overload thanks to gas cooling
- With sealing gas connection
- Customized design and offer for motor, gas cooler, and coupling on request



Dimensions



Technical Data	Okta 1500 G, gas-cooled Roots pump without motor, DN 160 ISO-F
Ambient temperature	5-40 °C 41-104 °F 278-313 K
Cooling gas connection	DN 100 ISO-F
Cooling method, standard	Gas-cooled
Flange (in)	DN 160 ISO-F
Flange (out)	DN 160 ISO-F

Technical Data	Okta 1500 G, gas-cooled Roots pump without motor, DN 160 ISO-F
Leak rate	$1 \cdot 10^{-3}$ Pa m ³ /s $7.5 \cdot 10^{-3}$ Torr l/s $1 \cdot 10^{-2}$ mbar l/s
Noise level with connected exhaust line	75 – 105 dB (A)
Nominal pumping speed	750-3,600 m ³ /h 441.45-2,118.96 cfm 12,500-60,000 l/min
Nominal pumping speed at 50 Hz	1,500 m ³ /h 882.9 cfm 25,000 l/min
Nominal pumping speed at 60 Hz	1,800 m ³ /h 1,059.48 cfm 30,000 l/min
Nominal pumping speed max.	3,600 m ³ /h 2,118.96 cfm 60,000 l/min
Nominal pumping speed min.	750 m ³ /h 441.45 cfm 12,500 l/min
Nominal rotation speed at 50 Hz	1,500 rpm 1,500 min ⁻¹
Nominal rotation speed at 60 Hz	1,800 rpm 1,800 min ⁻¹
Operating fluid	P3
Operating fluid filling	7 l
Power consumption max.	30 kW
Protection category	IP55
Rotation speed	750-3,600 rpm 750-3,600 min ⁻¹
Sealing gas	true
Ultimate pressure without gas ballast	$1.3 \cdot 10^2$ hPa $9.75 \cdot 10^1$ Torr $1.3 \cdot 10^2$ mbar
Weight: without motor	460 kg 1,014.12 lb
Order number	
Okta 1500 G	PP G50 001

Accessories	
Flanges/Ports Blank flanges	
Blank Flange Set for Okta 1500 G, DN PN16 (stainless steel)	PP 014 540 -T
Monitoring Temperature sensors	
Temperature Sensor for Okta 250/M Okta 500/M Okta 1000/M Okta 2000/M Okta 4000/M Okta 6000/M Okta 500 G Okta 1500 G Okta 4000 G, G 3/8	PP 041 457 -T
Mounting Adjusting elements for fastening the feet	
Setting elements for foot mounting for Okta 2000/M/ATEX Okta 4000/M/ATEX Okta 6000/M Okta 1500 G, 29 mm	PP 144 118 -T
Mounting Screw sets	
Screw Set for Okta 1500 G, DN PN16, Zinc-Plated Steel	PP 014 539 -T
Mounting Sealing kits	
Centering ring with outer ring for vacuum flange and fore-vacuum flange for Okta 1000/M Okta 1500 G Okta 2000/M Okta 4000/M Okta 6000/M, DN ISO-F	PF 303 116 -T
Seal Kit (FKM) for Okta 1500 G, DN PN16	PP 014 541 -T
Protection Flushing devices	
Sprayer DN PN16/PN10 for Okta 1000/M Okta 2000/M Okta 1500 G	PP 031 243 -T
Sprayer DN ISO-F for Okta 1000/M Okta 2000/M Okta 1500 G	PP 031 252 -T
Protection Sealing gas kits	
Sealing gas kit (plastic tube) for Okta 250/M Okta 300/M Okta 500/M Okta 600/M Okta 800/M Okta 1000/M Okta 2000/M Okta 4000/M Okta 6000/M Okta 8000 Okta 1500 G Okta 4000 G Okta 8000 G, G 3/8 (4x)	PP 027 401 -T
Protection Splinter shields	
Splinter shield for Okta 1000/M Okta 2000/M Okta 1500 G	PP 031 114 -X
Splinter shield for Okta 1000/M Okta 2000/M Okta 1500 G	PP 031 115 -X
Consumables	
P3, mineral oil, 5 l	PK 001 107 -T

VACUUM SOLUTIONS FROM A SINGLE SOURCE

Pfeiffer Vacuum stands for innovative and custom vacuum solutions worldwide, technological perfection, competent advice and reliable service.

COMPLETE RANGE OF PRODUCTS

From a single component to complex systems:

We are the only supplier of vacuum technology that provides a complete product portfolio.

COMPETENCE IN THEORY AND PRACTICE

Benefit from our know-how and our portfolio of training opportunities!

We support you with your plant layout and provide first-class on-site service worldwide.

Are you looking for a
perfect vacuum solution?
Please contact us:

Pfeiffer Vacuum GmbH
Headquarters · Germany
T +49 6441 802-0
info@pfeiffer-vacuum.de

www.pfeiffer-vacuum.com

All data subject to change without prior notice.

PFEIFFER  **VACUUM**