



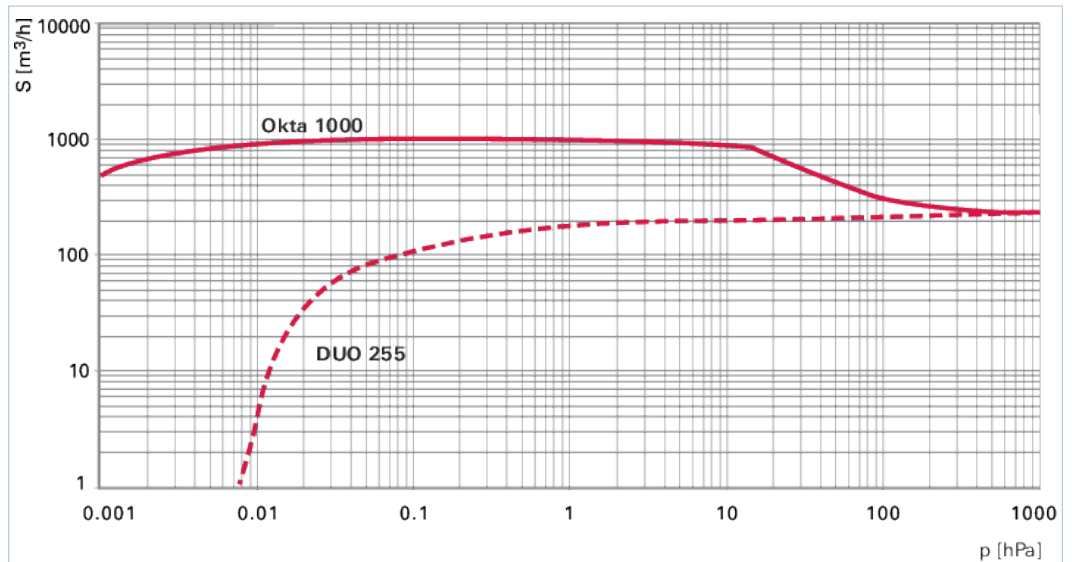
# Okta 1000, Roots pump without motor



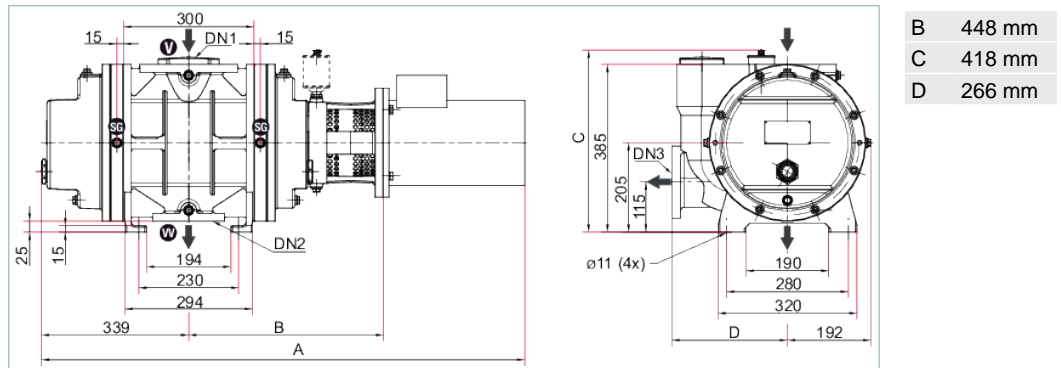
Similar Image

## Okta 1000, Roots pump without motor

- High-performance Roots pump with a pumping speed of 590 to 1,775 m<sup>3</sup>/h
- Without motor (coupling and motor lantern are included in delivery)
- No thermal overload thanks to integral overflow valve
- For applications in the low and medium vacuum



### Dimensions



Technical Data	Okta 1000, Roots pump without motor
Ambient temperature	5-40 °C   41-104 °F   278-313 K
Cooling method, standard	Air
Differential pressure at the overflow valve	45 hPa   33.75 Torr   45 mbar
Differential pressure max.	45 hPa
Dimensions (L x W x H)	787 x 458 x 402 mm   30.98 x 18.03 x 15.83 inch
Emission sound pressure level (EN ISO 2151) at intake pressure 10 hPa	75 dB(A)
Emission sound pressure level (EN ISO 2151) at intake pressure 1 hPa	72 dB(A)
Flange (in)	DN 160 ISO-F
Flange (out)	DN 100 ISO-F
Leak rate	< 1 · 10 <sup>-3</sup> Pa m <sup>3</sup> /s   < 7.5 · 10 <sup>-3</sup> Torr l/s   < 1 · 10 <sup>-2</sup> mbar l/s
Motor protection	3TF

Technical Data	Okta 1000, Roots pump without motor
Nominal pumping speed	590-1,775 m <sup>3</sup> /h   347.27-1,044.77 cfm   9,833.33-29,583.33 l/min
Nominal pumping speed at 50 Hz	1,180 m <sup>3</sup> /h   694.55 cfm   19,666.67 l/min
Nominal pumping speed at 60 Hz	1,420 m <sup>3</sup> /h   835.81 cfm   23,666.67 l/min
Nominal pumping speed max.	1,775 m <sup>3</sup> /h   1,044.77 cfm   29,583.33 l/min
Nominal pumping speed min.	590 m <sup>3</sup> /h   347.27 cfm   9,833.33 l/min
Nominal rotation speed at 50 Hz	3,000 rpm   3,000 min <sup>-1</sup>
Nominal rotation speed at 60 Hz	3,600 rpm   3,600 min <sup>-1</sup>
Operating fluid	P3
Operating fluid filling	2.9 l
Rotation speed	1,500-4,500 rpm   1,500-4,500 min <sup>-1</sup>
Version	Standard without motor
Weight: without motor	215 kg   473.99 lb

Order number	
Okta 1000	PP W41 001

<b>Accessories</b>	
<b>Connections Gear chamber evacuation</b>	
Gear Box Evacuation (Plastic Tube) for Okta 1000 / M, G 3/8 (3x)	PP 043 887 -T
Gear Box Evacuation (Stainless Steel - Corrugated Hose) for Okta 1000/M   Okta 2000/M   Okta 4000/M   Okta 6000/M, G 3/8 (3x)	PP 043 888 -T
<b>Control Devices Frequency converters</b>	
Frequency converter Okta 1000/M installed in the control cabinet	PP 078 300 -T
<b>Flanges/Ports Blank flanges</b>	
Blank flange set for Okta 1000/M   Okta 2000/M, Stainless steel	PP 043 883 -T
Blank Flange Set for Okta 1000/M   Okta 2000/M, DN ISO-K (stainless steel)	PP 043 884 -T
Blank flange set for Okta 1000/M/ATEX   Okta 2000/M/ATEX, DN PN16, (stainless steel)	PP 043 885 -T
<b>Monitoring Oil/Operating fluid level monitoring</b>	
Oil level monitoring 20–250 V AC for Okta 250/M   Okta 300/M   Okta 500/M   Okta 600/M   Okta 800/M   Okta 1000/M   Okta 2000/M   Okta 4000/M   Okta 6000/M, G 1 ¼	PK 004 930 -U
Oil level monitoring 24 V DC for Okta 250/M   Okta 300/M   Okta 500/M   Okta 600/M   Okta 800/M   Okta 1000/M   Okta 2000/M   Okta 4000/M   Okta 6000/M, G 1 ¼	PK 005 639 -U
<b>Monitoring Oil compensating lines with oil level monitoring</b>	
Oil compensating line with oil level monitoring for Okta 1000/M, G 3/8 (4x), G 1 ¼ (1x)	PP 031 447 -T
<b>Monitoring Temperature sensors</b>	
Temperature Sensor for Okta 250/M   Okta 500/M   Okta 1000/M   Okta 2000/M   Okta 4000/M   Okta 6000/M   Okta 500 G   Okta 1500 G   Okta 4000 G, G 3/8	PP 041 457 -T
<b>Mounting Adjusting elements for fastening the feet</b>	
Setting elements for foot mounting for Okta 250/M   Okta 300/M   Okta 500/M   Okta 600/M   Okta 800/M   Okta 1000/M, 35 mm	PP 041 454 -T
<b>Mounting Claw sets DN ISO-K</b>	
Claw set for Okta 1000/M   Okta 2000/M, DN ISO-K, Stainless steel	PP 043 879 -T
Claw Set for Okta 1000/M   Okta 2000/M, DN ISO-K, Zinc-Plated Steel	PP 043 881 -T
<b>Mounting Screw sets</b>	
Screw Set for Okta 1000/M   Okta 2000/M, DN ISO-F, Zinc-Plated Steel	PP 043 873 -T
Screw Set for Okta 1000/M   Okta 2000/M, DN ISO-F, Stainless Steel	PP 043 878 -T
Screw Set for Okta 1000/M/ATEX, DN PN16, Zinc-Plated Steel	PP 043 882 -T

<b>Accessories</b>	
<b>Mounting Sealing kits</b>	
Centering ring with outer ring for vacuum flange for Okta 300/M   Okta 500/M   Okta 500 G   Okta 600/M   Okta 800/M   Okta 1000/M   Okta 2000/M, DN ISO-F	<b>PF 303 110 -T</b>
Centering ring with outer ring for vacuum flange and fore-vacuum flange for Okta 1000/M   Okta 1500 G   Okta 2000/M   Okta 4000/M   Okta 6000/M, DN ISO-F	<b>PF 303 116 -T</b>
Seal Kit (FKM) for Okta 1000/M/ATEX   Okta 2000/M/ATEX, DN PN16	<b>PP 043 886 -T</b>
<b>Protection Flushing devices</b>	
Sprayer DN PN16/PN10 for Okta 1000/M   Okta 2000/M   Okta 1500 G	<b>PP 031 243 -T</b>
Sprayer DN ISO-F for Okta 1000/M   Okta 2000/M   Okta 1500 G	<b>PP 031 252 -T</b>
<b>Protection Sealing gas kits</b>	
Sealing gas kit (plastic tube) for Okta 250/M   Okta 300/M   Okta 500/M   Okta 600/M   Okta 800/M   Okta 1000/M   Okta 2000/M   Okta 4000/M   Okta 6000/M   Okta 8000   Okta 1500 G   Okta 4000 G   Okta 8000 G, G 3/8 (4x)	<b>PP 027 401 -T</b>
<b>Protection Splinter shields</b>	
Splinter shield for Okta 1000/M   Okta 2000/M   Okta 1500 G	<b>PP 031 114 -X</b>
Splinter shield for Okta 1000/M   Okta 2000/M   Okta 1500 G	<b>PP 031 115 -X</b>
<b>Consumables</b>	
P3, mineral oil, 1 l	<b>PK 001 106 -T</b>
P3, mineral oil, 5 l	<b>PK 001 107 -T</b>

## **VACUUM SOLUTIONS FROM A SINGLE SOURCE**

Pfeiffer Vacuum stands for innovative and custom vacuum solutions worldwide, technological perfection, competent advice and reliable service.

## **COMPLETE RANGE OF PRODUCTS**

From a single component to complex systems:

We are the only supplier of vacuum technology that provides a complete product portfolio.

## **COMPETENCE IN THEORY AND PRACTICE**

Benefit from our know-how and our portfolio of training opportunities!

We support you with your plant layout and provide first-class on-site service worldwide.

Are you looking for a  
perfect vacuum solution?  
Please contact us:

**Pfeiffer Vacuum GmbH**  
Headquarters · Germany  
T +49 6441 802-0  
info@pfeiffer-vacuum.de

[www.pfeiffer-vacuum.com](http://www.pfeiffer-vacuum.com)

All data subject to change without prior notice.

**PFEIFFER**  **VACUUM**