



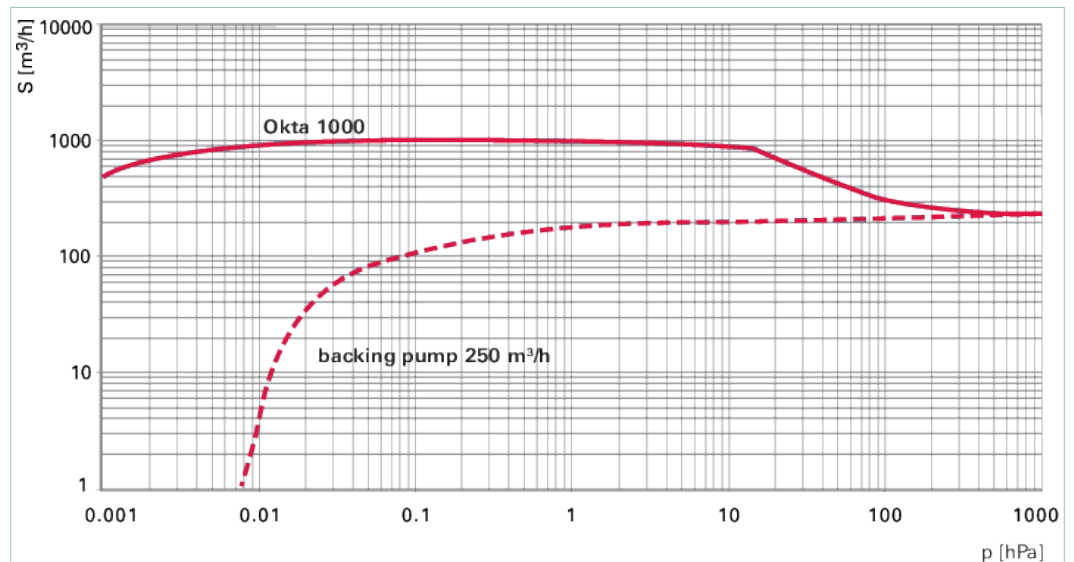
**Okta 1000 ATEX, Roots pump,
230/400 V, 50 Hz | 265/460 V, 60
Hz | Ex II 2/2G Ex h IIB T3 Gb X +5
°C ≤ Ta ≤ +40 °C**



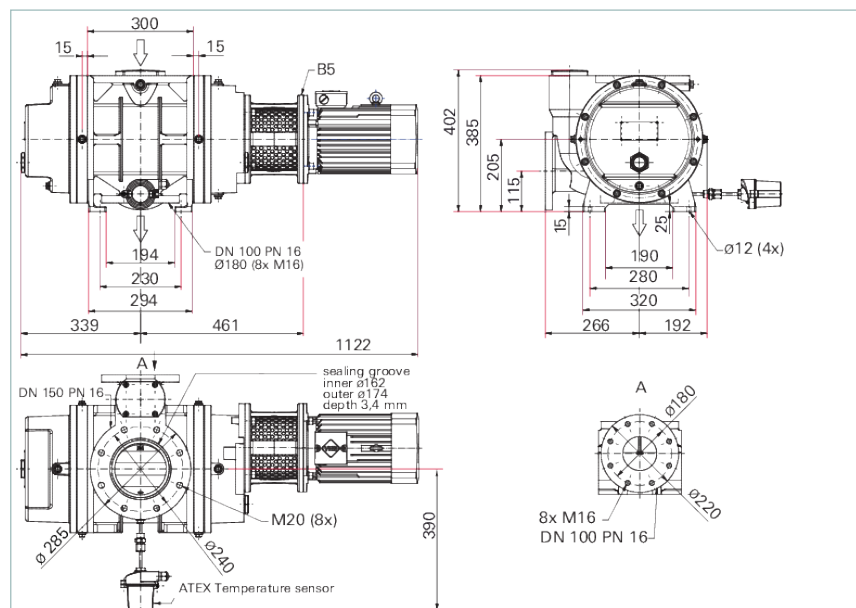
Similar Image

Okta 1000 ATEX, Roots pump, 230/400 V, 50 Hz | 265/460 V, 60 Hz | Ex II 2/2G Ex h IIB T3 Gb X +5 °C T_a +40 °C

- High-performance Roots pump with a pumping speed of 590 to 1420 m³/h
- PTFE overflow valve (p = 30 hPa)
- For operation with frequency converter or switch-on at a defined backing pressure, i. e. for continuous processes
- With 3-phase motor II 2G Ex de IIC T4
- Pumps are hermetically sealed (leak rate $\leq 1 \cdot 10^{-6}$ Pa m³/s) – risk of zone entrainment is minimized
- Pressure surge resistance according to EN 1333, PN level 16
- Explosion safety due to reliable construction and temperature monitoring – installation without additional flame arrester possible
- Note: For the operation of the pumps, the terms of the operating instructions apply. We are pleased to provide you with the right solution for you application!
- Working conditions: Pump is inside and outside suitable for operation in equipment class II, equipment category 2 (G) for gases and vapors of explosion class IIA and IIB, temperature class T3 according directive 2014/34/EU



Dimensions



A	1146 mm
B	461 mm
C	402 mm
D	266 mm

Technical Data		Okta 1000 ATEX, Roots pump, 230/400 V, 50 Hz 265/460 V, 60 Hz Ex II 2/2G Ex h IIB T3 Gb X +5 °C T _a +40 °C
Ambient temperature	5-40 °C 41-104 °F 278-313 K	
Cooling method, standard	Air	
Differential pressure max.	30 hPa	
Dimensions (L x W x H)	1,146 x 458 x 402 mm 45.12 x 18.03 x 15.83 inch	
Emission sound pressure level (EN ISO 2151) at intake pressure 10 hPa	75 dB(A)	
Emission sound pressure level (EN ISO 2151) at intake pressure 1 hPa	72 dB(A)	
Flange (in)	DN 150 PN 16	
Flange (out)	DN 100 PN 16	
Leak rate	1 · 10 ⁻⁶ Pa m ³ /s 7.5 · 10 ⁻⁶ Torr l/s 1 · 10 ⁻⁵ mbar l/s	
Mains requirement: voltage 50 Hz	230/400 V	
Mains requirement: voltage 60 Hz	265/460 V	
Motor protection	3TF	
Motor version	3TF	
Nominal pumping speed	590-1,420 m ³ /h 347.27-835.81 cfm 9,833.33-23,666.67 l/min	
Nominal pumping speed at 50 Hz	1,180 m ³ /h 694.55 cfm 19,666.67 l/min	
Nominal pumping speed at 60 Hz	1,420 m ³ /h 835.81 cfm 23,666.67 l/min	
Nominal pumping speed max.	1,420 m ³ /h 835.81 cfm 23,666.67 l/min	
Nominal pumping speed min.	590 m ³ /h 347.27 cfm 9,833.33 l/min	
Nominal rotation speed at 50 Hz	3,000 rpm 3,000 min ⁻¹	
Nominal rotation speed at 60 Hz	3,600 rpm 3,600 min ⁻¹	
Operating fluid	P3	
Operating fluid filling	2.9 l	
Protection category	IP55	
Rated power 50 Hz	3 kW	
Rated power 60 Hz	3.5 kW	
Rotation speed	1,500-3,600 rpm 1,500-3,600 min ⁻¹	
Version	Ex II 2/2G Ex h IIB T3 Gb X +5 °C ≤ T _a +40 °C with motor, magnetic coupling and overflow-valve	
Voltage: Range	±5 %	
Weight: with motor	290 kg 639.33 lb	
Order number		
Okta 1000 ATEX	PP W43 450	

Accessories	
Flanges/Ports Blank flanges	
Blank flange set for Okta 1000/M/ATEX Okta 2000/M/ATEX, DN PN16, (stainless steel)	PP 043 885 -T
Mounting Screw sets	
Screw Set for Okta 1000/M/ATEX, DN PN16, Zinc-Plated Steel	PP 043 882 -T
Mounting Sealing kits	
Seal Kit (FKM) for Okta 1000/M/ATEX Okta 2000/M/ATEX, DN PN16	PP 043 886 -T
Other	
Sealing gas kit (steel pipe) for Okta 1000/M, G 3/8 (4x)	PP 043 903 -T
Consumables	
P3, mineral oil, 0.5 l	PK 001 136 -T
P3, mineral oil, 1 l	PK 001 106 -T
P3, mineral oil, 20 l	PK 001 108 -T
P3, mineral oil, 5 l	PK 001 107 -T

VACUUM SOLUTIONS FROM A SINGLE SOURCE

Pfeiffer Vacuum stands for innovative and custom vacuum solutions worldwide, technological perfection, competent advice and reliable service.

COMPLETE RANGE OF PRODUCTS

From a single component to complex systems:

We are the only supplier of vacuum technology that provides a complete product portfolio.

COMPETENCE IN THEORY AND PRACTICE

Benefit from our know-how and our portfolio of training opportunities!

We support you with your plant layout and provide first-class on-site service worldwide.

Are you looking for a
perfect vacuum solution?
Please contact us:

Pfeiffer Vacuum GmbH
Headquarters · Germany
T +49 6441 802-0
info@pfeiffer-vacuum.de

www.pfeiffer-vacuum.com

All data subject to change without prior notice.

PFEIFFER  **VACUUM**