

Instructions for use

Adapter for Micro Fluidic Cards

English (EN)

This document complements the operating manual for the Centrifuge 5920 R and does not replace it. Therefore, please also read the operating manual of the centrifuge before using the adapter for the first time. The current version of the operating manual for all available languages can be found on our webpage www.eppendorf.com/manuals.

1 Safety

1.1 Warnings for intended use



CAUTION! Risk of injury due to asymmetric loading of a rotor.

- ▶ Always load all positions of a swing-bucket rotor with buckets.
- ▶ Load rotors symmetrically with identical tubes or plates.
- ▶ Only load adapters with suitable tubes or plates.
- ▶ Always use the same type of tubes and plates (weight, material/density and volume). Observe the max. *g*-force of the tubes and plates specified by the manufacturer.
- ▶ Check that loading is symmetrical by balancing the adapters and tubes or plates used with scales.



The swing-bucket rotor runs more smoothly if all buckets are loaded symmetrically and with the same weight.

- ▶ To reduce vibration and noise, load all buckets on the swing-bucket rotor with the same weight.

2 Product description

The adapter serves for centrifugation of TaqMan® Array Micro Fluidic Cards to ensure even distribution of the sample in the wells.

Centrifuge 5920 R	Adapter for Micro Fluidic Cards
Rotor S-4x1000 with round bucket	5825 759.001
Rotor S-4xUniversal-Large	5920 749.005

Each adapter can be loaded with 3 TaqMan Array Micro Fluidic Cards.

Instructions for use

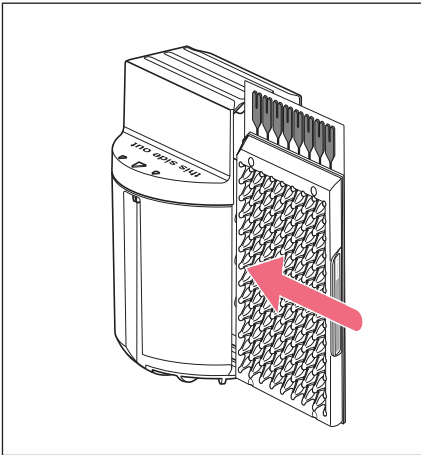
2 Adapter for Micro Fluidic Cards English (EN)

3 Application

3.1 Loading the adapter



Always load the adapter completely by inserting 3 plates. This is done to ensure that the plates are firmly seated and evenly filled during centrifugation.

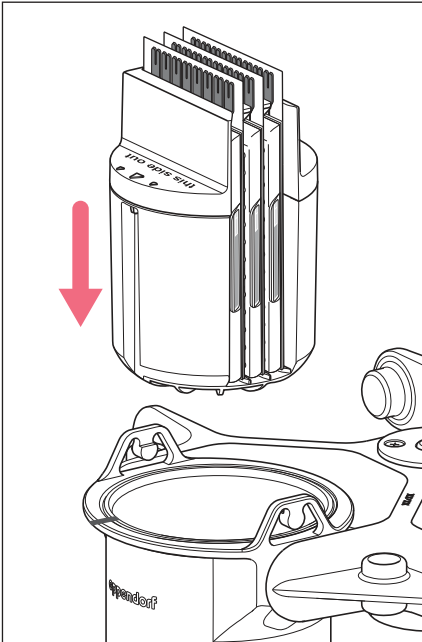


- ▶ Insert the 3 plates with the filler flap pointing upward (see figure). The plates must be seated completely inside the adapter.

3.2 Inserting the adapter

- **i** Make sure that the imprint **“this side out”** points upward when the bucket swings out.
- Load the rotor symmetrically.

Inserting the adapter in the round bucket of rotor S-4x1000



- ▶ Insert the loaded adapter in the round bucket and make sure that the arrow on the adapter is aligned with the marking on the bucket. Make sure that the imprint **“this side out”** on the adapter points outward.

Inserting the adapter in the bucket of rotor S-4xUniversal-Large

- ▶ Insert the loaded adapter in the Universal Bucket and make sure that the imprint **“this side out”** points outward.

3.3 Centrifuging a sample

1. Insert the bucket with the adapters in the rotor.
2. Centrifuge the sample.

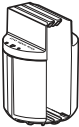
Instructions for use

Adapter for Micro Fluidic Cards


English (EN)

4 Technical data

Tab. 1: Centrifugation of TaqMan Array Micro Fluidic Cards in rotor S-4x1000, round bucket

	
Adapter 5825 759.001	Rotor S-4x1000, round bucket 1000 mL
Number per adapter/rotor	3/12
Max. load per bucket (adapter, Micro Fluidic Cards and content):	1340 g
Max. <i>g</i> -force	$3199 \times g$
Max. speed	3700 rpm
Radius	20.9 cm

Tab. 2: Centrifugation of TaqMan Array Micro Fluidic Cards in rotor S-4xUniversal-Large

		
Adapter 5920 749.005	Rotor S-4xUniversal-Large	
	230 V	120 V
Number per adapter/rotor	3/12	3/12
Max. load per bucket (adapter, Micro Fluidic Cards and content):	1150 g	1150 g
Max. <i>g</i> -force	$4038 \times g$	$3851 \times g$
Max. speed	4250 rpm	4150 rpm
Radius	20 cm	20 cm

5 Ordering information

Order no. (International)	Order no. (North America)	Description
5825 759.001	5825759001	Adapter for Micro Fluidic Cards Centrifuge 5920 R
5920 749.005	5920749005	Rotor S-4x1000, round bucket Rotor S-4xUniversal-Large

TaqMan® is a registered trademark of Roche Molecular Systems, Inc., USA.