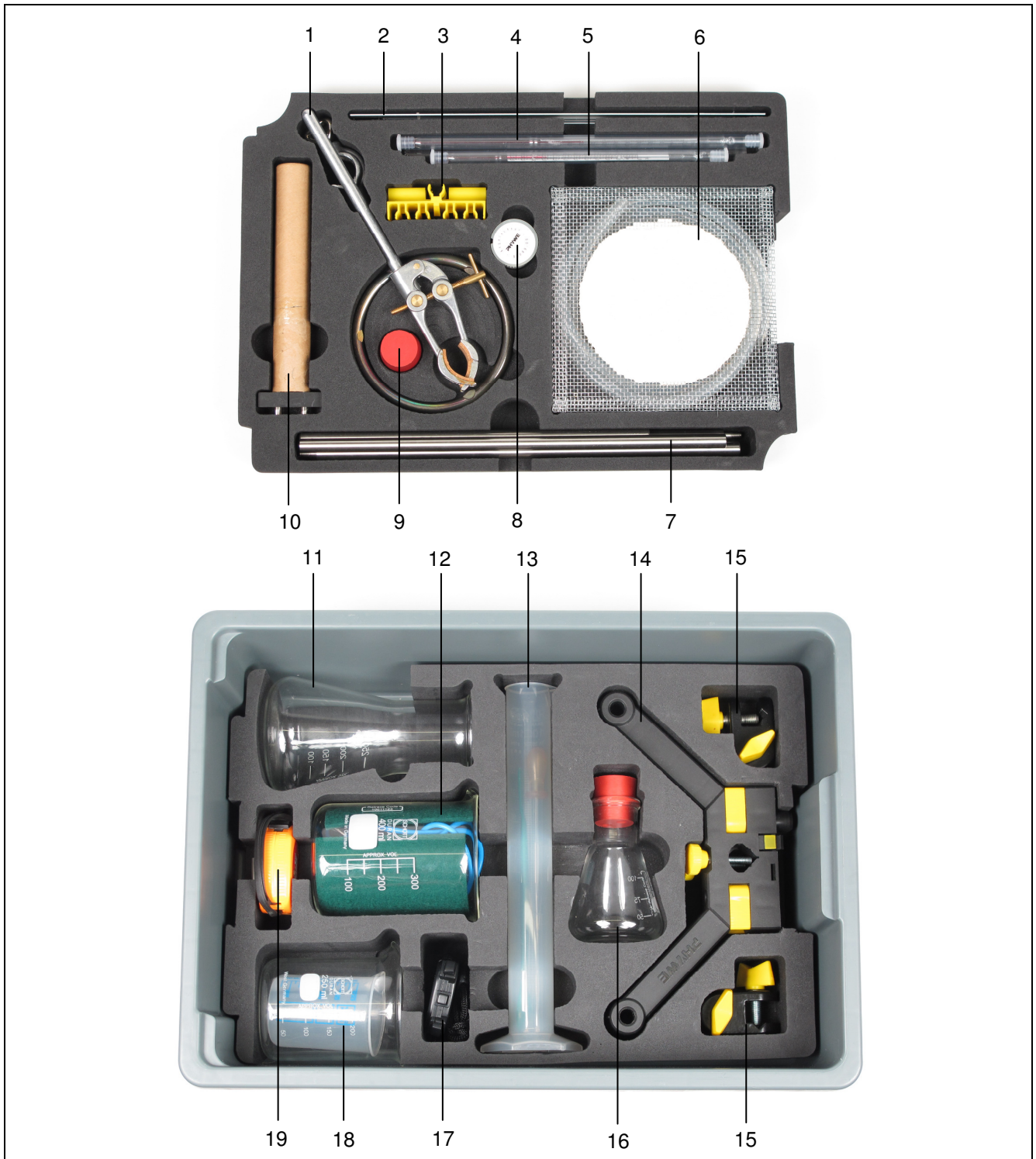


PHYWE Systeme GmbH & Co. KG  
Robert-Bosch-Breite 10  
D-37079 Göttingen

Telefon +49 (0) 551 604-0  
Fax +49 (0) 551 604-107  
E-mail info@phywe.de

**Einräum-Übersicht**  
**General map to fill**



Nr. No.	Menge Qty.	Deutsch	English	Art. Nr. Art. No.
		<b>TESS advanced Physik Basis Set Wärme 1, WE-1</b>	<b>TESS advanced Physics Basic set Heat 1, WE-1</b>	<b>15274-88</b>
1	1	Universalklemme	Universal clamp	37715-00
	1	Ring mit Muffe, $d = 10$ cm	Ring with boss head, $d = 10$ cm	37701-00
2	1	Thermometer, ungraduiert	Thermometer, non-graduated	04256-00
3	1	Glasrohrhalter mit Maßbandklemme	Glass tube holder with tape measure clamp	05961-00
4	1	Schülerthermometer, $-10...+110^{\circ}\text{C}$ , $l = 230$ mm	Students thermometer, $-10...+110^{\circ}\text{C}$ , $l = 230$ mm	38005-10
	2	Glasröhrchen, $d = 8$ mm, $l = 250$ mm	Glass tube, straight, $d = 8$ mm, $l = 250$ mm	36701-68
5	1	Schülerthermometer, $-10...+110^{\circ}\text{C}$ , $l = 180$ mm	Students thermometer, $-10...+110^{\circ}\text{C}$ , $l = 180$ mm	38005-02
6	1	Drahtnetz mit Keramik, 160 mm x 160 mm	Wire gauze 160 mm x 160 mm, ceramic cen.	33287-01
	2	Siliconschlauch, $d_i = 7$ mm	Silicone tubing $d_i = 7$ mm	39296-00
	1	Deckel für Schülerkalorimeter	Lid for student calorimeter	04404-01
7	1	Stativstange, $l = 250$ mm, $d = 10$ mm	Support rod, $l = 250$ mm, $d = 10$ mm	02031-00
	2	Stativstange, $l = 600$ mm, $d = 10$ mm, zweigeteilt	Support rod, $l = 600$ mm, split in 2 rods	02035-00
8	1	Angelschnur auf Röllchen, $d = 0,7$ mm, $l = 20$ m	Fishing line, $d = 0.7$ mm, $l = 20$ m	02089-00
9	1	Gummistopfen, 26/32, Bohrung 7 mm	Rubber stopper 26/32, 1 hole 7 mm	39258-01
10	1	Heizspule mit Buchsen	Heating coil with sockets	04450-00
11	1	Erlenmeyerkolben, Weithals, 250 ml	Erlenmeyer flask, wide-neck, 250 ml	36134-00
12	1	Becherglas, niedrige Form, 400 ml	Glass beaker, short, 400 ml	36014-00
	2	Filzplatte, 100 mm x 100 mm	Felt sheet, 100 mm x 100 mm	04404-20
	2	Verbindungsleitung, 32 A, 500 mm, blau	Connecting cord, 32 A, 500 mm, blue	07361-04
13	1	Messzylinder 100 ml, PP, transparent	Graduated cylinder, 100 ml, plastic	36629-01
	1	Glasröhrchen, $d = 8$ mm, $l = 80$ mm	Glass tube, straight, $d = 8$ mm, $l = 80$ mm	36701-65
	1	Rührstab	Agitator rod	04404-10
	1	Löffelspatel, Kunststoff, $l = 180$ mm	Spoon, with spatula end, $l = 180$ mm, plastic	38833-00
	1	Pipette mit Gummikappe	Pipette with rubber bulb	64701-00
14	1	Stativfuß, variabel	Support base variable	02001-00
15	2	Doppelmuffe	Boss head	02043-00
16	1	Erlenmeyerkolben, 100 ml, Weithals	Erlenmeyer flask, wide-neck, 100 ml	36428-00
	1	Gummistopfen, 26/32, 2 x Bohrung 7 mm	Rubber stopper 26/32, 2 holes 7 mm	39258-02
17	1	Digitale Stoppuhr, 24 h, 1/100 s & 1 s	Digital stop watch, 24 h, 1/100 s & 1 s	24025-00
18	1	Becherglas, niedrige Form, 250 ml	Glass beaker, short, 250 ml	36013-00
	1	Becher, niedrige Form, 100 ml, PP	Beaker, 100 ml, low form, plastic	36011-01
19	1	Maßband, $l = 2$ m	Measuring tape, $l = 2$ m	09936-00