

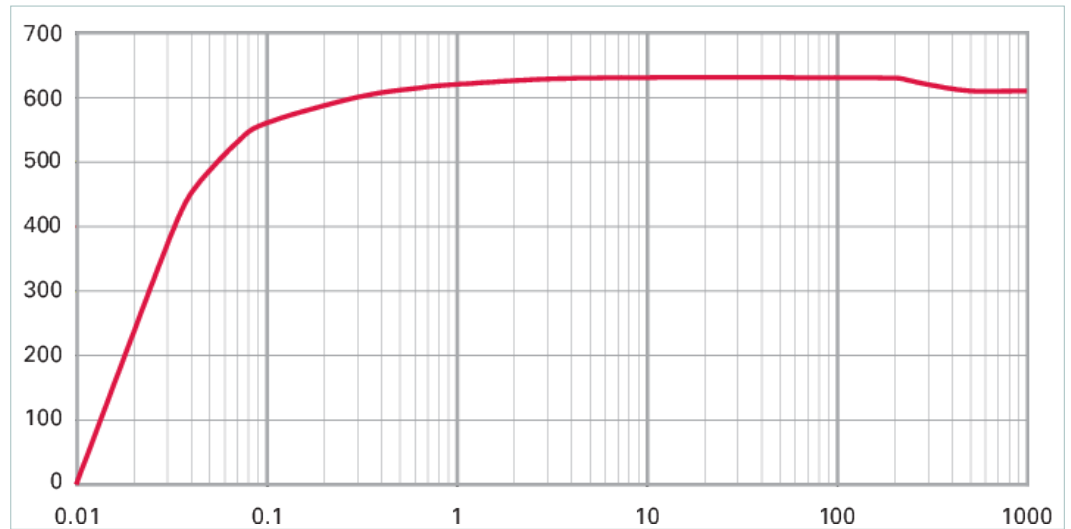
Hepta 630 P, 230/400 V, 60 Hz



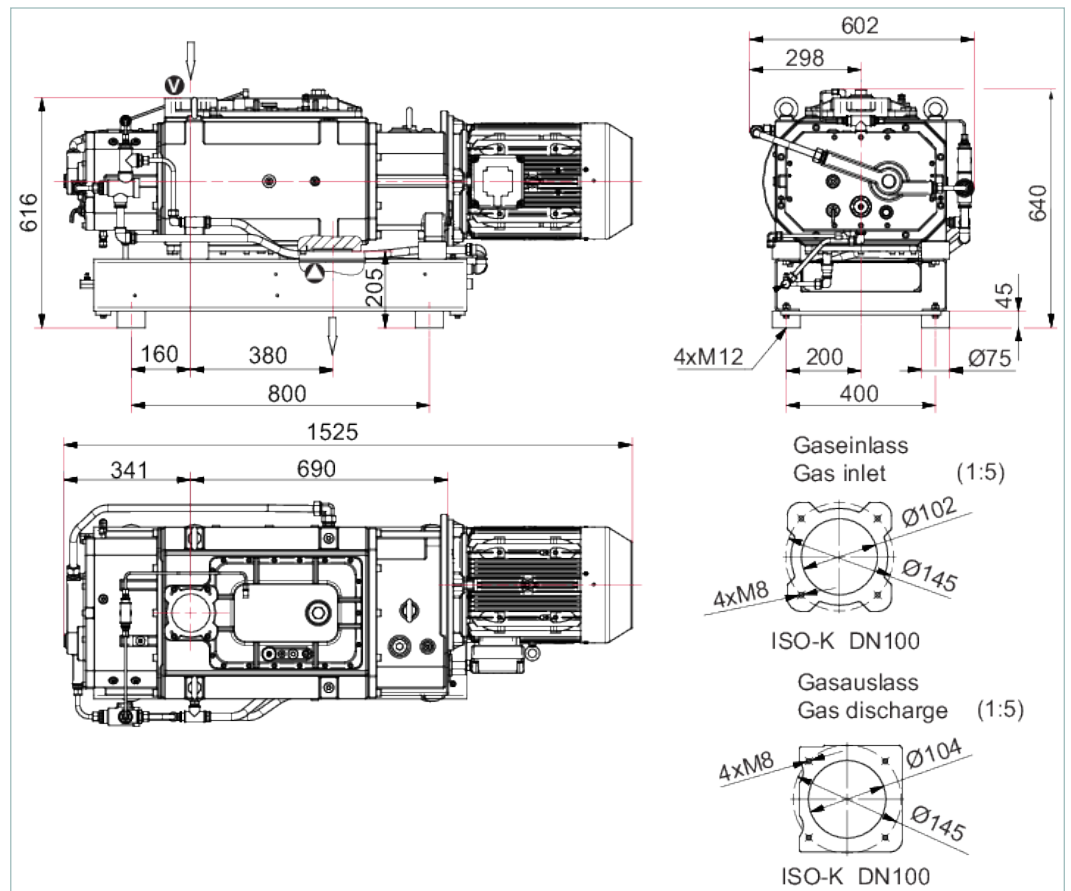
Similar Image

Hepta 630 P, 230/400 V, 60 Hz

- High-performance screw pump with a pumping speed of 630 m³/h
- For mains voltage: 220/380 V, 60 Hz
- Ideal solution for all areas in which oil-free vacuum is required
- For applications in the low and medium vacuum



Dimensions



| Technical Data | Hepta 630 P, 230/400 V, 60 Hz |
|----------------------------------|--|
| Ambient temperature | 5-50 °C 41-122 °F 278-323 K |
| Cooling water pressure | 1,000-6,000 hPa 750-4,500 Torr 1,000-6,000 mbar |
| Cooling water temperature | 10-30 °C 50-86 °F 283-303 K |
| Flange (in) | DN 100 ISO-K |
| Flange (out) | DN 100 ISO-K |
| Mains requirement: voltage 60 Hz | 220/380 V |
| Motor rating | 17 kW |
| Nominal pumping speed at 60 Hz | 630 m ³ /h |
| Nominal rotation speed at 60 Hz | 3,600 rpm 3,600 min ⁻¹ |
| Operating fluid | D1, synthetic diester based oil |
| Operating fluid filling | 2 l |
| Sound pressure level | 75 dB(A) |
| Ultimate pressure | < 1 · 10 ⁻² hPa < 7.5 · 10 ⁻³ Torr < 1 · 10 ⁻² mbar |
| Weight | 550 kg 1,212.53 lb |

| Order number | |
|--------------|------------|
| Hepta 630 P | PU V62 433 |

| Accessories | |
|---|---------------|
| Operating fluid | |
| D1, synthetic diester based oil, 1 l | PK 005 875 -T |
| D1, synthetic diester based oil, 5 l | PK 005 876 -T |
| Dust separator | |
| SAS 100 dust separator, DN 100 ISO-K, polyester filter | PK Z60 512 |
| Exhaust silencer | |
| Exhaust silencer DN 80, PN 16, DIN 2576 for Hepta 630 P | PU Z00 103 |
| Check valve | |
| Check valve Hepta 400 P/630 P | PU Z00 202 |
| PTC resistor tripping unit for PTC resistor sensor | |
| PTC-resistor tripping device | P 4768 052 FQ |

VACUUM SOLUTIONS FROM A SINGLE SOURCE

Pfeiffer Vacuum stands for innovative and custom vacuum solutions worldwide, technological perfection, competent advice and reliable service.

COMPLETE RANGE OF PRODUCTS

From a single component to complex systems:

We are the only supplier of vacuum technology that provides a complete product portfolio.

COMPETENCE IN THEORY AND PRACTICE

Benefit from our know-how and our portfolio of training opportunities!

We support you with your plant layout and provide first-class on-site service worldwide.

Are you looking for a
perfect vacuum solution?
Please contact us:

Pfeiffer Vacuum GmbH
Headquarters · Germany
T +49 6441 802-0
info@pfeiffer-vacuum.de

www.pfeiffer-vacuum.com

All data subject to change without prior notice.

PFEIFFER  **VACUUM**