



# Hepta 100 P, 190-208/380-415 V, 50 Hz

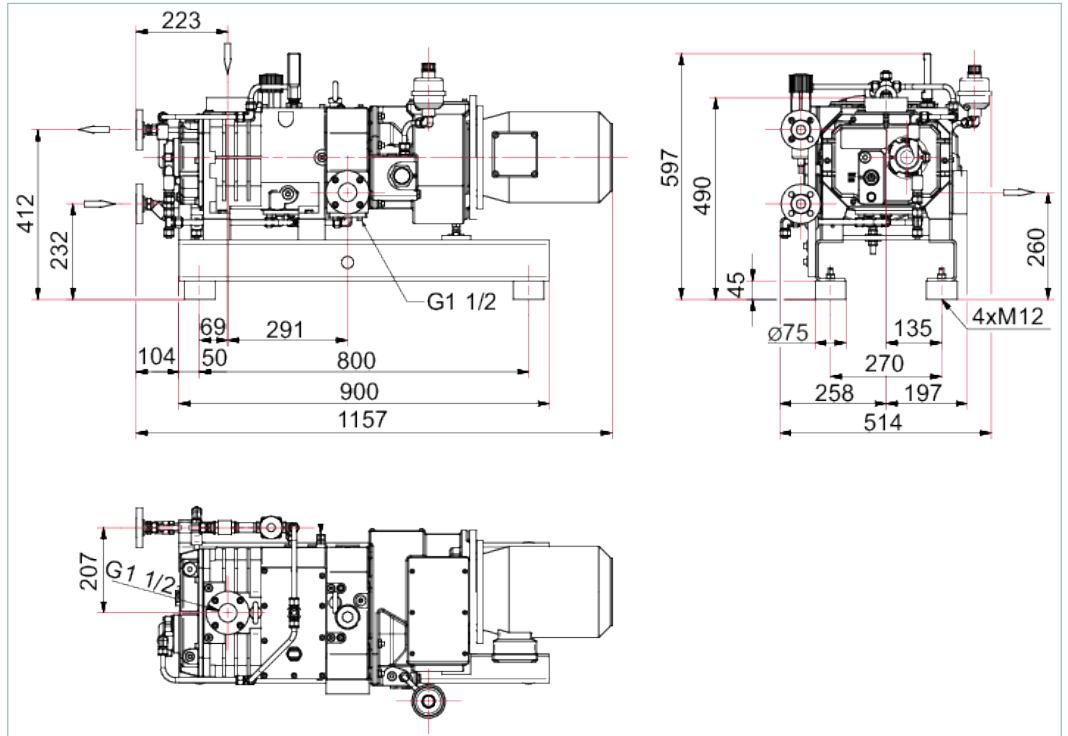


Similar Image

## Hepta 100 P, 190-208/380-415 V, 50 Hz

- High-performance screw pump with a pumping speed of 110 m<sup>3</sup>/h
- Ideal solution for all areas in which oil-free vacuum is required
- Internal compression is gentle to bearings and seals
- For applications in the low and medium vacuum

### Dimensions



Technical Data	Hepta 100 P, 190-208/380-415 V, 50 Hz
Ambient temperature	0-50 °C   32-122 °F   273-323 K
Cooling water consumption	120 – 360 l/h
Cooling water consumption, max	360 l/h
Cooling water consumption, min	120 l/h
Cooling water pressure	3,000-6,000 hPa   2,250-4,500 Torr   3,000-6,000 mbar
Cooling water temperature	10-25 °C   50-77 °F   283-298 K
Flange (in)	G 1½"
Flange (out)	G 1½"
Mains requirement: voltage 50 Hz	190 – 208/380 – 415 V
Motor rating 50 Hz	3.5 kW
Nominal pumping speed at 50 Hz	110 m <sup>3</sup> /h
Nominal rotation speed at 50 Hz	3,000 rpm   3,000 min <sup>-1</sup>
Operating fluid	D1, synthetic diester based oil
Operating fluid filling	1.55 l
Protection category	IP55
Sound pressure level	70 dB(A)
Ultimate pressure	< 5 · 10 <sup>-2</sup> hPa   < 3.75 · 10 <sup>-2</sup> Torr   < 5 · 10 <sup>-2</sup> mbar
Weight	264 kg   582.01 lb

Order number	
Hepta 100 P	PU V12 420

Accessories	
<b>Operating fluid</b>	
D1, synthetic diester based oil, 1 l	PK 005 875 -T
D1, synthetic diester based oil, 5 l	PK 005 876 -T
<b>Exhaust silencer</b>	
Exhaust silencer DN 40, PN 16, DIN 2576 for Hepta 100 P	PU Z00 100
<b>Check valve</b>	
Check valve Hepta 100 P	PU Z00 200
<b>PTC resistor tripping unit for PTC resistor sensor</b>	
PTC-resistor tripping device	P 4768 052 FQ
<b>Dust separator</b>	
SAS 40, dust separator, DN 40 ISO-KF, polyester filter	PK Z60 510
<b>Stainless Steel 304/1.4301</b>	
Flange with Pipe Thread, without Seal, Male, Stainless Steel 304/1.4301, DN 40 ISO-KF	120AEI040-1500

## **VACUUM SOLUTIONS FROM A SINGLE SOURCE**

Pfeiffer Vacuum stands for innovative and custom vacuum solutions worldwide, technological perfection, competent advice and reliable service.

## **COMPLETE RANGE OF PRODUCTS**

From a single component to complex systems:

We are the only supplier of vacuum technology that provides a complete product portfolio.

## **COMPETENCE IN THEORY AND PRACTICE**

Benefit from our know-how and our portfolio of training opportunities!

We support you with your plant layout and provide first-class on-site service worldwide.

Are you looking for a  
perfect vacuum solution?  
Please contact us:

**Pfeiffer Vacuum GmbH**  
Headquarters · Germany  
T +49 6441 802-0  
info@pfeiffer-vacuum.de

[www.pfeiffer-vacuum.com](http://www.pfeiffer-vacuum.com)

All data subject to change without prior notice.

**PFEIFFER**  **VACUUM**