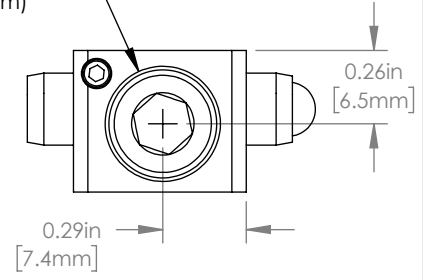
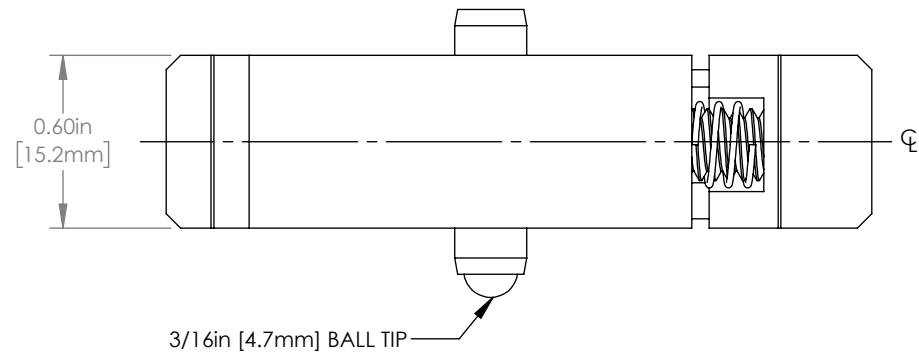


1/4in - 20 CLAMPING SCREW  
3/16in HEX  
MAX TORQUE 15in·lbs (1.69N·m)



DOVETAIL TO MATE TO  
XRN SERIES STAGES  
AND ACCESSORIES

1/4in - 80 FINE ADJUSTMENT SCREW  
5/64in [2.0mm] HEX  
PROVIDING 0.4in [10.2mm] OF TRAVEL



FOR INFORMATION ONLY  
NOT FOR MANUFACTURING PURPOSES

DRAWING PROJECTION					<b>THORLABS</b> www.thorlabs.com	
NAME	DATE	XRN RAIL NUDGER CARRIER				
DRAWN	AL	01/AUG/19	MATERIAL		REV	A
APPROVAL	AK	02/AUG/19	N/A		ITEM #	XRNN
COPYRIGHT © 2019 BY THORLABS			APPROX WEIGHT		0.03 kg	
VALUES IN PARENTHESIS ARE CALCULATED AND MAY CONTAIN ROUND OFF ERRORS						