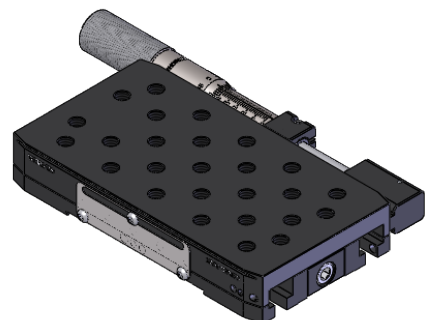
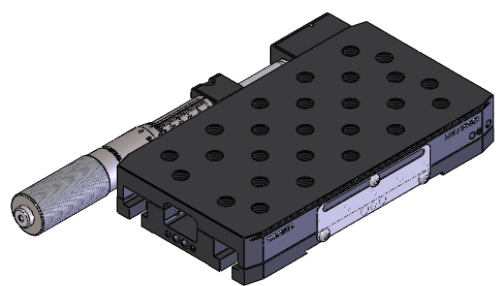
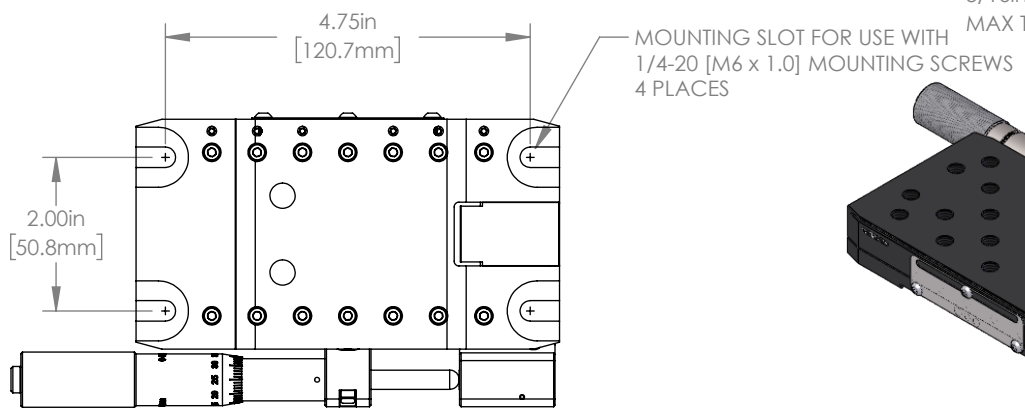
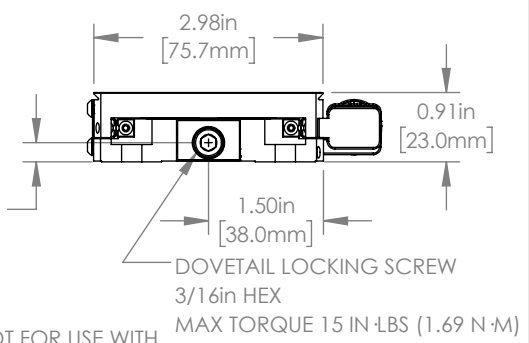
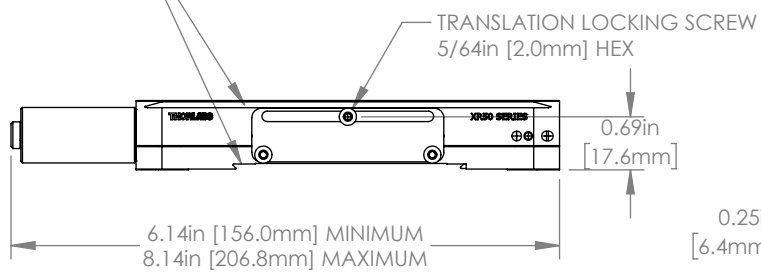
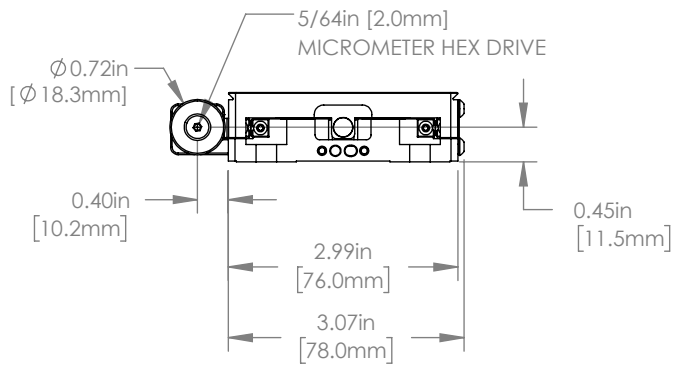


INTEGRATED DOVETAIL CHANNELS
ALLOW MULTIPLE XR50 / XR25 SERIES STAGES
TO BE STACKED IN AN X/Y CONFIGURATION



FOR INFORMATION ONLY
NOT FOR MANUFACTURING PURPOSES

DRAWING PROJECTION			THORLABS www.thorlabs.com	
NAME	DATE	50mm CROSSED ROLLER TRANSLATION STAGE		
DRAWN	CS	25/JUL/17	REV B	
APPROVAL	HP	25/JUL/17	MATERIAL N/A	
COPYRIGHT © 2017 BY THORLABS			ITEM #	APPROX WEIGHT
VALUES IN PARENTHESIS ARE CALCULATED AND MAY CONTAIN ROUND OFF ERRORS			XR50P	0.70 kg