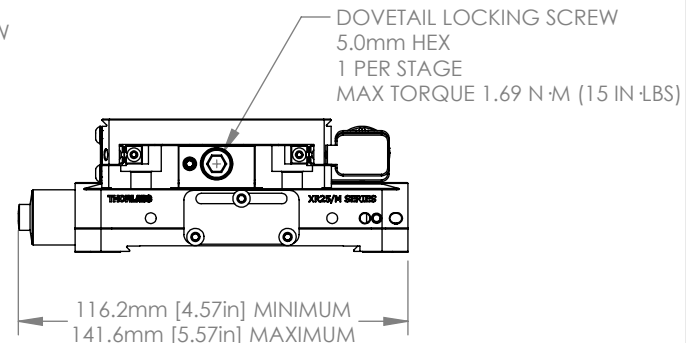
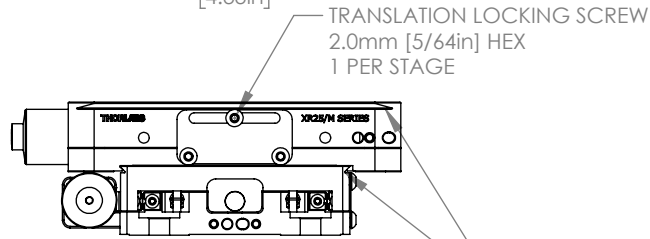
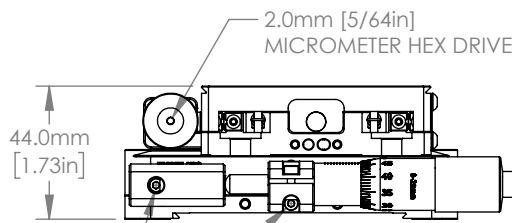
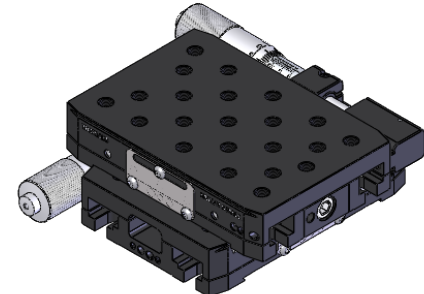
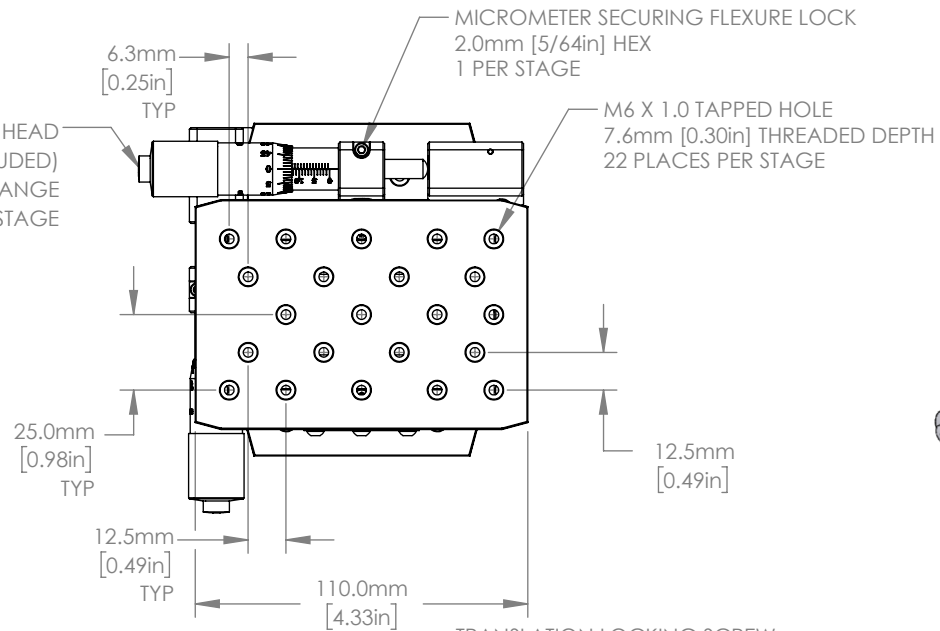
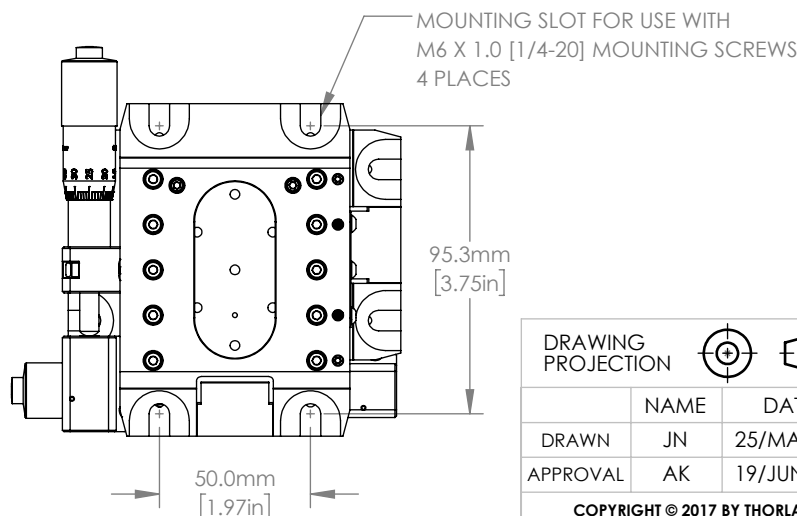


REMOVABLE MICROMETER HEAD  
150-801ME-H (INCLUDED)  
±12.5mm RANGE  
1 PER STAGE



INTEGRATED DOVETAIL CHANNELS  
ALLOW MULTIPLE XR25 STAGES AND ACCESSORIES  
TO BE SECURED

SIDE MICROMETER CLAMP SECURING SCREWS  
2.0mm [5/64in] HEX  
2 PER STAGE



FOR INFORMATION ONLY  
NOT FOR MANUFACTURING PURPOSES

DRAWING PROJECTION					<b>THORLABS</b> www.thorlabs.com METRIC 2-AXIS, SIDE ACTUATED, 25mm CROSSED ROLLER STAGE	
NAME	DATE	MATERIAL				
DRAWN	JN	25/MAY/17	N/A	C	ITEM #	
APPROVAL	AK	19/JUN/17			XR25P-K1/M	
COPYRIGHT © 2017 BY THORLABS					APPROX WEIGHT	
VALUES IN PARENTHESIS ARE CALCULATED AND MAY CONTAIN ROUND OFF ERRORS					1.02 kg	