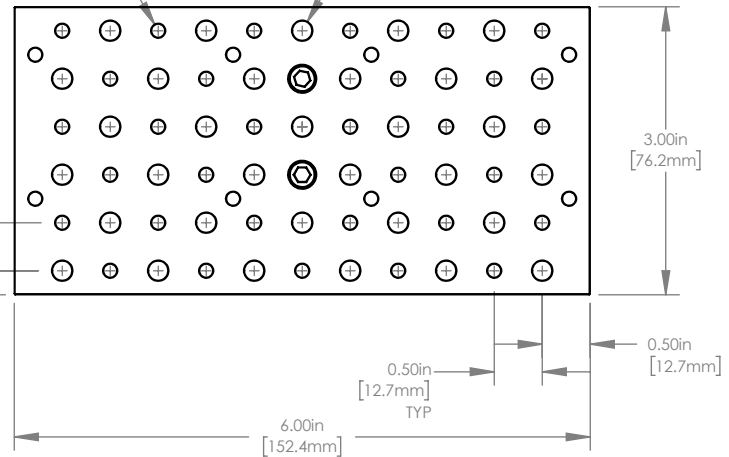
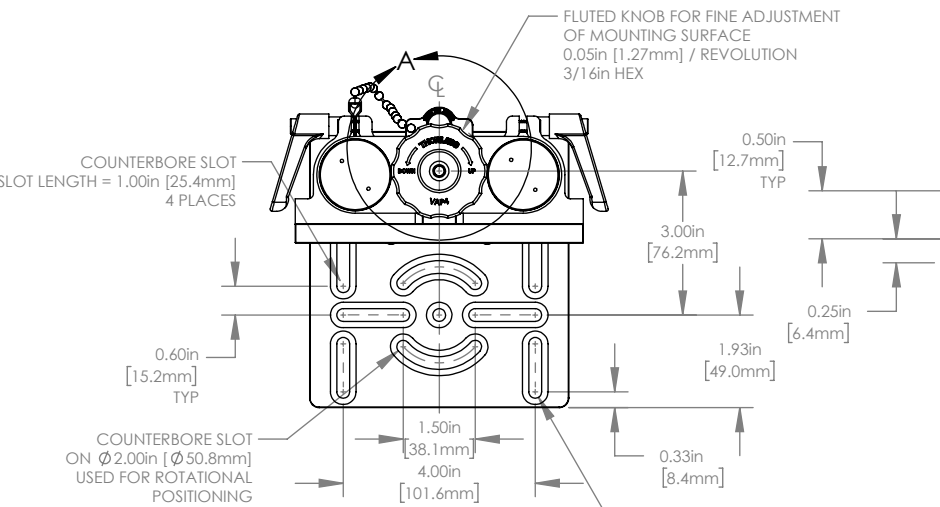


8-32 MOUNTING HOLE
0.40in [10.2mm] DEEP
31 PLACES

1/4-20 MOUNTING HOLE
0.4in [10.2mm] DEEP
33 PLACES



MOUNTING PLATE DIMENSIONS



FLUTED KNOB FOR FINE ADJUSTMENT
OF MOUNTING SURFACE
0.05in [1.27mm] / REVOLUTION
3/16in HEX

COUNTERBORE SLOT
SLOT LENGTH = 1.00in [25.4mm]
4 PLACES

0.50in
[12.7mm]
TYP

3.00in
[76.2mm]

0.25in
[6.4mm]

1.93in
[49.0mm]

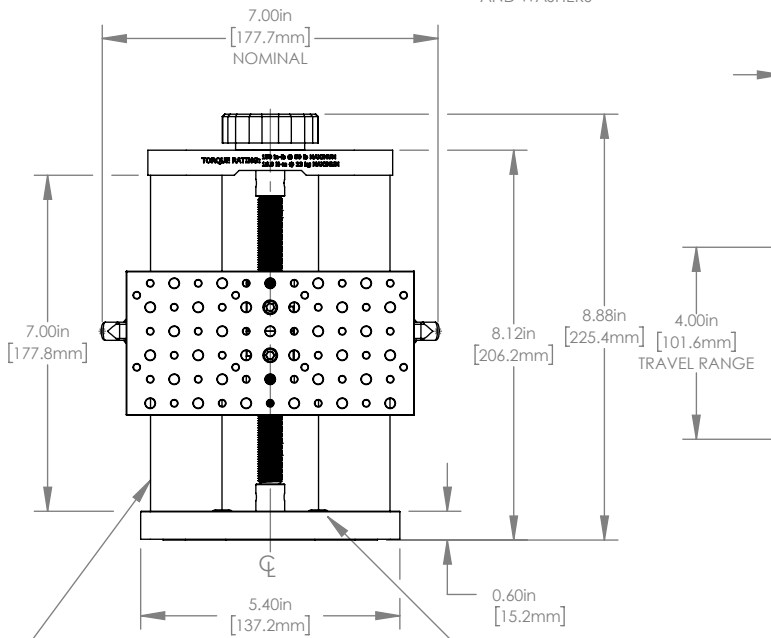
0.60in
[15.2mm]
TYP

1.50in
[38.1mm]

0.33in
[8.4mm]

COUNTERBORE SLOT
ON \varnothing 2.00in [\varnothing 50.8mm]
USED FOR ROTATIONAL
POSITIONING

ALL COUNTERBORES
ACCEPT 1/4in SOCKET HEAD SCREWS
AND WASHERS



7.00in
[177.7mm]
NOMINAL

3.44in
[87.4mm]

4.00in
[101.6mm]
TRAVEL RANGE

8.12in
[206.2mm]

8.88in
[225.4mm]

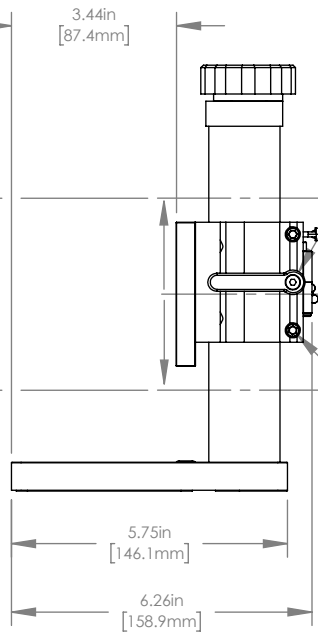
7.00in
[177.8mm]

5.40in
[137.2mm]

0.60in
[15.2mm]

UTILIZES (2) DP8A POSTS
TO MINIMIZE STRAY VIBRATIONS
FROM OUTSIDE SOURCES

RUBBER BUMPER, 2 PLACES
PROVIDES ADDITIONAL PROTECTION
DURING QUICK RELEASE

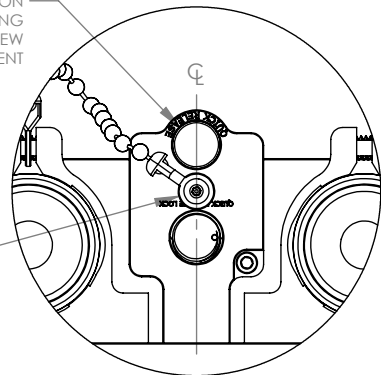


QUICK RELEASE BUTTON
DEPRESS TO DISCONNECT BUSHING
FROM LEAD SCREW
FOR COARSE ADJUSTMENT

C15QR - ADJUSTABLE 1/4-20 THREADED
REMOVABLE HANDLE (INCLUDED)
FOR SECURING ADJUSTMENT PLATFORM
2 PLACES

LOCKING PIN DISENGAGES QUICK
RELEASE BY LOCKING BUTTON FEATURE
REMOVE PIN TO ENABLE QUICK RELEASE

ASSEMBLY SCREWS
PROVIDE INITIAL TENSION
DO NOT ADJUST
4 PLACES



DETAIL A
QUICK RELEASE FEATURE

FOR INFORMATION ONLY
NOT FOR MANUFACTURING PURPOSES

DRAWING PROJECTION

	NAME	DATE
DRAWN	AV	10/SEP/15
APPROVAL	JC	11/SEP/15

COPYRIGHT © 2015 BY THORLABS
VALUES IN PARENTHESIS ARE CALCULATED
AND MAY CONTAIN ROUND OFF ERRORS

THORLABS www.thorlabs.com	
VERTICAL ADJUSTMENT PLATFORM 4in TRAVEL	
MATERIAL	N/A
ITEM #	VAP4
APPROX WEIGHT	3.9 kg
REV	D