

LOCKING PIN MAY BE STORED IN THE OPPOSITE EYE OF THE BALL CHAIN NEAREST THE CLAMP

COUNTERBORE SLOT  
SLOT LENGTH = 25.4mm [1.00in]  
4 PLACES

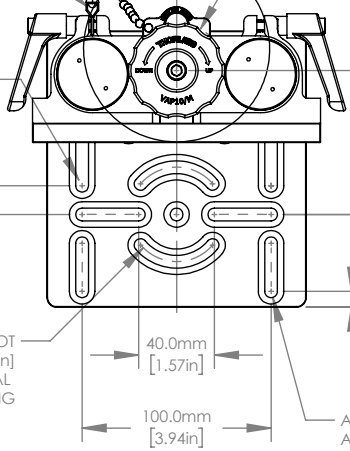
15.2mm  
[0.60in]  
TYP

COUNTERBORE SLOT  
ON Ø 50.0mm [Ø 1.97in]  
USED FOR ROTATIONAL  
POSITIONING

FLUTED KNOB FOR FINE ADJUSTMENT  
OF MOUNTING SURFACE  
1.27mm [0.05in] / REVOLUTION  
254.0mm [10.00in] TRAVEL RANGE  
5mm HEX

M4 x 0.7 MOUNTING HOLE  
10.2mm [0.40in] DEEP  
31 PLACES

M6 x 1.0 MOUNTING HOLE  
10.2mm [0.40in] DEEP  
33 PLACES



76.2mm  
[3.00in]

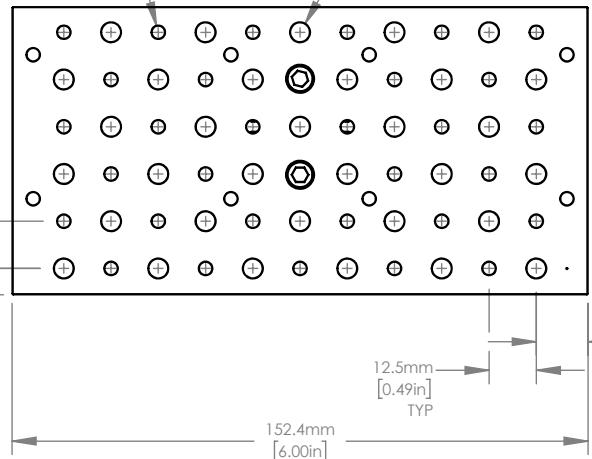
49.0mm  
[1.93in]

8.4mm  
[0.33in]

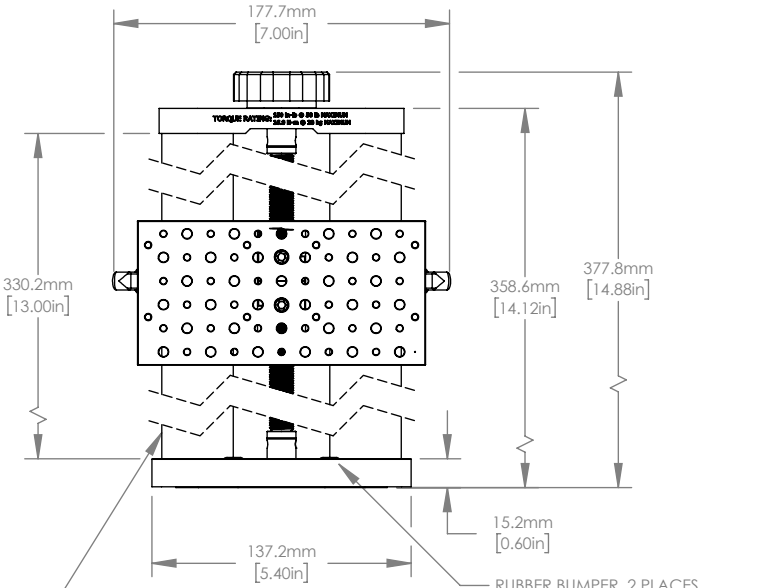
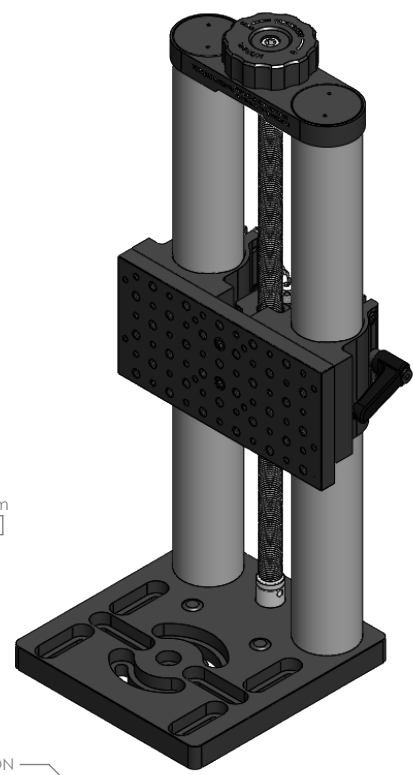
40.0mm  
[1.57in]

100.0mm  
[3.94in]

ALL COUNTERBORES  
ACCEPT M6 SOCKET HEAD SCREWS  
AND WASHERS

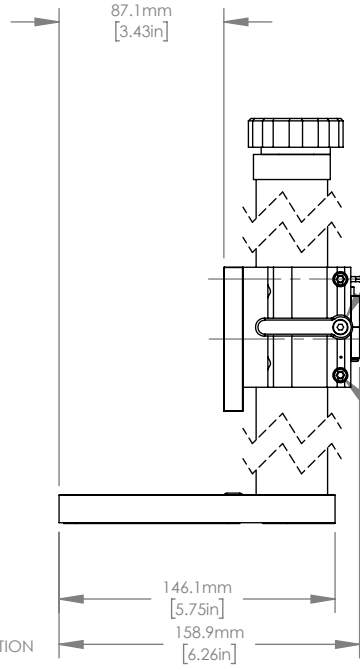


MOUNTING PLATE DIMENSIONS



UTILIZES (2) DP8A POSTS  
TO MINIMIZE STRAY VIBRATIONS  
FROM OUTSIDE SOURCES

RUBBER BUMPER, 2 PLACES  
PROVIDES ADDITIONAL PROTECTION  
DURING QUICK RELEASE

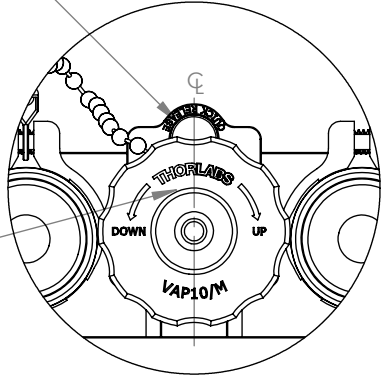


QUICK RELEASE BUTTON  
DEPRESS TO DISCONNECT  
FROM LEAD SCREW  
FOR COARSE ADJUSTMENT

C15QR/M - ADJUSTABLE M6 x 1.0 THREADED  
REMOVABLE HANDLE (INCLUDED)  
FOR SECURING ADJUSTMENT PLATFORM  
2 PLACES

LOCKING PIN DISENGAGES QUICK  
RELEASE BY LOCKING BUTTON FEATURE  
REMOVE TO ENABLE QUICK RELEASE

ASSEMBLY SCREWS  
PROVIDE INITIAL TENSION  
DO NOT ADJUST  
4 PLACES



DETAIL A  
QUICK RELEASE FEATURE

FOR INFORMATION ONLY  
NOT FOR MANUFACTURING PURPOSES

DRAWING PROJECTION

	NAME	DATE
DRAWN	AV	10/SEP/15
APPROVAL	JC	11/SEP/15

COPYRIGHT © 2015 BY THORLABS  
VALUES IN PARENTHESIS ARE CALCULATED  
AND MAY CONTAIN ROUND OFF ERRORS

**THORLABS**  
www.thorlabs.com

METRIC VERTICAL ADJUSTMENT PLATFORM  
10in TRAVEL

MATERIAL N/A REV B

ITEM # VAP10/M APPROX WEIGHT 5.0 kg