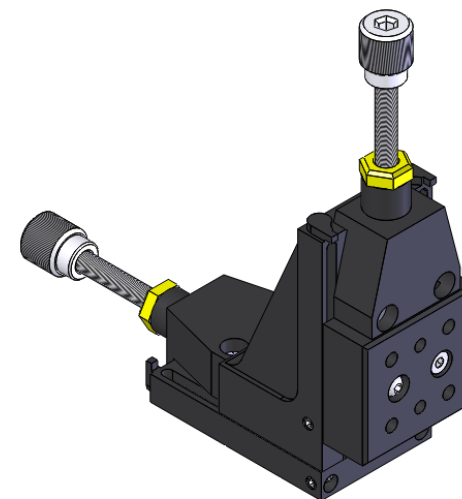
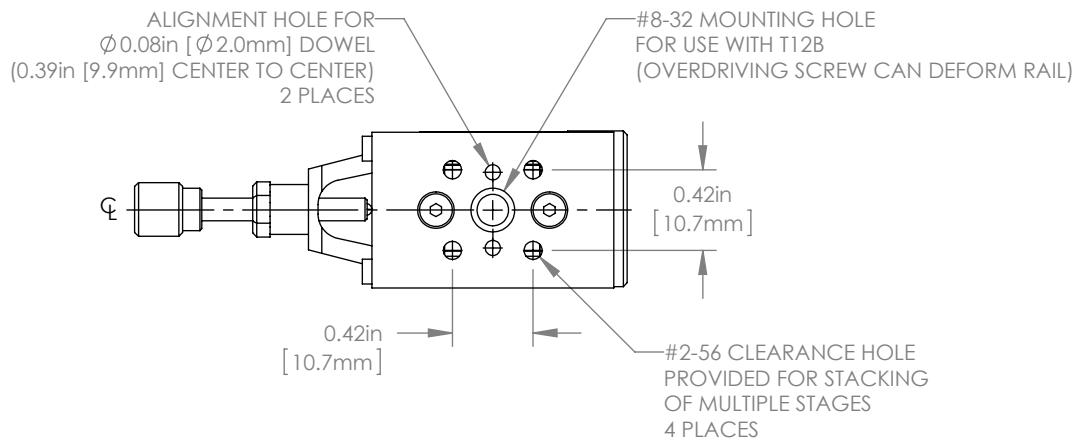
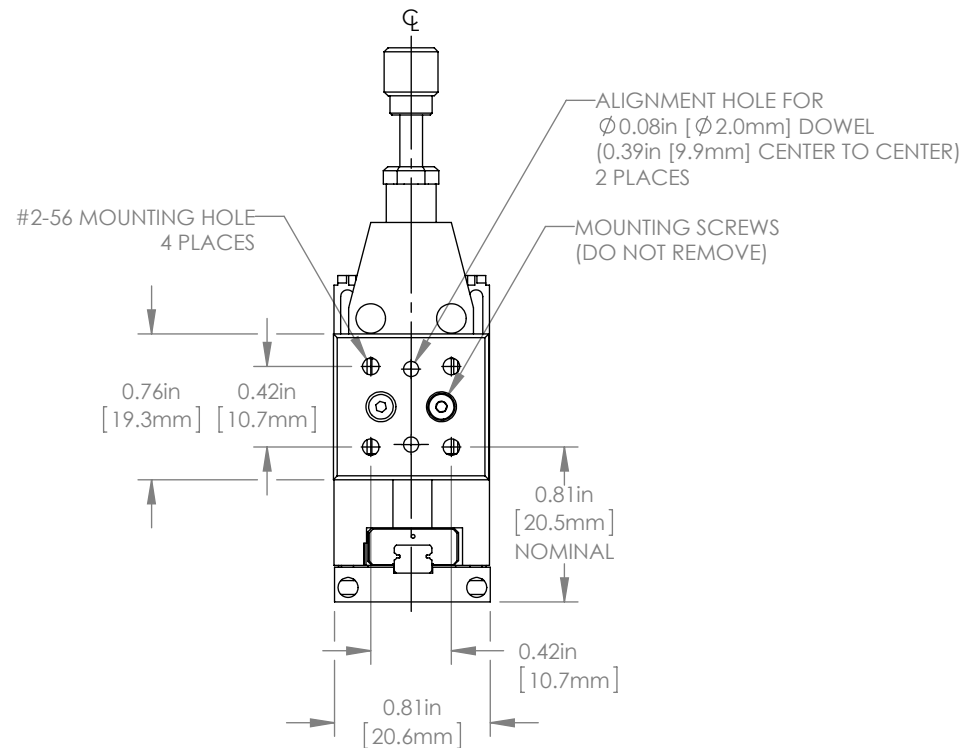
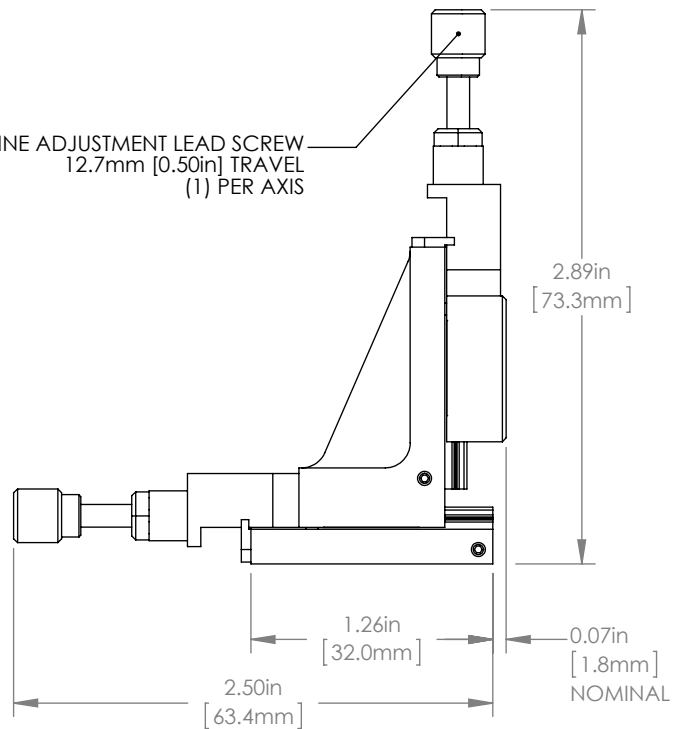


M3 x 0.25 FINE ADJUSTMENT LEAD SCREW
12.7mm [0.50in] TRAVEL
(1) PER AXIS



FOR INFORMATION ONLY
NOT FOR MANUFACTURING PURPOSES

DRAWING PROJECTION			THORLABS www.thorlabs.com	
NAME	DATE	MINI XZ TRANSLATION STAGE		
DRAWN KN	16 AUG 12	MATERIAL	N/A	REV E
APPROVAL PG	20 AUG 12	ITEM #	T12XZ	APPROX WEIGHT 0.10 kg
COPYRIGHT © 2012 BY THORLABS				
VALUES IN PARENTHESIS ARE CALCULATED AND MAY CONTAIN ROUND OFF ERRORS				