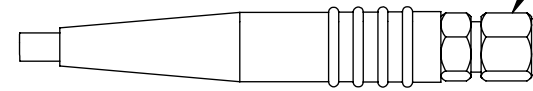


MOUNTING HOLES
2-56 UNC ∇ 0.14in [3.5mm]
INDICATED 'A' (4 PLACES)

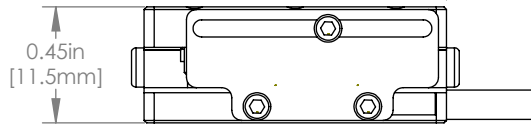
SMC FEMALE CONNECTOR



MOUNTING HOLES
8-32 UNC ∇ 0.13in [3.2mm]
INDICATED 'B' (6 PLACES)

MOUNTING HOLES FOR DOWEL PIN
 \varnothing 0.08in [2.0mm] ∇ 0.06in [1.5mm]
INDICATED 'C' (6 PLACES)

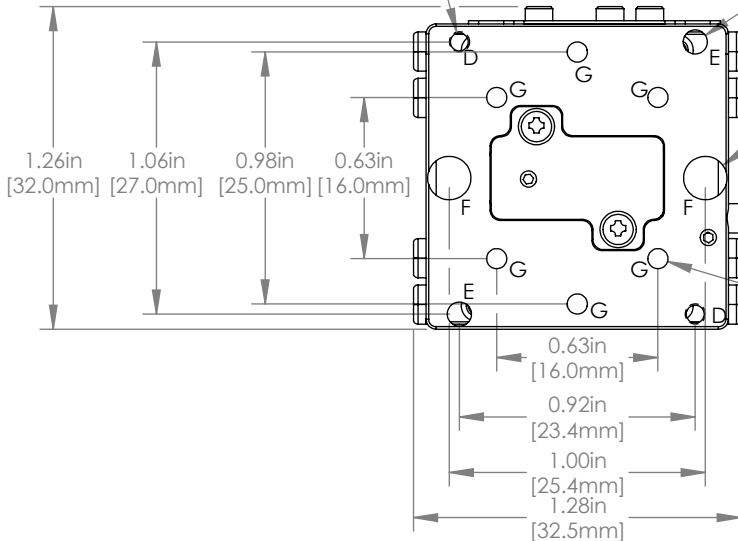
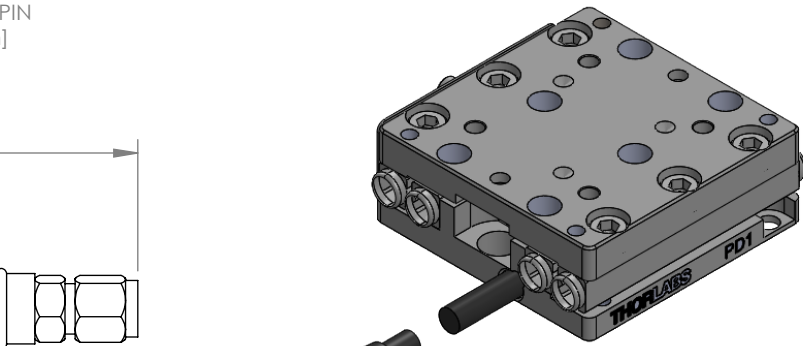
39.37in [1000.0mm]
CABLE LENGTH



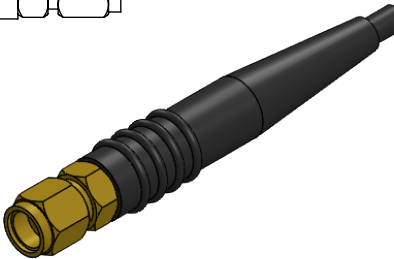
MOUNTING HOLES
2-56 UNC ∇ 0.12in [3.0mm]
INDICATED 'D' (2 PLACES)

COUNTERBORED HOLE
FOR USE WITH 2-56 CAP SCREWS
INDICATED 'E' (2 PLACES)

COUNTERBORED HOLE
FOR USE WITH 8-32 CAP SCREWS
INDICATED 'F' (2 PLACES)



MOUNTING HOLES FOR DOWEL PIN
 \varnothing 0.08in [2mm] ∇ 0.06in [1.5mm]
INDICATED 'G' (6 PLACES)



DRAWING PROJECTION

	NAME	DATE
DRAWN	RG	28/APRIL/21
APPROVAL	SS	28/APRIL/21

COPYRIGHT © 2019 BY THORLABS

VALUES IN PARENTHESIS ARE CALCULATED AND MAY CONTAIN ROUND OFF ERRORS

THORLABS
www.thorlabs.com

20mm PIEZO INERTIA DRIVE STAGE
IMPERIAL

MATERIAL	REV
N/A	C

ITEM #	APPROX WEIGHT
PD1	76 g

FOR INFORMATION ONLY
NOT FOR MANUFACTURING PURPOSES