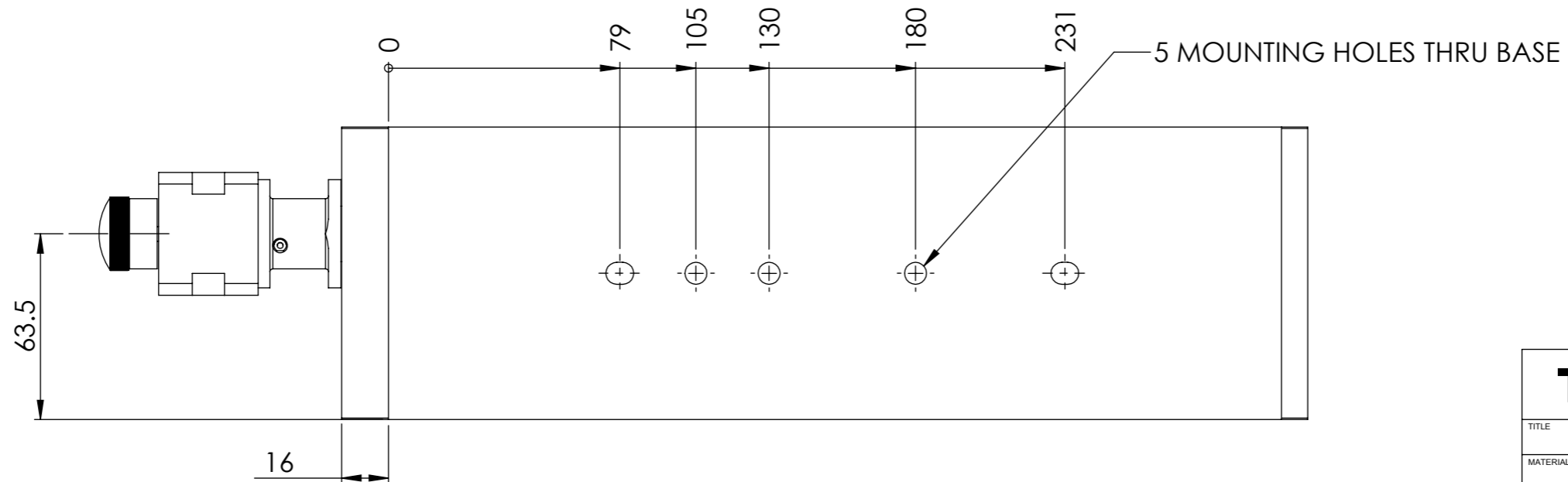
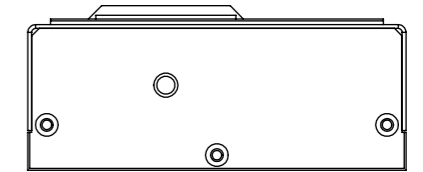
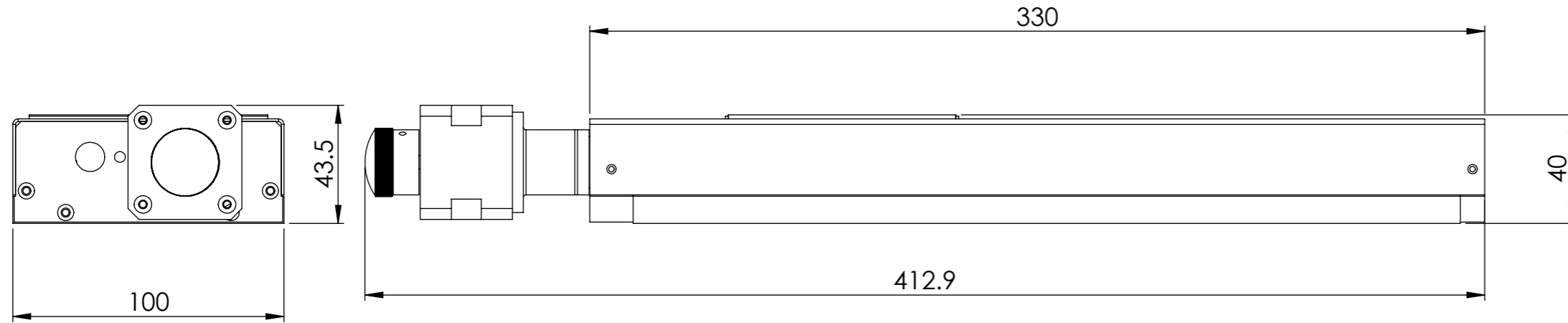
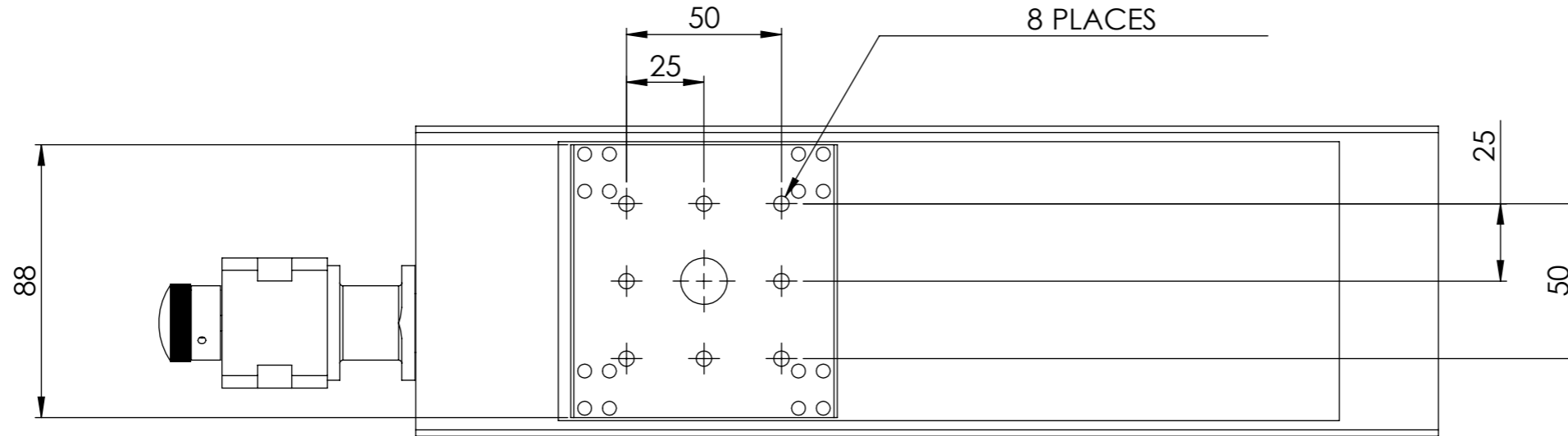
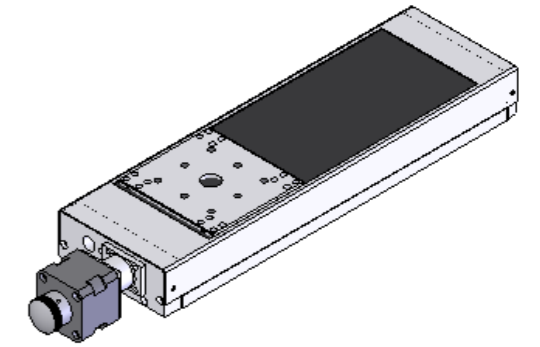


NOTES:

DO NOT SCALE

M6x1.0 - 6H TAPPED HOLES
8 PLACES



2	MOVING WORLD HEIGHT MODIFIED TO 40mm	12/10/09
1	INITIAL RELEASE	05/06/06
ISSUE	C/N NUMBER	DATE
TOLERANCES X=±1 X.X=±0.25 X.XX=±0.1 ANGULAR=±0°30'		ALL DIMENSIONS IN MILLIMETRES
THIRD ANGLE PROJECTION DRAWN TO BS.308		

THORLABS		COPYRIGHT © THORLABS ALL RIGHTS RESERVED NO UNAUTHORISED DUPLICATION OR MANUFACTURE PERMITTED	
TITLE NRT150 STAGE (METRIC)			
MATERIAL ANODIZED ALUMINIUM			
TREATMENT			
FINISH			
DATE	DWG	ISSUE	
10/12/2009	14101-EOW	2	
DRAWN	APPD.	SCALE	SHEET
KBS		1:2 A3	1 OF 1