

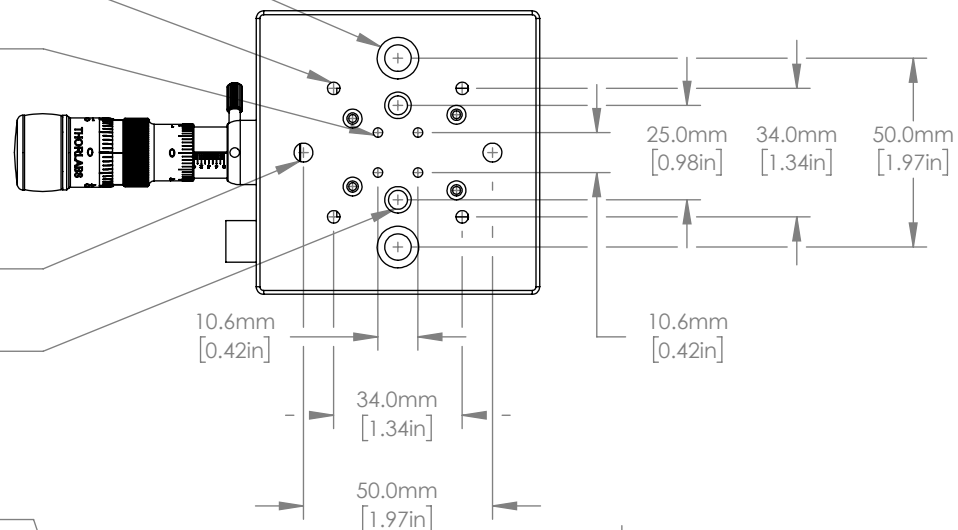
COUNTERBORE FOR M6x1.0
SCREW - 2 PLACES

M4x0.7 THRU
- 4 PLACES

M3x0.5 THRU
- 4 PLACES

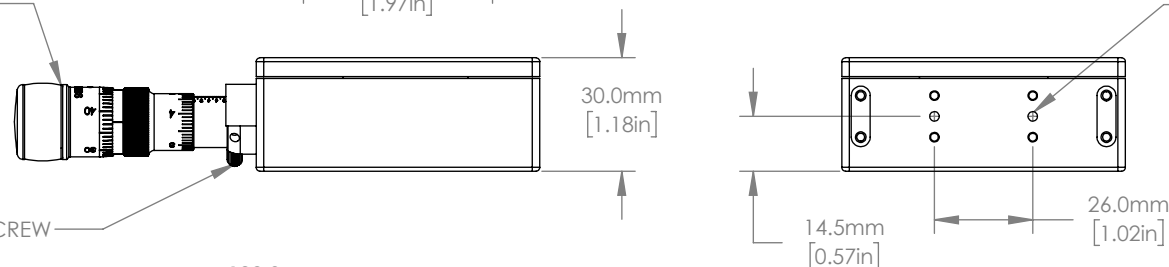
M6x1.0 THRU
- 2 PLACES

M6x1.0 THRU
- 2 PLACES

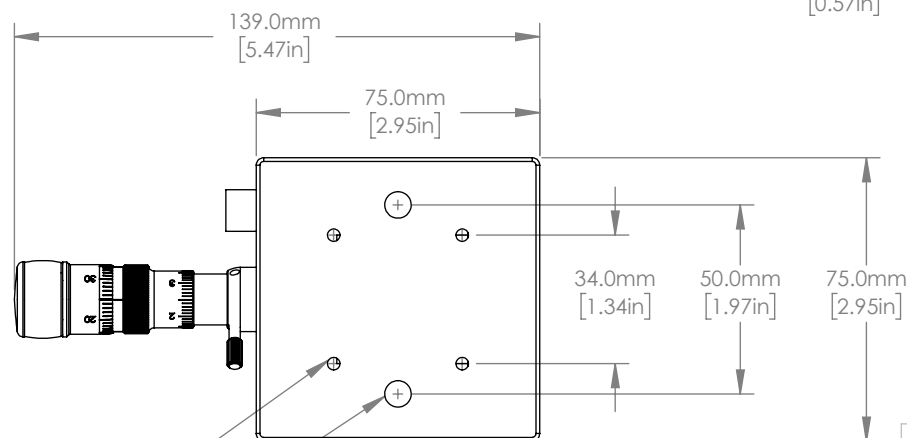


DRV3 DIFFERENTIAL ADJUSTER

LOCK SCREW



M3x0.5 THRU
- 2 PLACES



M4x0.7 THRU
- 4 PLACES

CLEARANCE FOR M6x1.0
- 2 PLACES

FOR INFORMATION ONLY
NOT FOR MANUFACTURING PURPOSES

DRAWING PROJECTION

	NAME	DATE
DRAWN	DC	22/MAR/11
APPROVAL	AKM	24/MAR/11

COPYRIGHT © 2011 BY THORLABS

VALUES IN PARENTHESIS ARE CALCULATED
AND MAY CONTAIN ROUND OFF ERRORS

THORLABS
www.thorlabs.com

NanoFlex 5mm - Metric

MATERIAL	REV
N/A	C

ITEM #	APPROX WEIGHT
NFL5D-M	0.38kg