

COUNTERBORE FOR 1/4-20 UNC SCREW - 2 PLACES

#8-32 UNC THRU - 4 PLACES

#6-32 UNC THRU - 4 PLACES

1/4-20 UNC THRU - 2 PLACES

LEMO FEEDBACK CONNECTOR

1/4-20 UNC THRU - 2 PLACES

LOCK SCREW

DRV3 DIFFERENTIAL ADJUSTER

SMC PIEZO INPUT 0-75V

#8-32 UNC THRU - 4 PLACES

CLEARANCE FOR 1/4-20 UNC - 2 PLACES

0.42in [10.6mm]

1.00in [25.4mm]

1.50in [38.1mm]

2.00in [50.8mm]

0.42in [10.6mm]

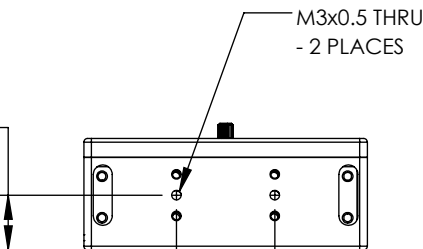
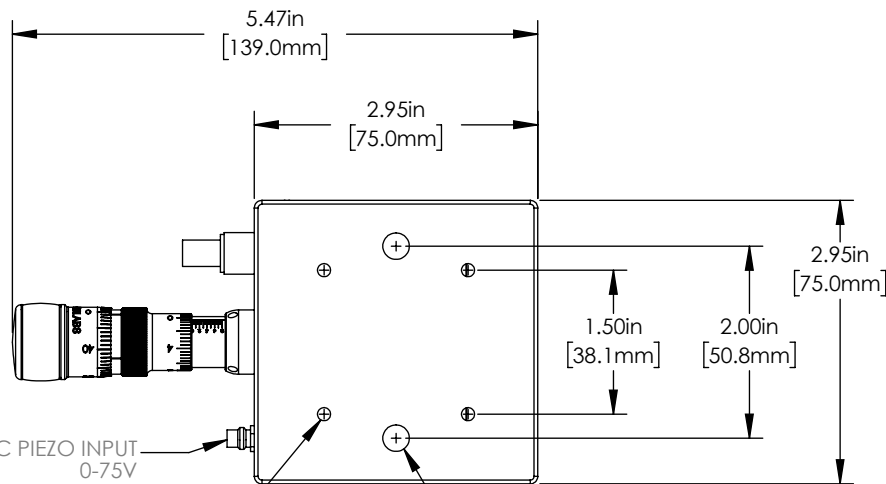
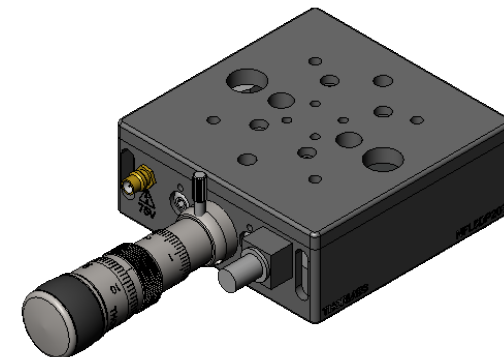
1.50in [38.1mm]

2.00in [50.8mm]

1.16in [29.5mm]

0.57in [14.5mm]

1.02in [26.0mm]



FOR INFORMATION ONLY
NOT FOR MANUFACTURING PURPOSES

DRAWING PROJECTION

	NAME	DATE
DRAWN	DC	22/MAR/11
APPROVAL	AKM	24/MAR/11

COPYRIGHT © 2011 BY THORLABS
VALUES IN PARENTHESIS ARE CALCULATED AND MAY CONTAIN ROUND OFF ERRORS

THORLABS
www.thorlabs.com

NanoFlex 5mm - 20um Piezo - Feedback		REV B
MATERIAL		N/A
ITEM #	NFL5DP20S	APPROX WEIGHT
		0.38 kg