

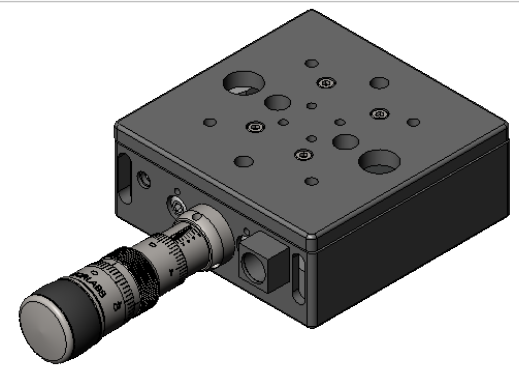
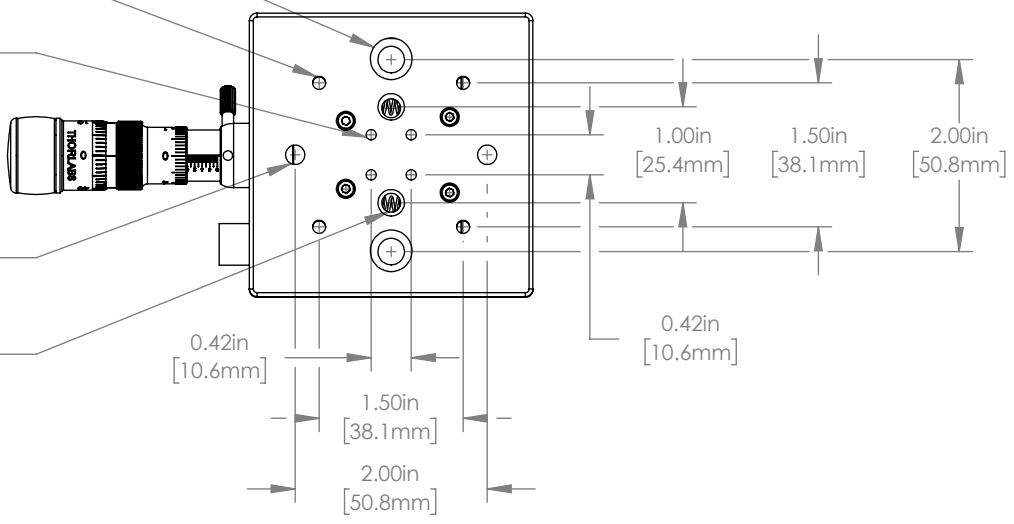
COUNTERBORE FOR 1/4-20 UNC SCREW - 2 PLACES

#8-32 UNC THRU - 4 PLACES

#6-32 UNC THRU - 4 PLACES

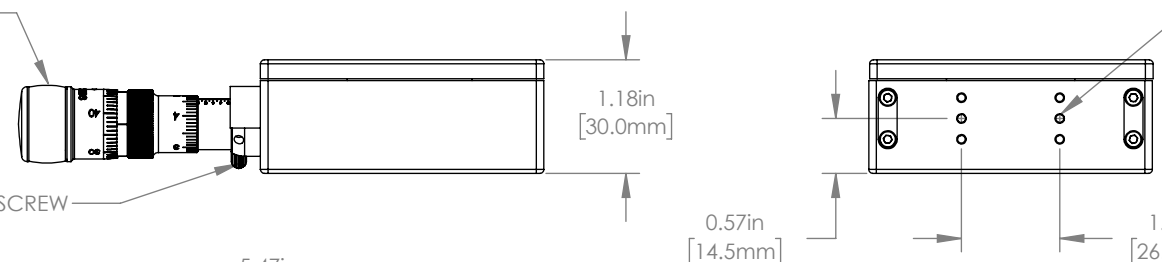
1/4-20 UNC THRU - 2 PLACES

1/4-20 UNC THRU - 2 PLACES

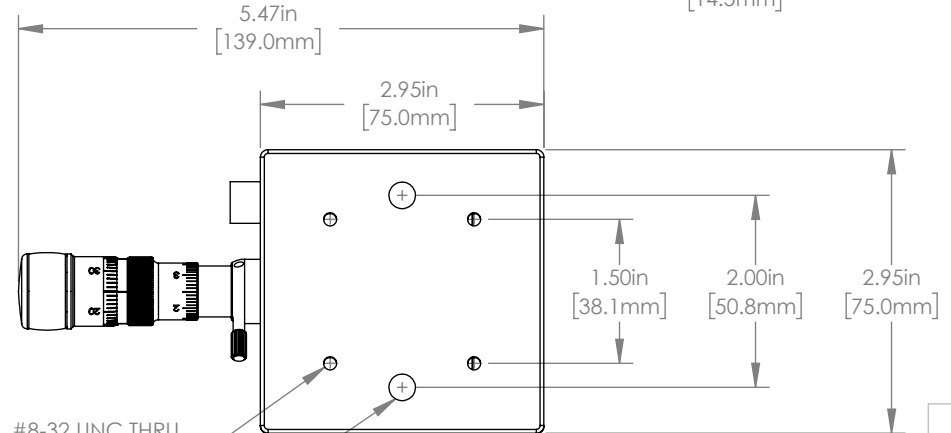


DRV3 DIFFERENTIAL ADJUSTER

LOCK SCREW



M3x0.5 THRU - 2 PLACES



#8-32 UNC THRU - 4 PLACES

CLEARANCE FOR 1/4-20 UNC - 2 PLACES

FOR INFORMATION ONLY  
NOT FOR MANUFACTURING PURPOSES

DRAWING PROJECTION			
NAME	DC	DATE	14/MAR/11
APPROVAL	AKM	DATE	24/MAR/11
COPYRIGHT © 2011 BY THORLABS			
VALUES IN PARENTHESIS ARE CALCULATED AND MAY CONTAIN ROUND OFF ERRORS			

<b>THORLABS</b> www.thorlabs.com	
NanoFlex 5mm	
MATERIAL	N/A
ITEM #	NFL5D
APPROX WEIGHT	0.38kg
REV	C