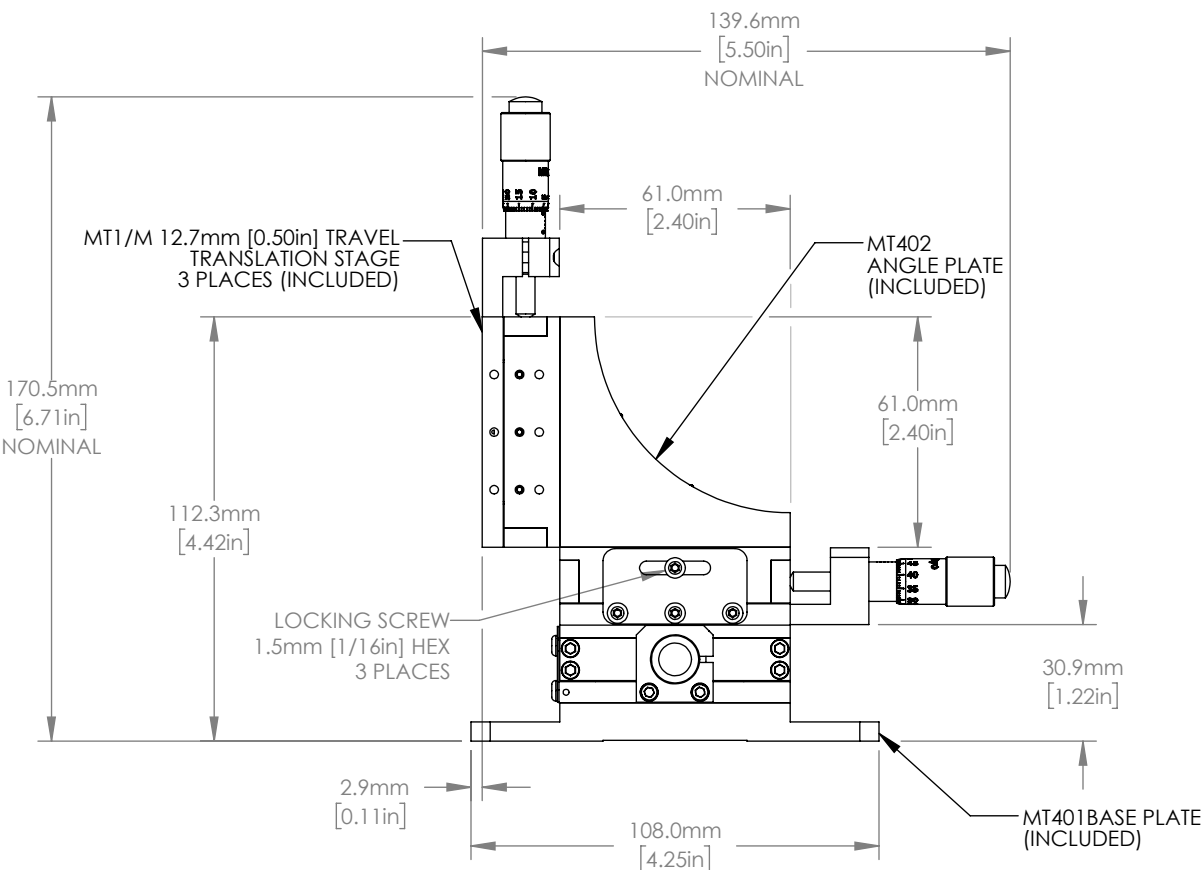
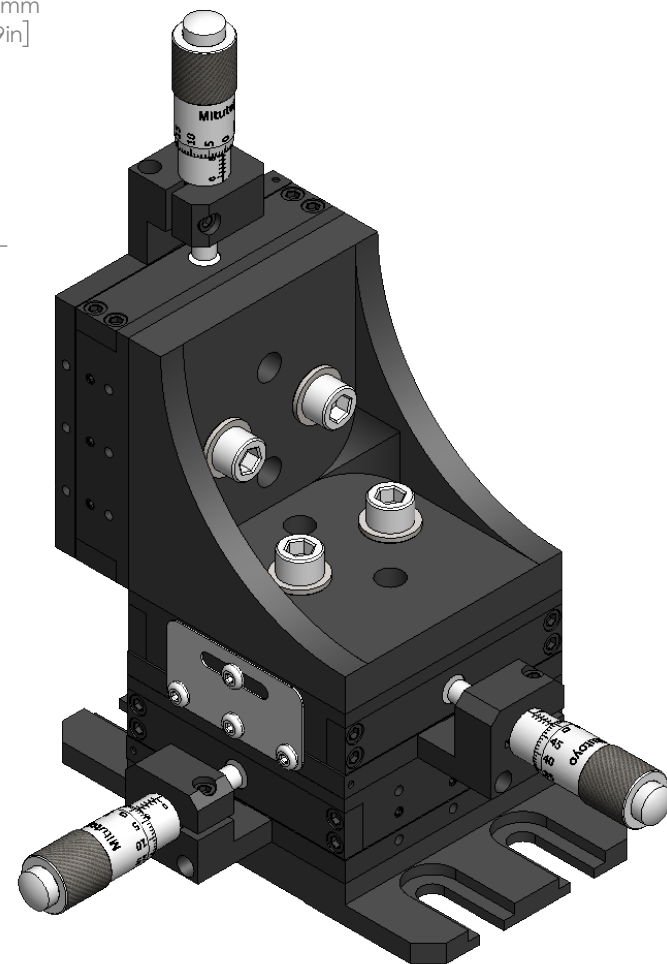


NOTES:

(4) Ø 1/8in X 1/4in DOWEL PINS INCLUDED WITH PURCHASE

REFER TO MT1/M ENGINEERING SUPPORT DRAWING FOR MT1/M MOUNTING HOLE SPECIFICATIONS



FOR INFORMATION ONLY  
 NOT FOR MANUFACTURING PURPOSES

DRAWING PROJECTION				<b>THORLABS</b> www.thorlabs.com <b>METRIC XYZ          TRANSLATION STAGE</b>		MATERIAL	N/A	REV D
REDRAWN	TLB	DATE	29/MAR/12					
APPROVAL	SB	DATE	05/NOV/02	ITEM #		APPROX WEIGHT		
COPYRIGHT © 2012 BY THORLABS				MT3/M		1.13 kg		
VALUES IN PARENTHESIS ARE CALCULATED AND MAY CONTAIN ROUND OFF ERRORS								