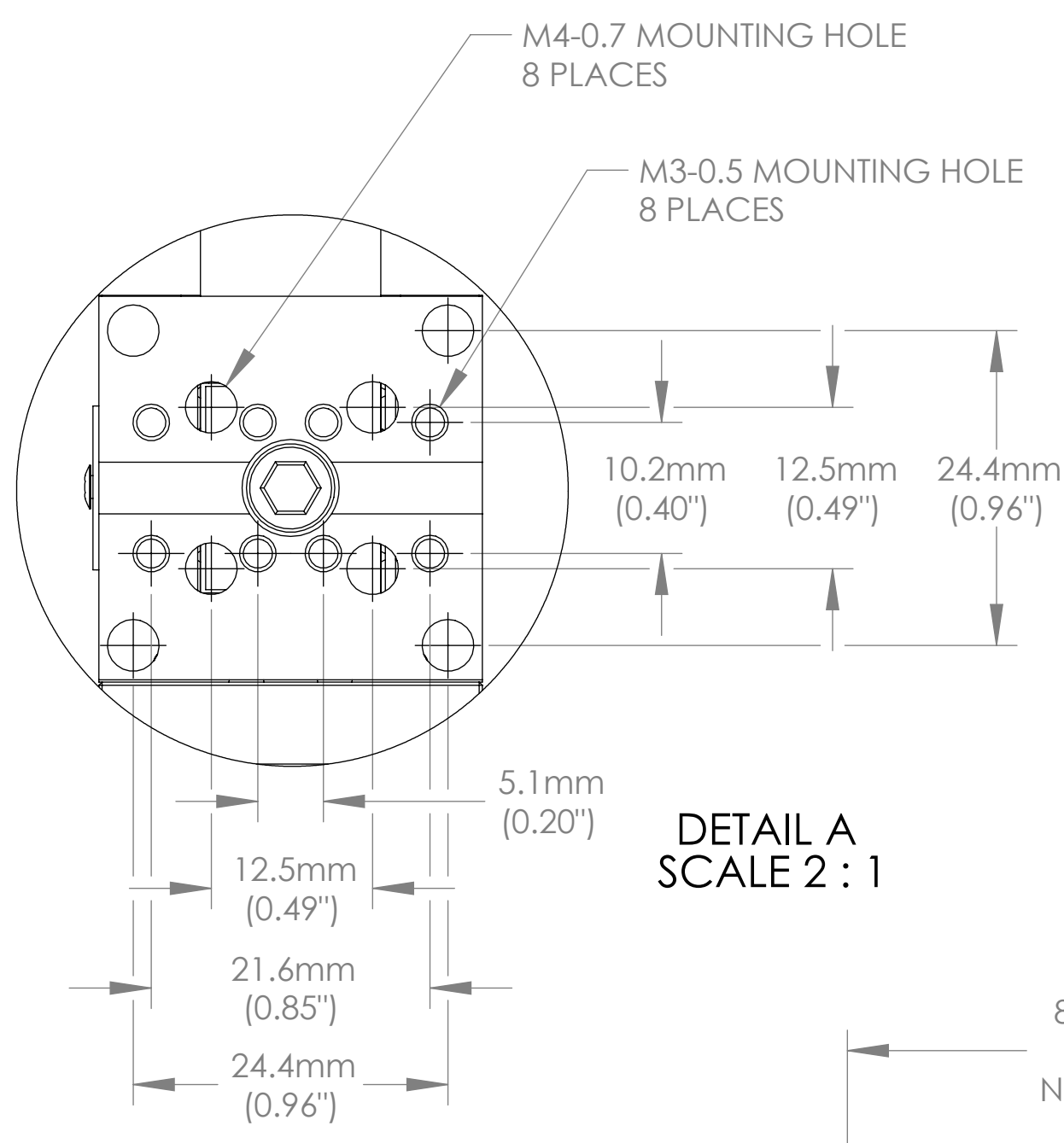
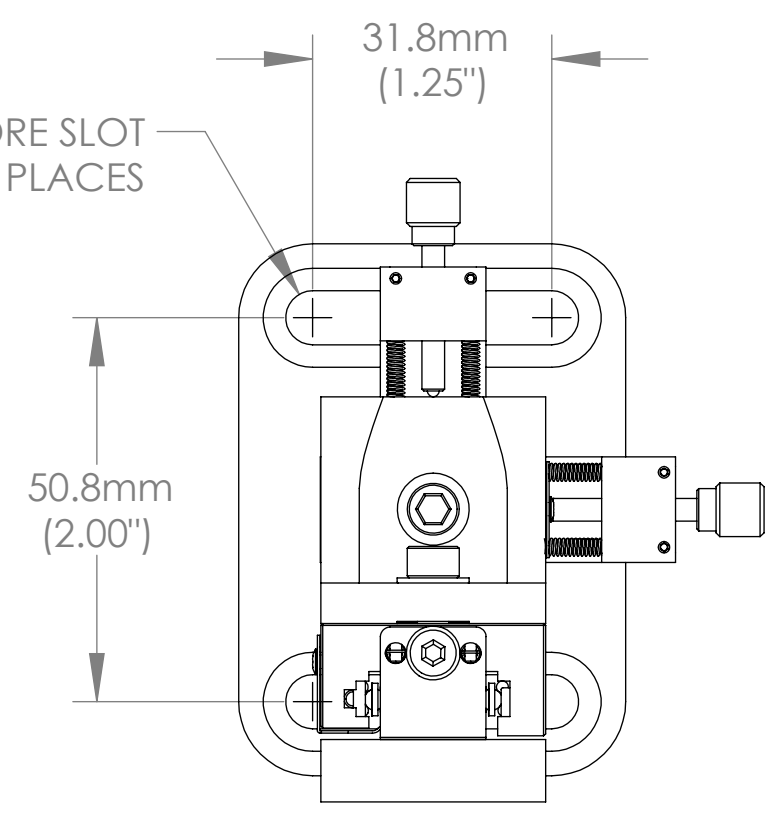
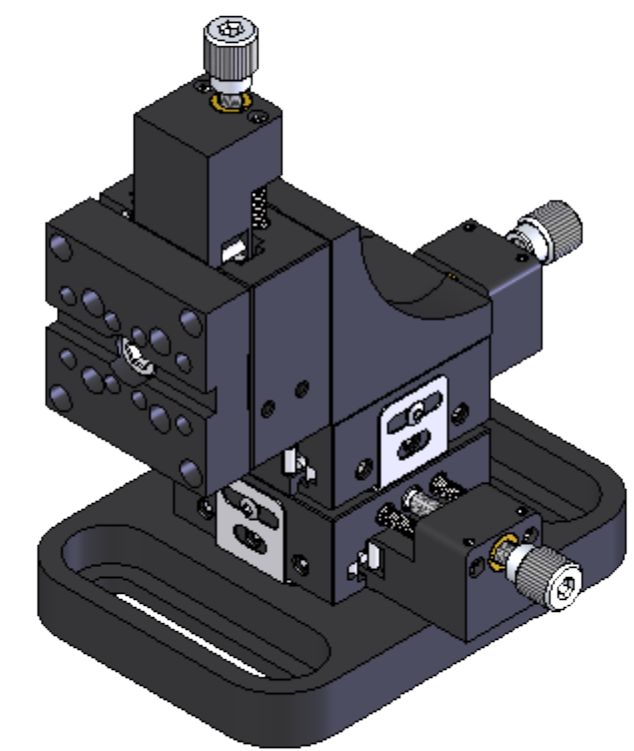


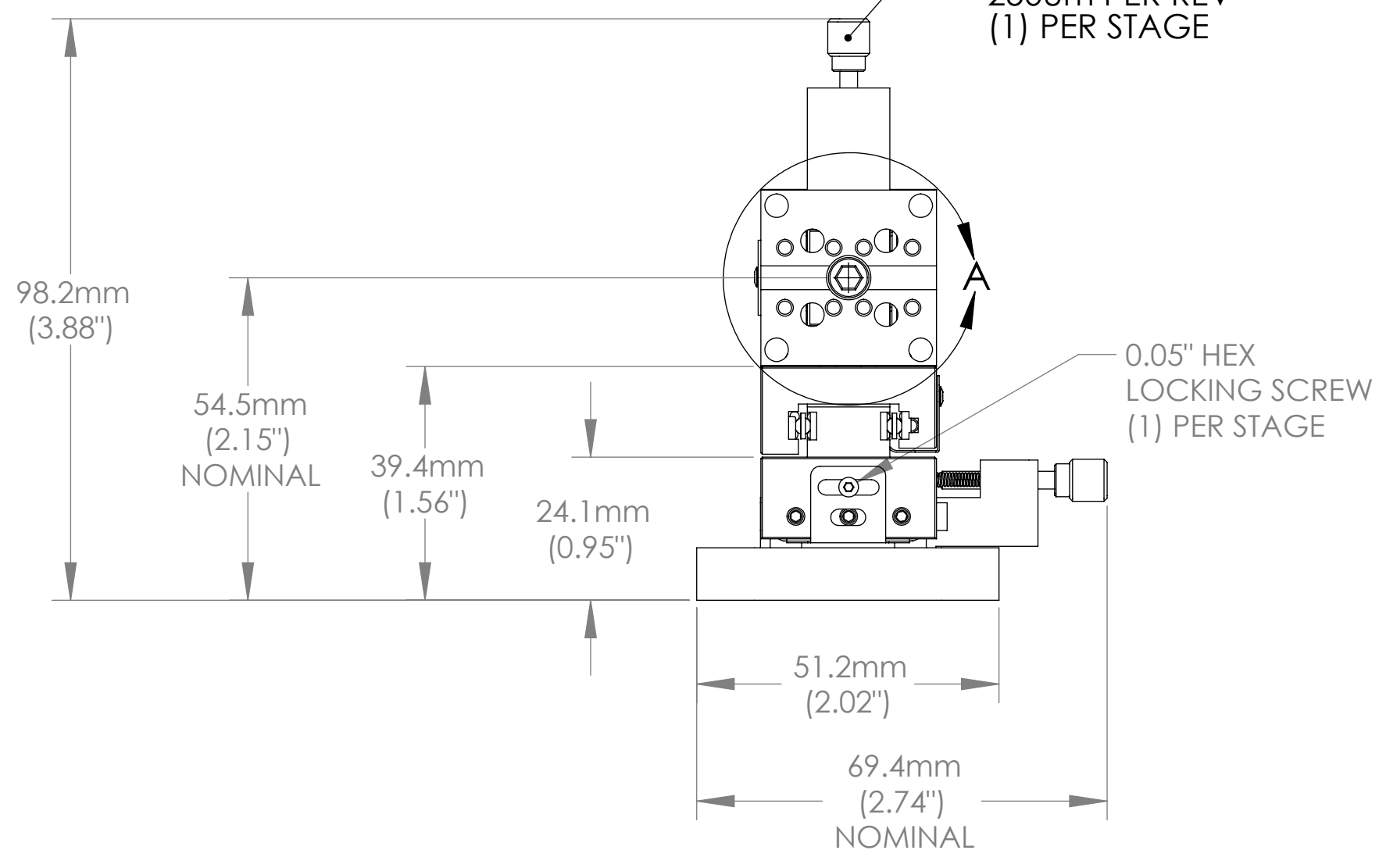
M6 (1/4"-20) COUNTERBORE SLOT
2 PLACES



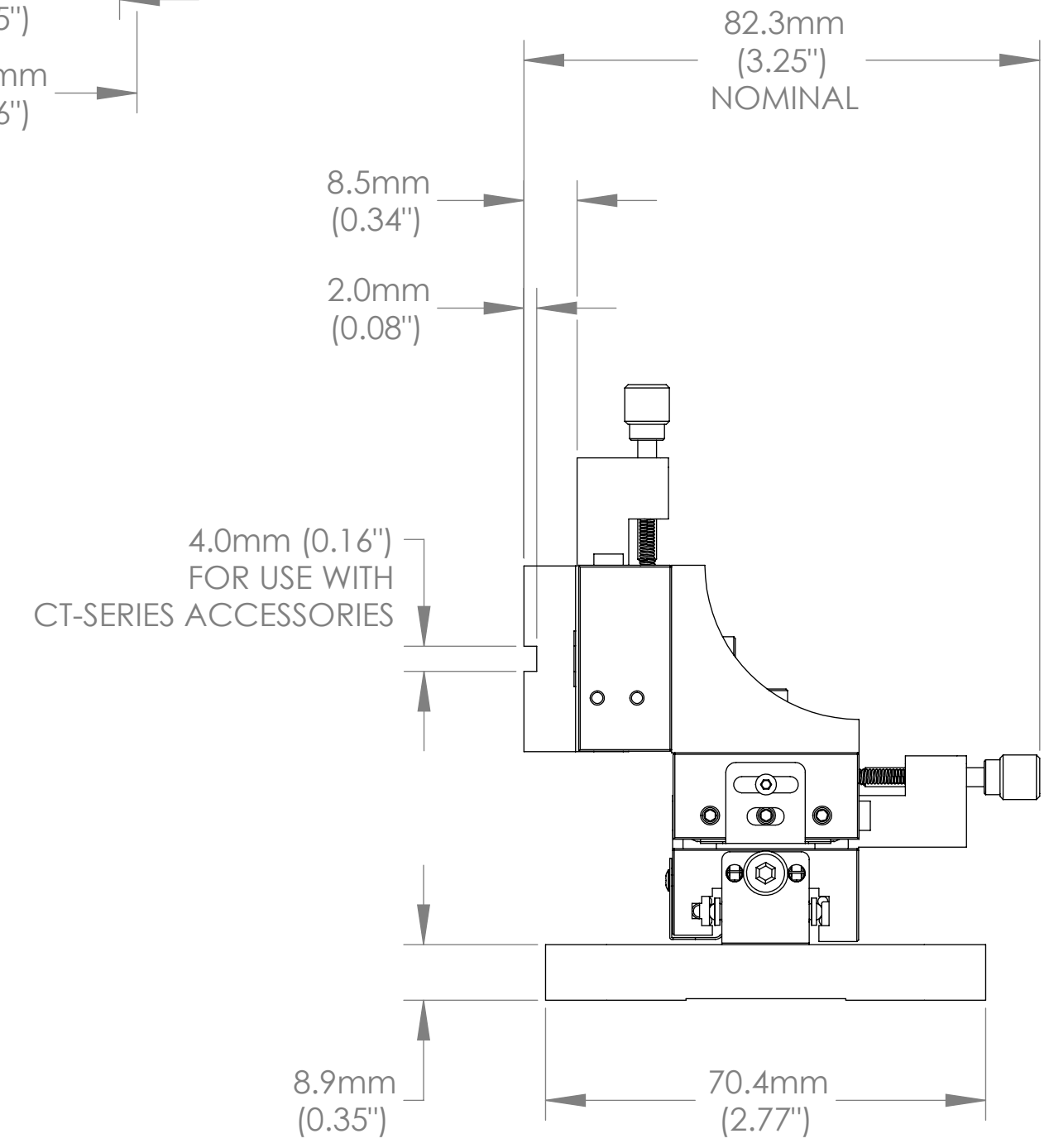
DETAIL A
SCALE 2 : 1



M3-0.25 FINE ADJUSTMENT LEAD SCREW
6.4mm (0.25") TOTAL TRAVEL
250um PER REV
(1) PER STAGE



0.05" HEX
LOCKING SCREW
(1) PER STAGE



	NAME	DATE
DRAWN	DAH	10/04/02
ENG APPR.	DAH	10/04/02
MFG APPR.	TC	10/04/02

PROPRIETARY AND CONFIDENTIAL
THE INFORMATION CONTAINED IN THIS DRAWING IS THE SOLE PROPERTY OF THORLABS, INC. ANY REPRODUCTION IN PART OR AS A WHOLE WITHOUT THE WRITTEN PERMISSION OF THORLABS, INC. IS PROHIBITED.

THORLABS INC.		PO BOX 366 NEWTON NJ	
TITLE: METRIC 1/4" TRAVEL XYZ TRANSLATION STAGE			
MATERIAL: N/A		SIZE C	REV D
SCALE: 1:1		SHEET 1 OF 1	
DWG. NO. 6467-E01	PART NO. MS3/M		