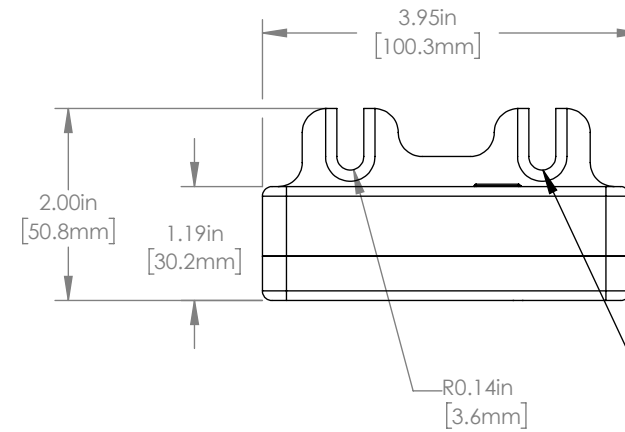


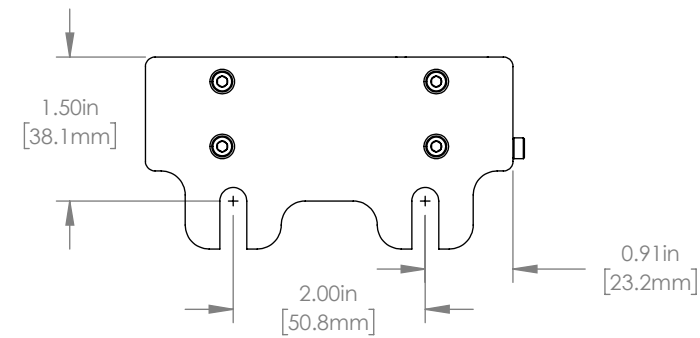
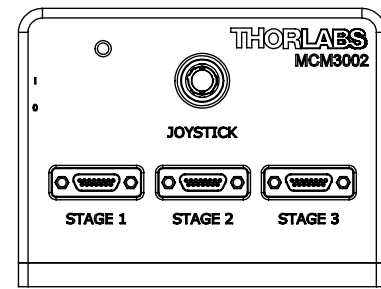
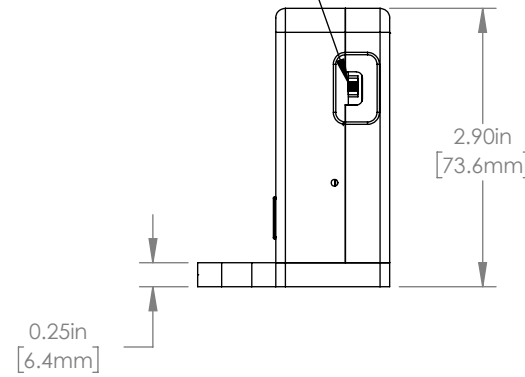
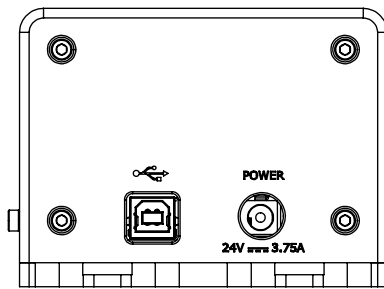
FOR INFORMATION ONLY
NOT FOR MANUFACTURING PURPOSES

DRAWING PROJECTION			THORLABS www.thorlabs.com	
NAME	DATE	3-AXIS CONTROLLER		
DRAWN TB	06/MAY/16	MATERIAL	N/A	REV B
APPROVAL PN	06/MAY/16	ITEM #	MCM3003	APPROX WEIGHT 0.78 kg
COPYRIGHT © 2016 BY THORLABS				
VALUES IN PARENTHESIS ARE CALCULATED AND MAY CONTAIN ROUND OFF ERRORS				



USE 1/4"-20 OR M6 CAP SCREWS FOR TABLE MOUNTING

POWER SWITCH



FOR INFORMATION ONLY
NOT FOR MANUFACTURING PURPOSES

DRAWING PROJECTION

	NAME	DATE
DRAWN	TB	06/MAY/16
APPROVAL	PN	06/MAY/16

COPYRIGHT © 2016 BY THORLABS

VALUES IN PARENTHESIS ARE CALCULATED AND MAY CONTAIN ROUND OFF ERRORS

THORLABS
www.thorlabs.com

3-AXIS CONTROLLER

MATERIAL	ITEM #	APPROX WEIGHT	REV
N/A	MCM3003	0.34 kg	B