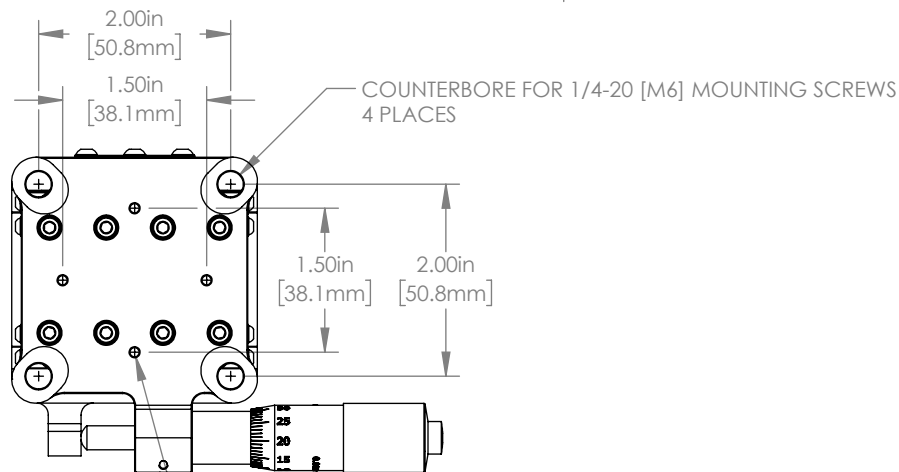
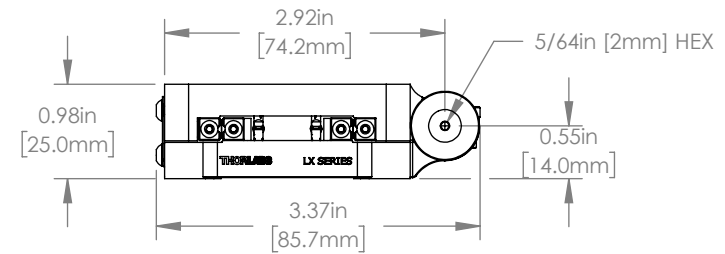
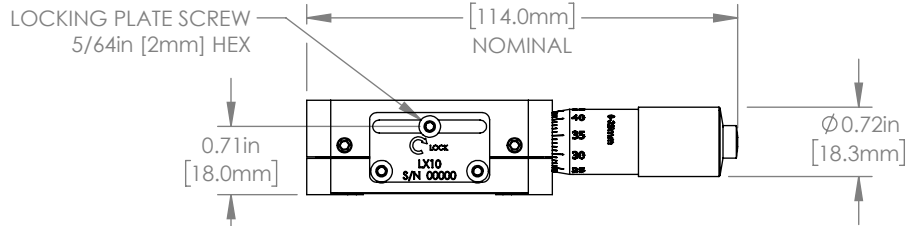
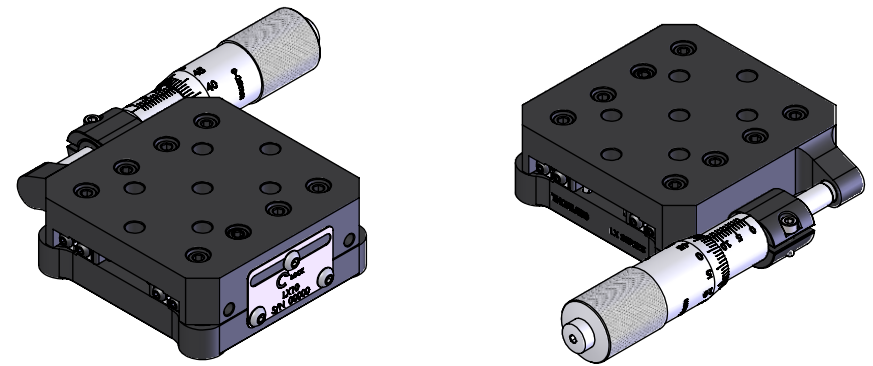
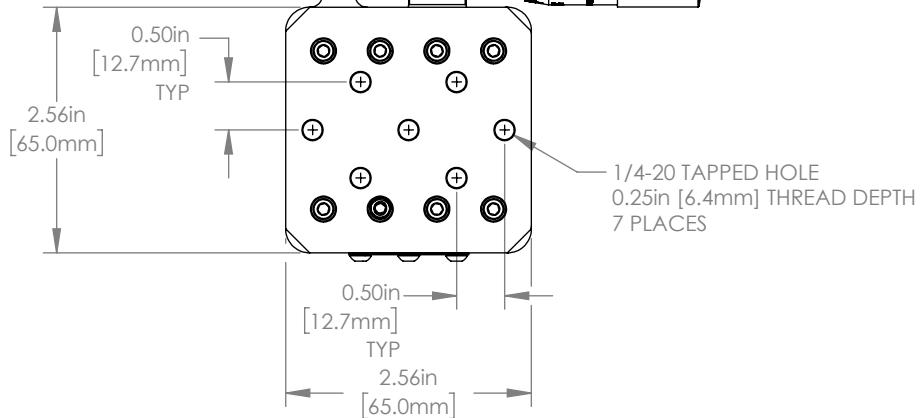


MICROMETER LOCKING SCREW  
5/64in [2mm] HEX

150-801ME-H MICROMETER HEAD  
(REMOVABLE)  
+/- 12.5mm RANGE



Ø0.095in [Ø2.4mm] ALIGNMENT HOLES  
FOR USE WITH 3/32 DOWEL PINS  
4 PLACES  
(NOT INCLUDED)

FOR INFORMATION ONLY  
NOT FOR MANUFACTURING PURPOSES

DRAWING PROJECTION			<b>THORLABS</b> www.thorlabs.com	
NAME	DATE	25mm LINEAR CROSSED ROLLER BEARING STAGE		
DRAWN	PG	16/MAR/17	REV B	
APPROVAL	AK	17/MAR/17	MATERIAL	N/A
COPYRIGHT © 2018 BY THORLABS			ITEM #	LX10
VALUES IN PARENTHESIS ARE CALCULATED AND MAY CONTAIN ROUND OFF ERRORS			APPROX WEIGHT	0.52 kg