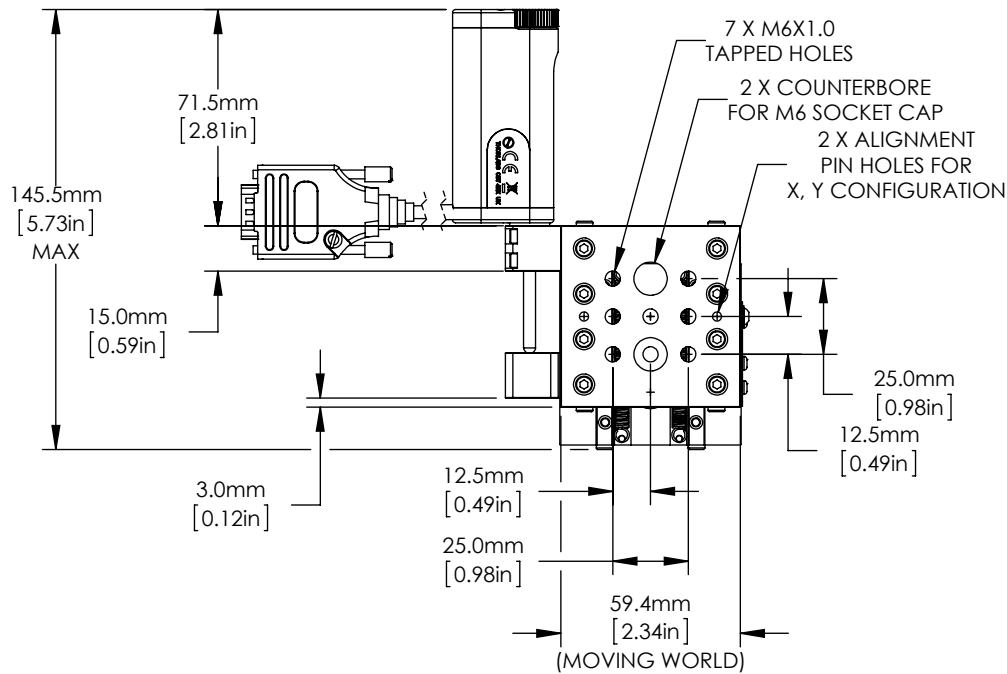
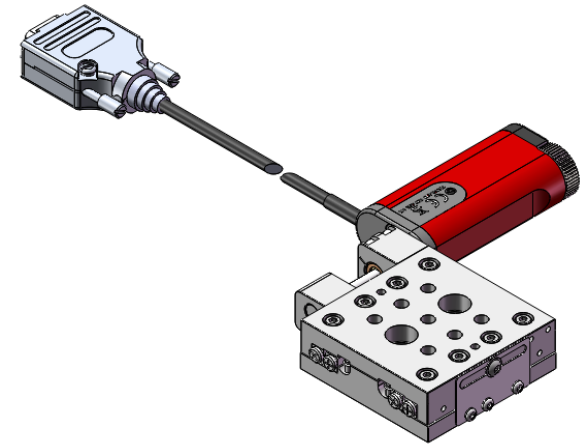
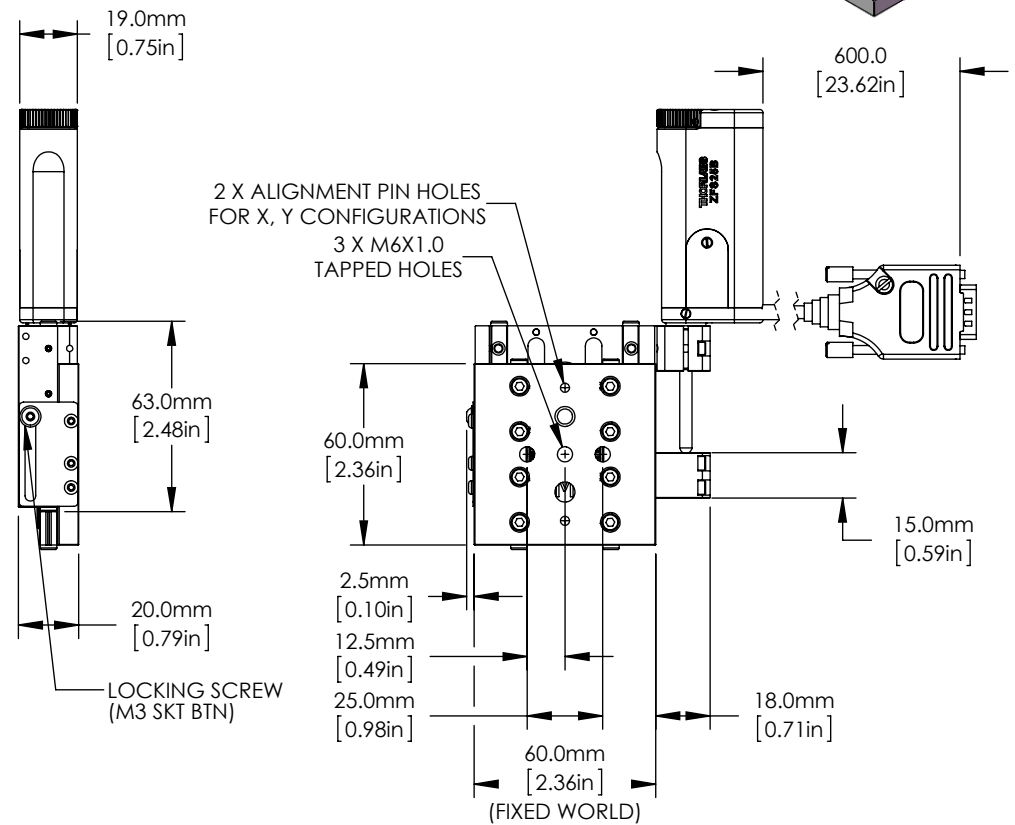


TOP VIEW AT MINIMUM TRAVEL



TOP VIEW AT MAXIMUM TRAVEL



FOR INFORMATION ONLY
NOT FOR MANUFACTURING PURPOSES

DRAWING PROJECTION			THORLABS www.thorlabs.com	
NAME	DATE	25mm TRAVELMAX STAGE WITH ZFS ACTUATOR DRIVE		
DRAWN LF	09/FEB/2015	MATERIAL		REV A
APPROVAL SP	09/FEB/2015	N/A		
COPYRIGHT © 2015 BY THORLABS		ITEM #	APPROX WEIGHT	
VALUES IN PARENTHESIS ARE CALCULATED AND MAY CONTAIN ROUND OFF ERRORS		LNR25ZFS/M	0.73 kg	