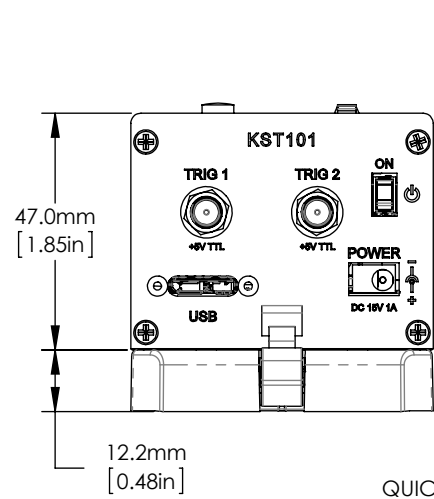
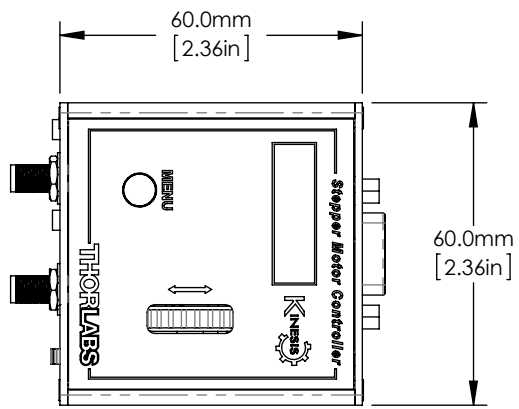
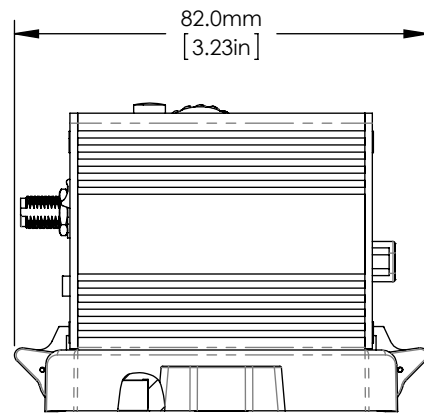


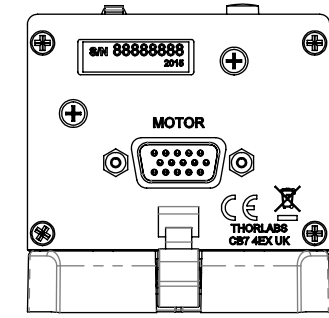
ADAPTER PLATE



QUICK RELEASE CLAMPS



MAGNET FOR BRIEF PLACEMENT



FOR INFORMATION ONLY  
NOT FOR MANUFACTURING PURPOSES

DRAWING PROJECTION				<b>THORLABS</b> www.thorlabs.com	
NAME	DATE	KINESIS STEPPER CONTROLLER			
DRAWN	SP	02/FEB/16	MATERIAL		REV
APPROVAL	DC	02/FEB/16	N/A		A
COPYRIGHT © 2015 BY THORLABS					
VALUES IN PARENTHESIS ARE CALCULATED AND MAY CONTAIN ROUND OFF ERRORS					
ITEM #		KST101		APPROX WEIGHT	
				0.14 kg	