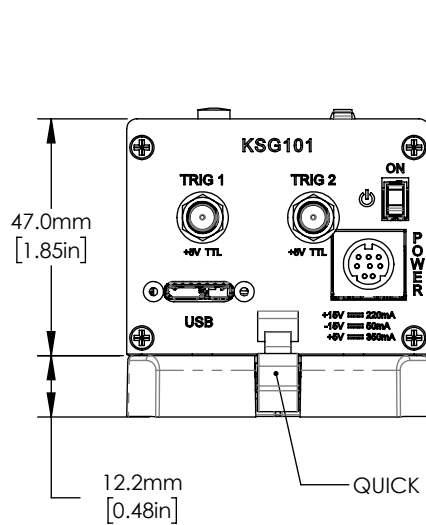
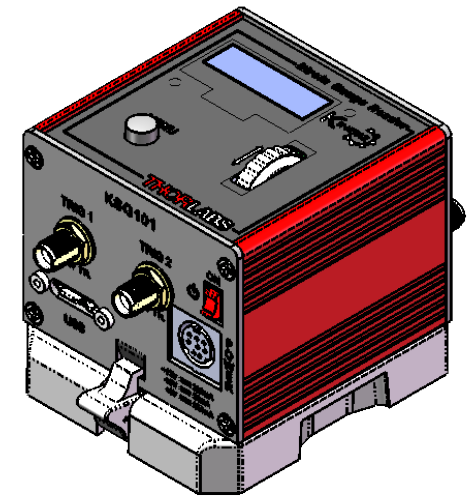
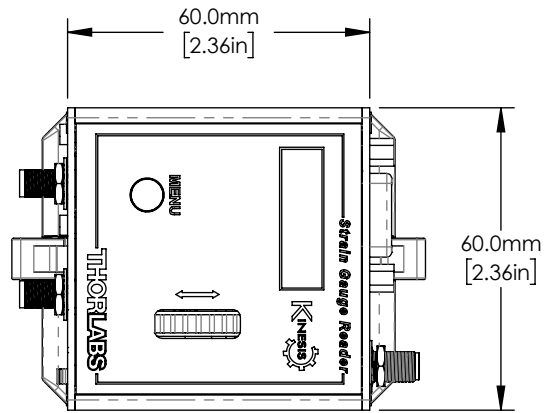
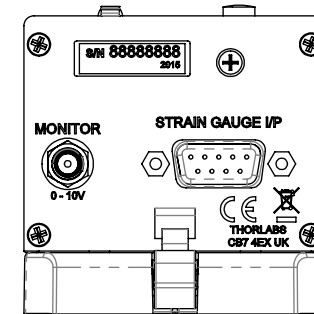
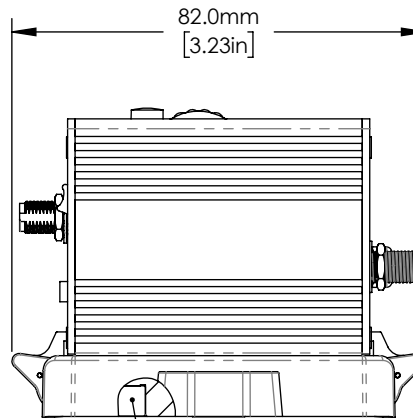


ADAPTER PLATE



QUICK RELEASE CLAMPS

MAGNET FOR BRIEF PLACEMENT



FOR INFORMATION ONLY
NOT FOR MANUFACTURING PURPOSES

DRAWING PROJECTION					THORLABS www.thorlabs.com	
NAME	DATE	KINESIS STRAIN GAUGE READER				
DRAWN	SP	13/09/2016	MATERIAL			
APPROVAL	DC	13/09/2016	N/A			
COPYRIGHT © 2016 BY THORLABS						
VALUES IN PARENTHESIS ARE CALCULATED AND MAY CONTAIN ROUND OFF ERRORS						
ITEM #	KSG101		APPROX WEIGHT		REV	
			0.13 kg		A	