

COUNTERBORE FOR M6x1.0 SCREW - 2 PLACES

M4x0.7 THRU - 4 PLACES

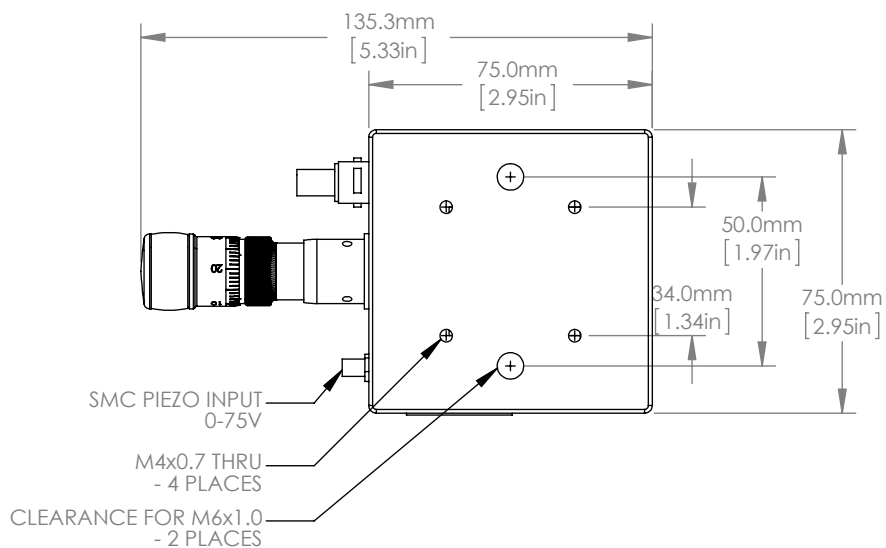
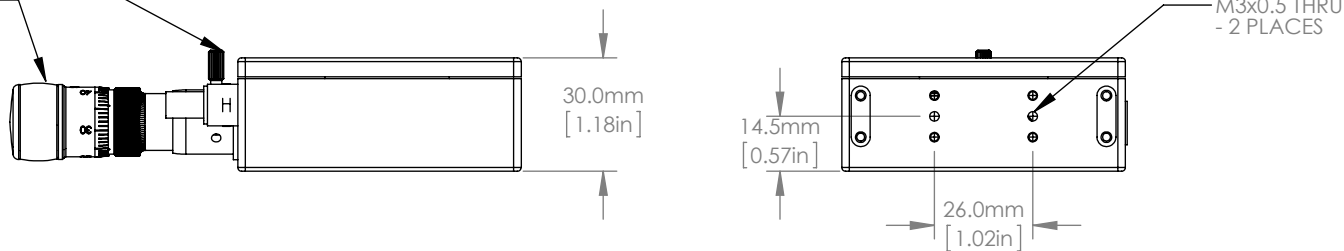
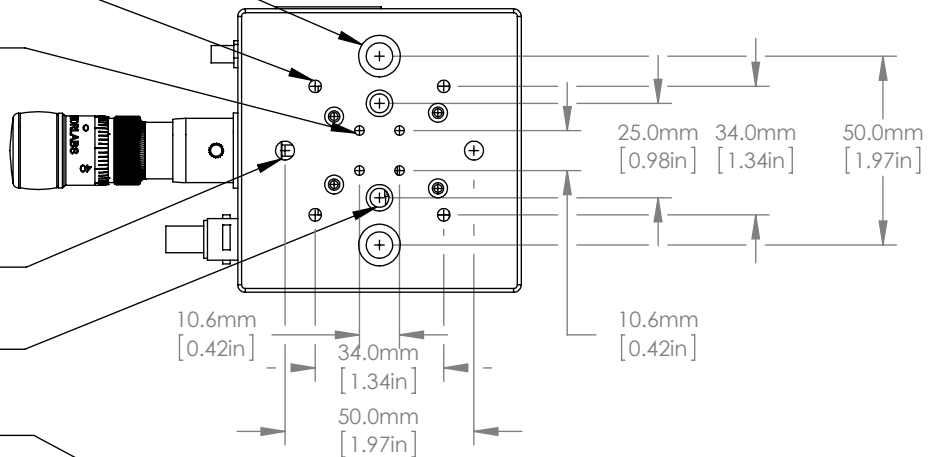
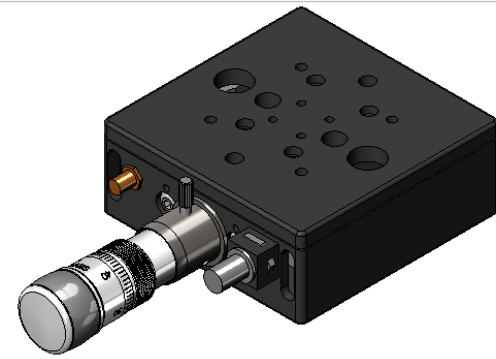
M3x0.5 THRU - 4 PLACES

M6x1.0 THRU - 2 PLACES

M6x1.0 THRU - 2 PLACES

LOCK SCREW

DRV3 DIFFERENTIAL ADJUSTER



FOR INFORMATION ONLY
NOT FOR MANUFACTURING PURPOSES

DRAWING PROJECTION			THORLABS www.thorlabs.com	
NAME	DATE	NanoFlex 5mm - 20um Piezo		REV
DRAWN	DC	22/MAR/11	MATERIAL	A
APPROVAL	AKM	24/MAR/11	N/A	
COPYRIGHT © 2011 BY THORLABS				
VALUES IN PARENTHESIS ARE CALCULATED AND MAY CONTAIN ROUND OFF ERRORS			ITEM #	APPROX WEIGHT
			NFL5DP20-M	0.75kg