

COUNTERBORE FOR 1/4-20 UNC SCREW - 2 PLACES

#8-32 UNC THRU - 4 PLACES

#6-32 UNC THRU - 4 PLACES

1/4-20 UNC THRU - 2 PLACES

1/4-20 UNC THRU - 2 PLACES

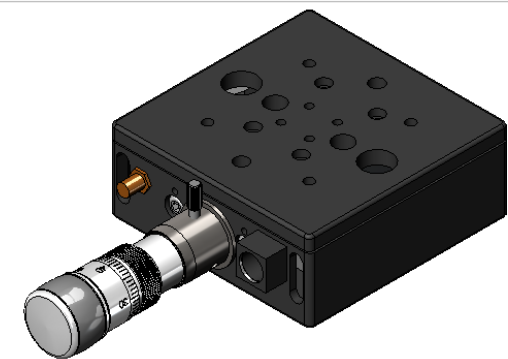
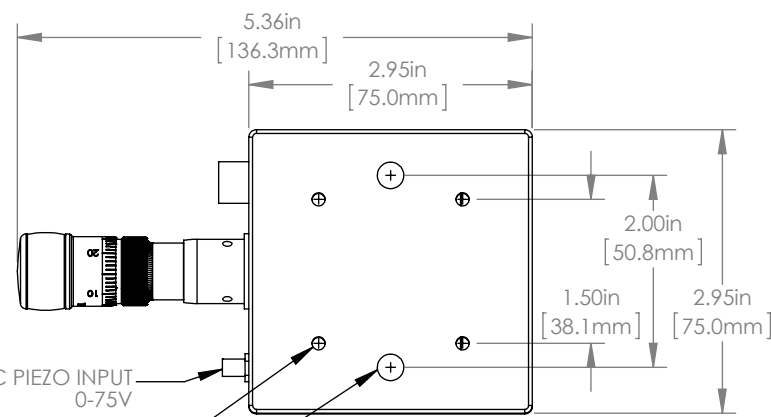
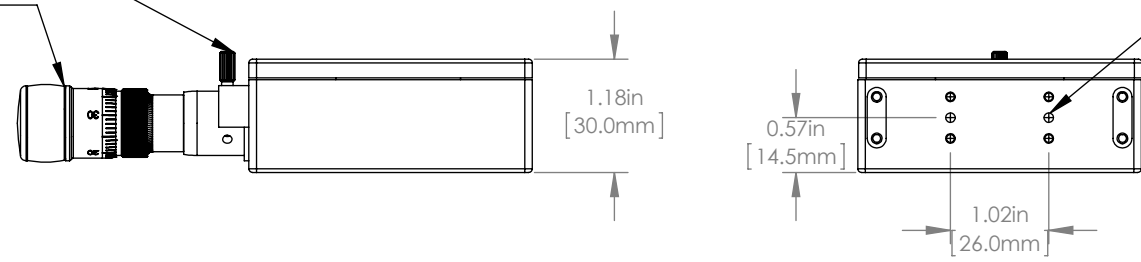
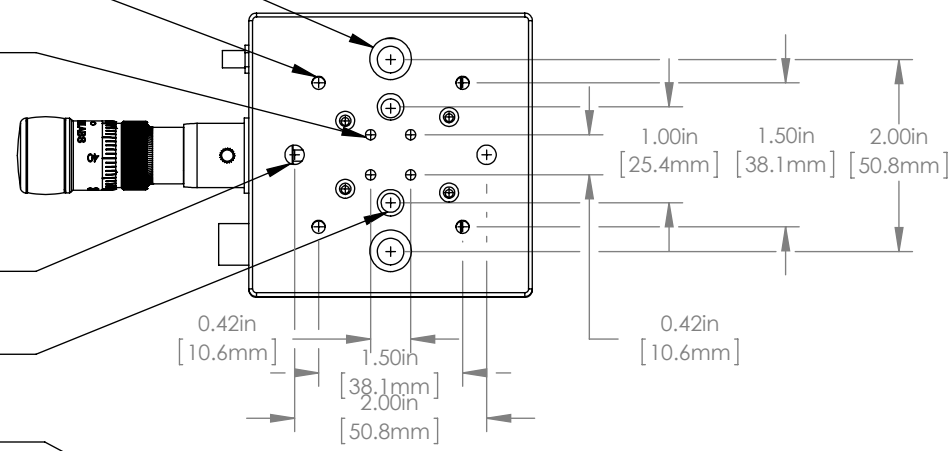
LOCK SCREW

DRV3 DIFFERENTIAL ADJUSTER

SMC PIEZO INPUT 0-75V

#8-32 UNC THRU - 4 PLACES

CLEARANCE FOR 1/4-20 UNC - 2 PLACES



FOR INFORMATION ONLY
NOT FOR MANUFACTURING PURPOSES

DRAWING PROJECTION

	NAME	DATE
DRAWN	DC	22/MAR/11
APPROVAL	AKM	24/MAR/11

COPYRIGHT © 2011 BY THORLABS
VALUES IN PARENTHESIS ARE CALCULATED AND MAY CONTAIN ROUND OFF ERRORS

THORLABS www.thorlabs.com	
NanoFlex 5mm - 20um Piezo	
MATERIAL	N/A
ITEM #	NFL5DP20
APPROX WEIGHT	0.75kg