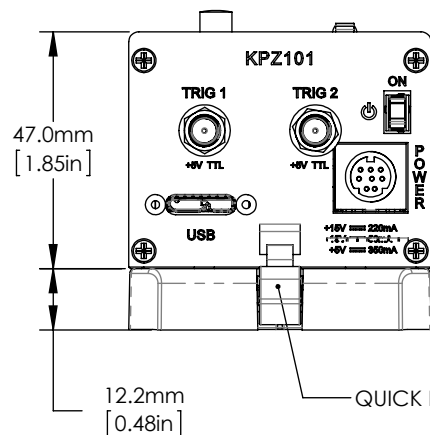
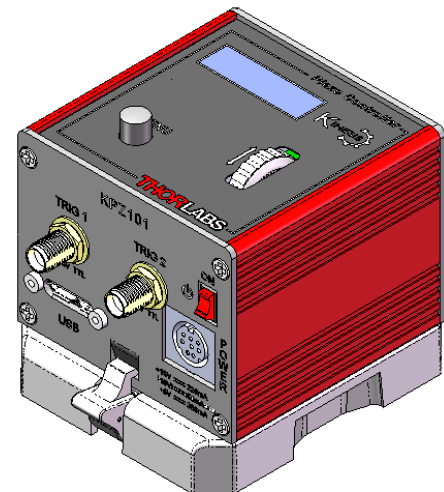
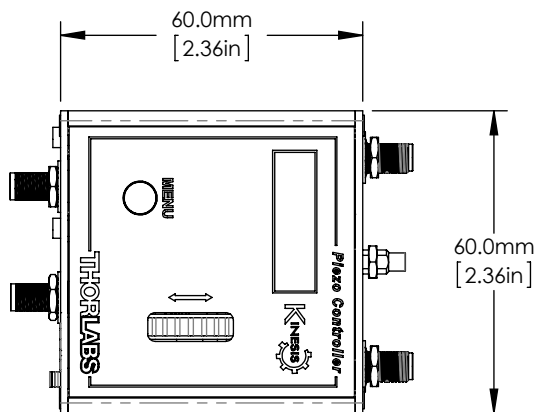
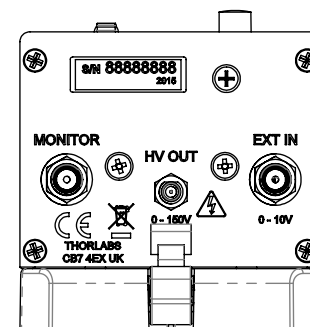
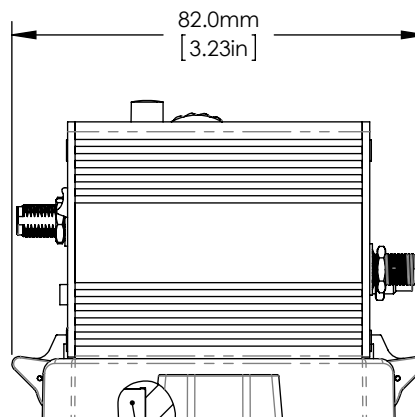


ADAPTER PLATE



QUICK RELEASE CLAMPS

MAGNET FOR BRIEF PLACEMENT



FOR INFORMATION ONLY
NOT FOR MANUFACTURING PURPOSES

DRAWING PROJECTION					THORLABS www.thorlabs.com	
NAME	DATE	KINESIS PIEZO MOTOR CONTROLLER				
DRAWN	SP	02/FEB/16	MATERIAL		REV	A
APPROVAL	DC	02/FEB/16	N/A		ITEM #	KPZ101
COPYRIGHT © 2015 BY THORLABS			VALUES IN PARENTHESIS ARE CALCULATED AND MAY CONTAIN ROUND OFF ERRORS		APPROX WEIGHT	0.13 kg