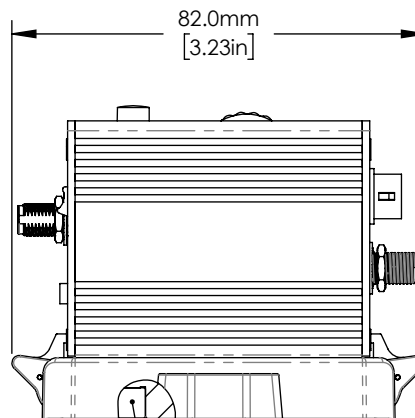
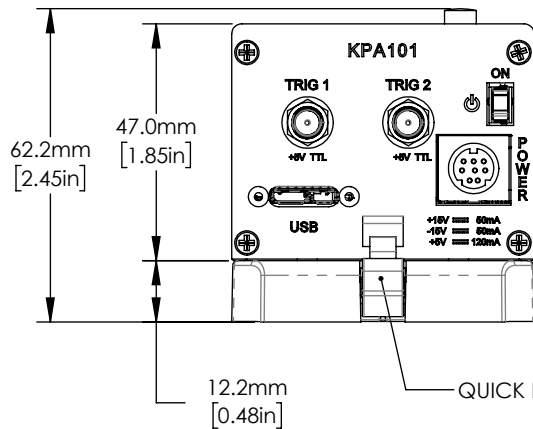
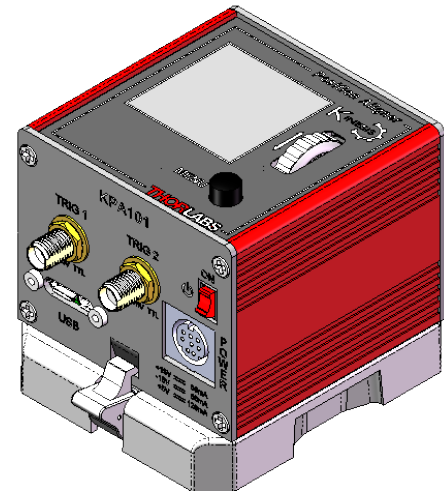
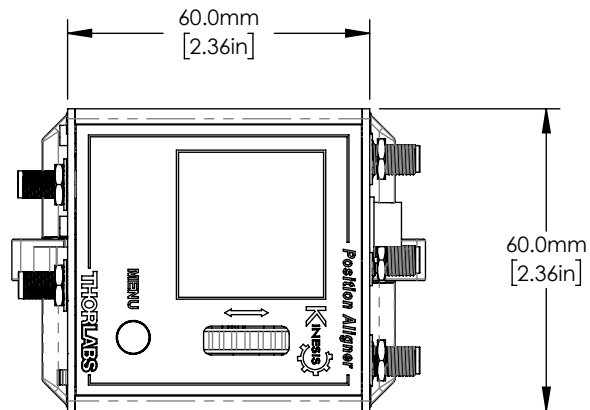
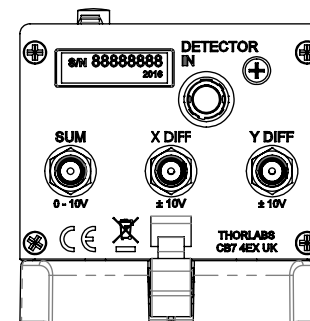


ADAPTER PLATE



MAGNET FOR BRIEF PLACEMENT



FOR INFORMATION ONLY
NOT FOR MANUFACTURING PURPOSES

DRAWING PROJECTION					THORLABS www.thorlabs.com	
NAME	DATE	KINESIS AUTO-ALIGNER PSD CONTROLLER				
DRAWN	SP	13/09/2016	MATERIAL		REV	A
APPROVAL	DC	13/09/2016	N/A		ITEM #	KPA101
COPYRIGHT © 2016 BY THORLABS			VALUES IN PARENTHESIS ARE CALCULATED AND MAY CONTAIN ROUND OFF ERRORS		APPROX WEIGHT	0.18 kg