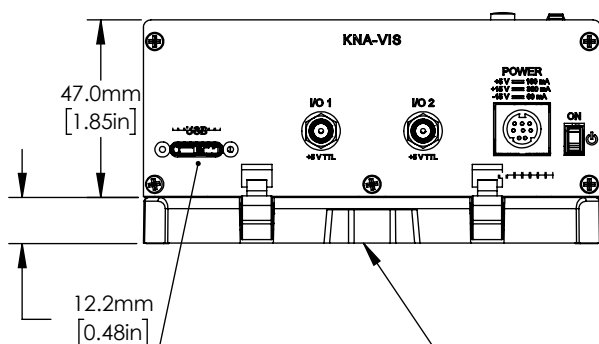
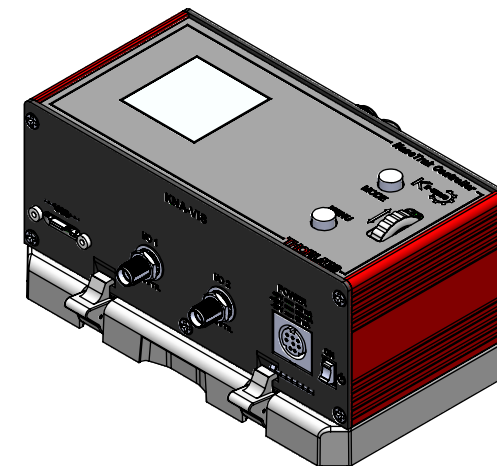


ADAPTER PLATE

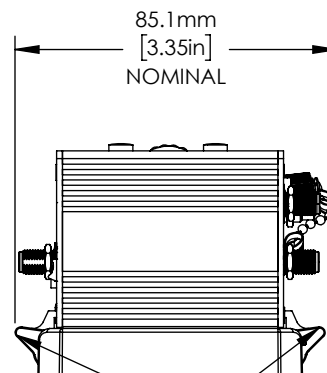
7.0mm [0.27in]
MOUNTING SLOTS FOR USE WITH M6 OR 1/4-20 SCREWS (2 PLACES)

15.0mm [0.59in]
8.2mm [0.32in] DEEP

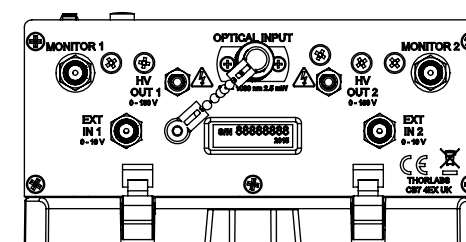


USB CABLE INCLUDED

MOUNTING MAGNETS ON THE UNDERSIDE OF ADAPTER PLATE FOR BRIEF PLACEMENT



QUICK RELEASE CLAMPS (4 PLACES)



FOR INFORMATION ONLY
NOT FOR MANUFACTURING PURPOSES

DRAWING PROJECTION					THORLABS www.thorlabs.com	
NAME	DATE					
DRAWN	I.K.	19/FEB/2019		MATERIAL N/A		
APPROVAL	S.P.	31/JUL/2019				REV B
COPYRIGHT © 2019 BY THORLABS					ITEM #	
VALUES IN PARENTHESIS ARE CALCULATED AND MAY CONTAIN ROUND OFF ERRORS					KNA-VIS	
					APPROX WEIGHT	
					0.45 kg	