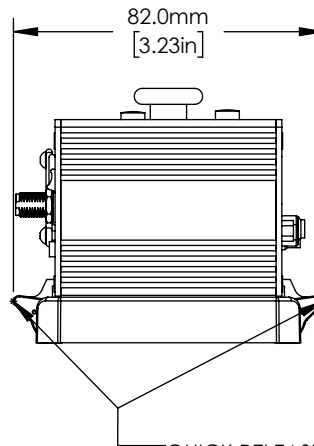
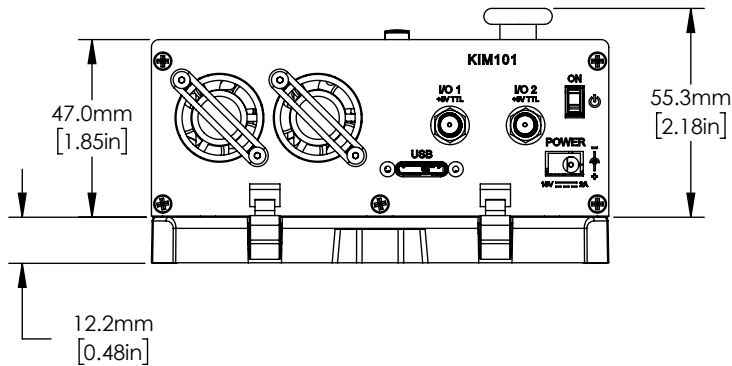
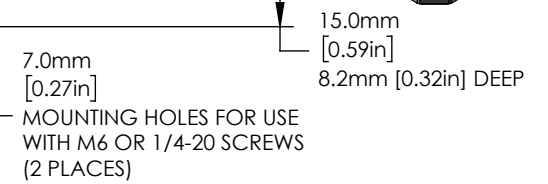
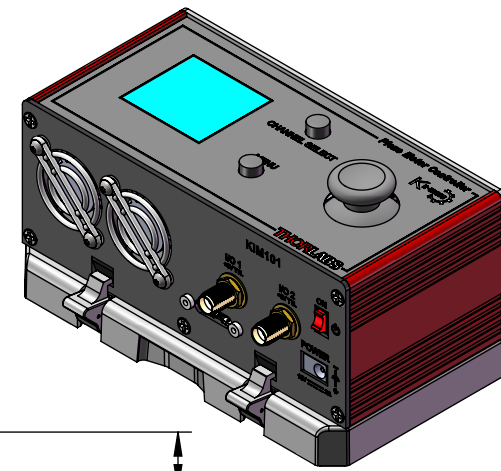
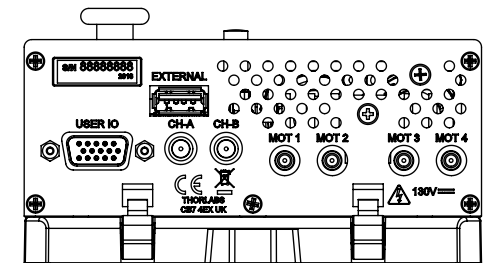


ADAPTER PLATE



QUICK RELEASE CLAMPS (4 PLACES)



FOR INFORMATION ONLY
NOT FOR MANUFACTURING PURPOSES

DRAWING PROJECTION

	NAME	DATE
DRAWN	IK	22/FEB/18
APPROVAL	SP	22/FEB/18

COPYRIGHT © 2018 BY THORLABS

VALUES IN PARENTHESIS ARE CALCULATED AND MAY CONTAIN ROUND OFF ERRORS

THORLABS
www.thorlabs.com

KINESIS INERTIAL MOTOR CONTROLLER

MATERIAL N/A REV A

ITEM # KIM101 APPROX WEIGHT 0.4 kg